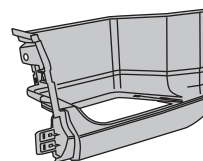
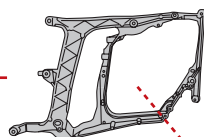


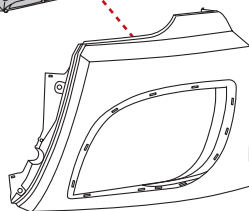
XF6/ 4 rh  
XF6/ 5 lh



XF6/240 rh  
XF6/241 lh



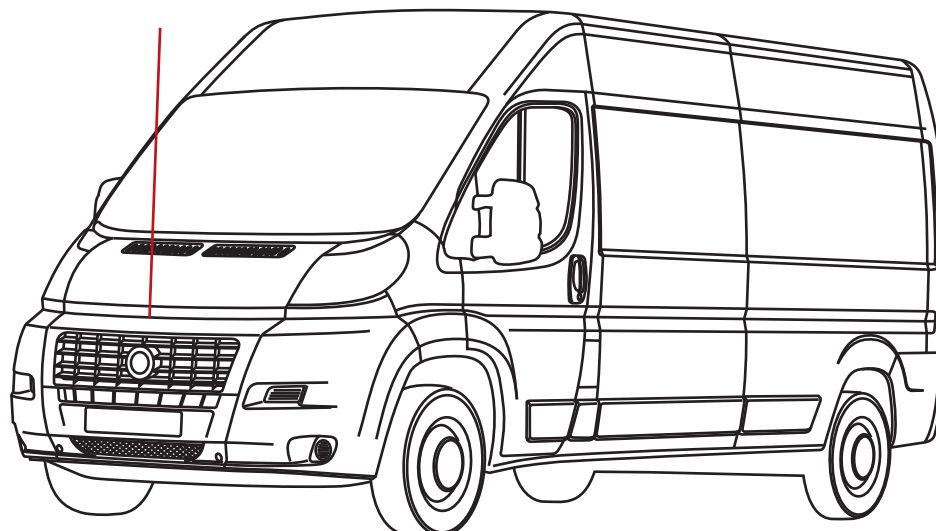
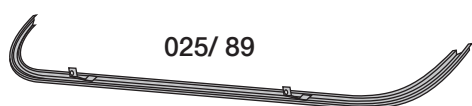
XF6/100 rh  
XF6/101 lh



Covind Code	O.E.M.	Description	Min. Q.ty
XF6/ 4	1835171	DOOR EXTENSION RH	-
XF6/ 5	1835170	DOOR EXTENSION LH	-
XF6/100	1798449	ALUMINIUM LAMP HOUSING, RH	-
XF6/101	1798448	ALUMINIUM LAMP HOUSING, LH	-
XF6/240	1948244	FOOTSTEP RH, WHITE	-
XF6/241	1948243	FOOTSTEP LH, WHITE	-
	1798461		

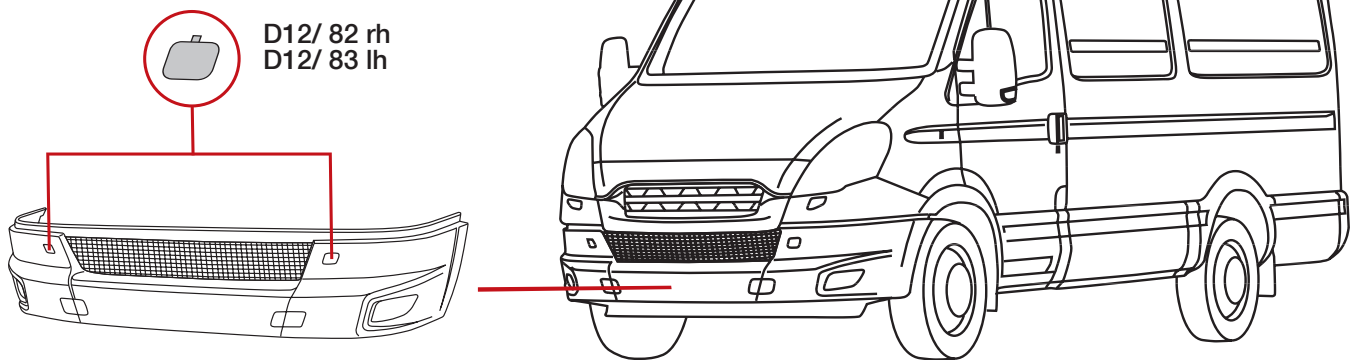


July 2014 | 1<sup>st</sup> half



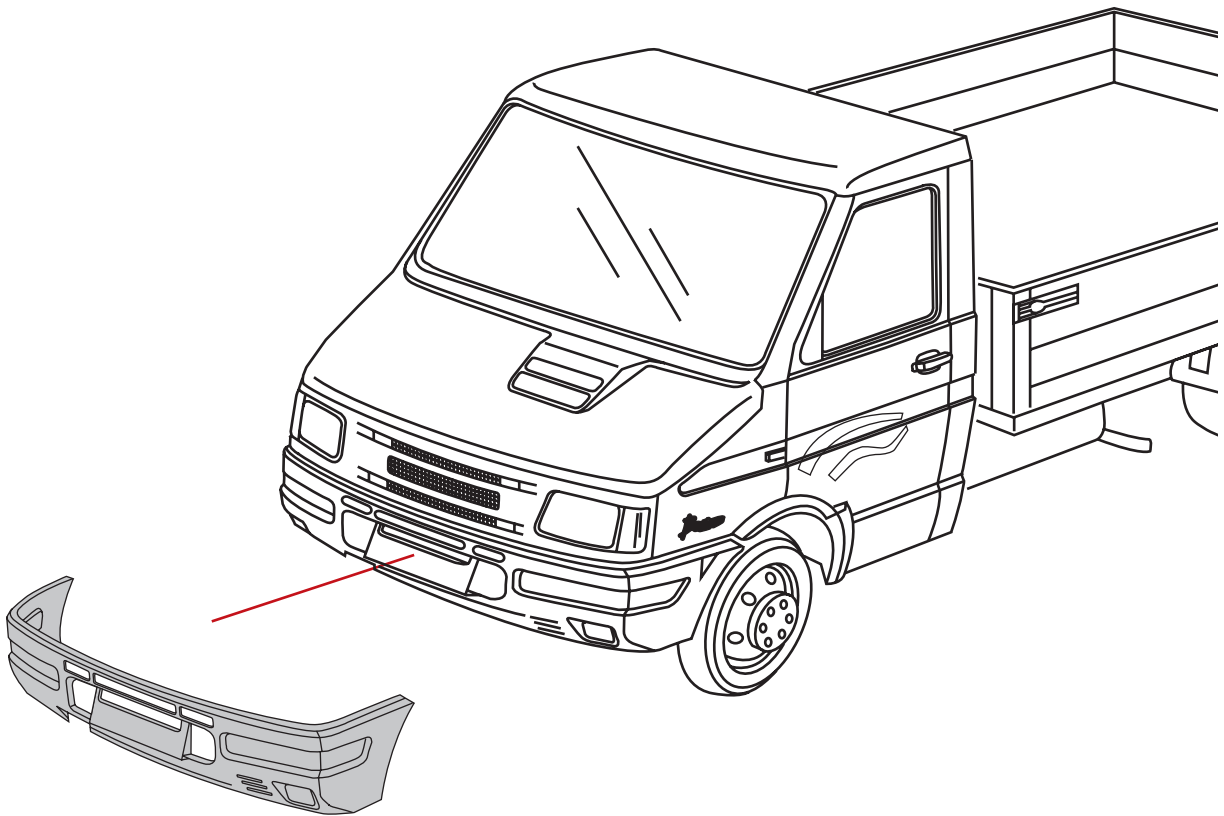
Covind Code	O.E.M.	Description	Min. Q.ty
<b>025/ 89</b>	1375616080 1347922080	STEEL BAR	-





Covind Code	O.E.M.	Description	Min. Q.ty
D12/ 82	5801362626	BUMPER COVER RH	10
D12/ 83	5801350677	BUMPER COVER LH	10





938/055

Covind Code	O.E.M.	Description	Min. Q.ty
938/055	93936915	BUMPER (DARK GRAY, IN REINFORCED PP)	-

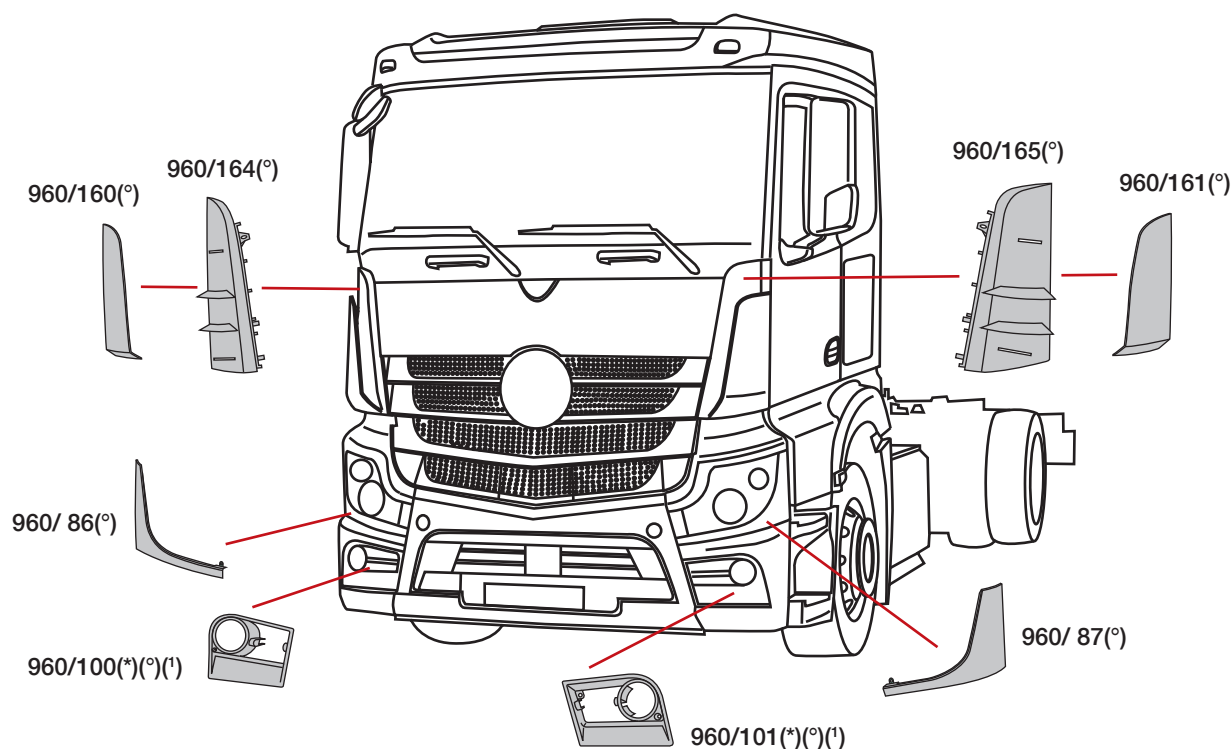




July 2014 | 1<sup>st</sup> half

Suitable for:

- . (°) Actros 4 Classic Space 1
- . (°) Actros 4 Classic Space 2
- . (°) Actros 4 Stream Space 2
- . (°) Actros 4 Stream Space 3
- . (\*) Actros 4 Stream Space 1
- . (!) Actros 4 Big Space

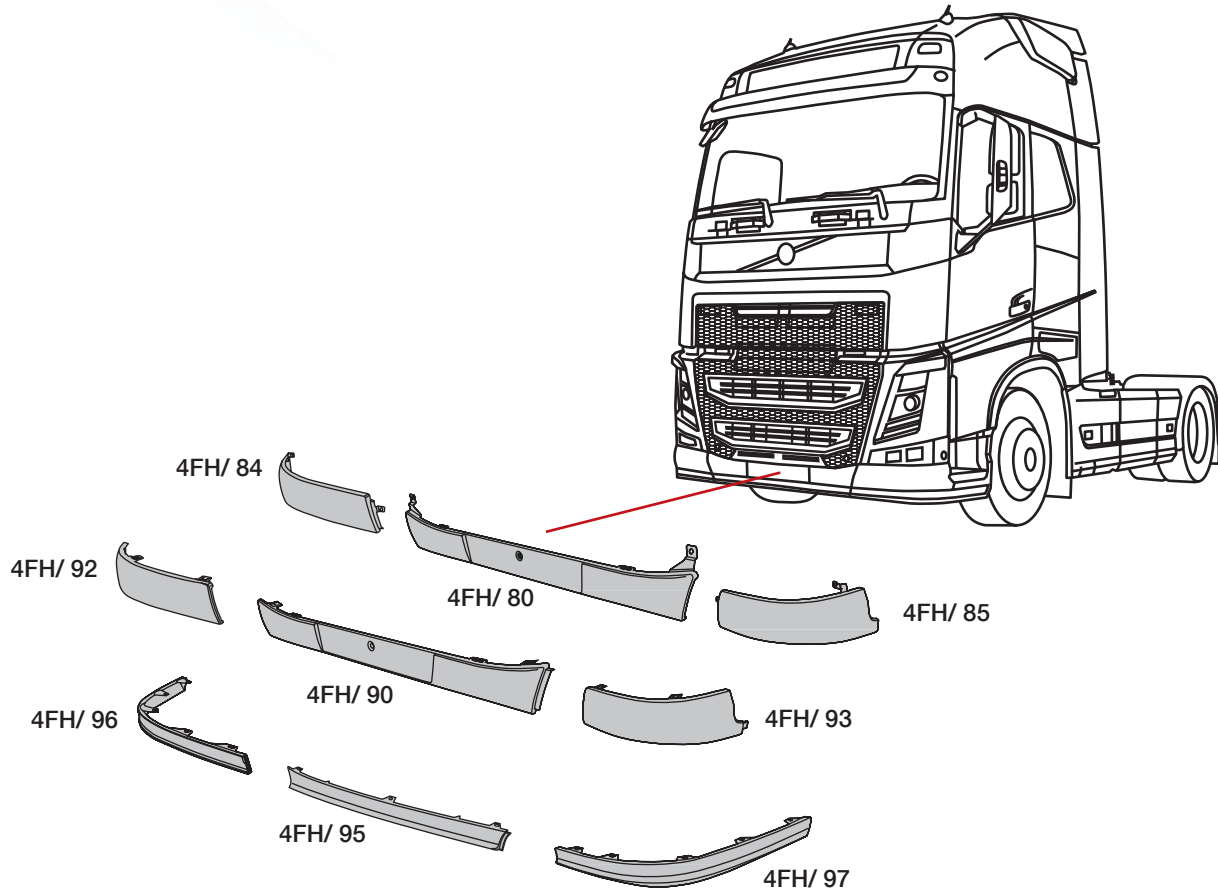


Covind Code	O.E.M.	Description	Min. Q.ty
960/ 86	9608803705-9135	LOWER EXTENSION RH	-
960/ 87	9608803605-9135	LOWER EXTENSION LH	-
960/100	9608853974	FOG LAMP HOUSING RH	-
960/101	9608853874	FOG LAMP HOUSING LH	-
960/160	9607511130	FRONT PANEL RH	-
960/161	9607511030	FRONT PANEL LH	-
960/164	9607510530	AIR DEFLECTOR RH	-
960/165	9607510430	AIR DEFLECTOR LH	-



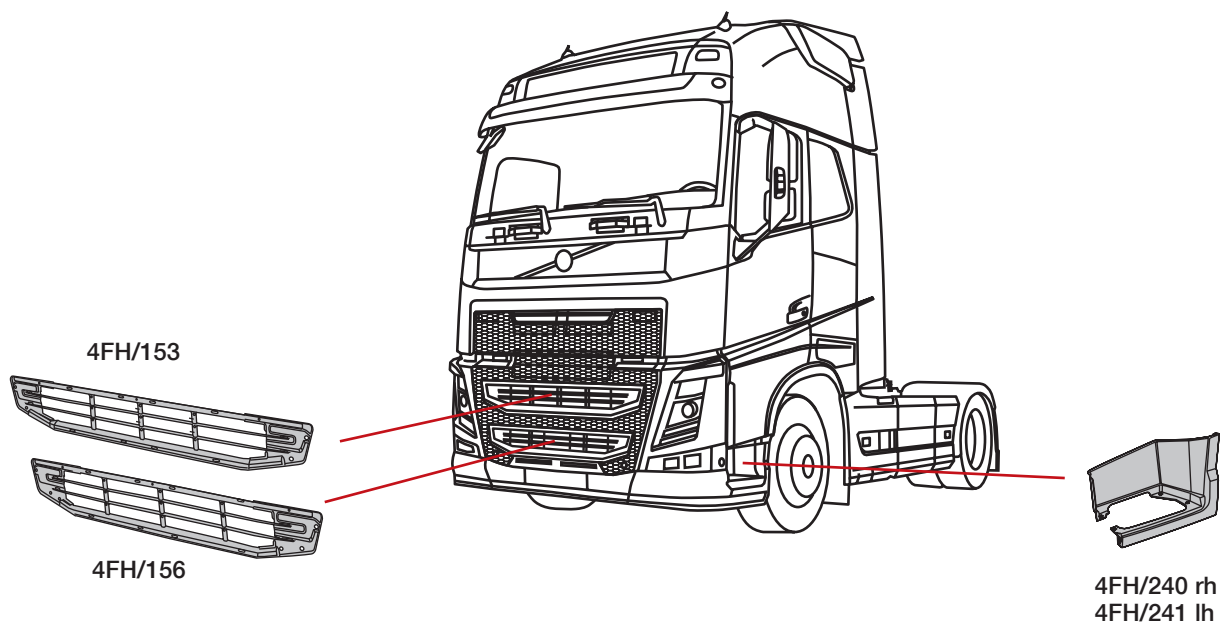


July 2014 | 1<sup>st</sup> half



Covind Code	O.E.M.	Description	Min. Q.ty
4FH/ 80	21838943	BUMPER GRAY (METAL)	-
4FH/ 84	21838945	BUMPER GRAY RH, (METAL)	-
4FH/ 85	21838944	BUMPER GRAY LH, (METAL)	-
4FH/ 90	21316576	BUMPER GRAY (PLASTIC)	-
4FH/ 92	21316577	BUMPER GRAY RH, (PLASTIC)	-
4FH/ 93	21316575	BUMPER GRAY LH, (PLASTIC)	-
4FH/ 95	21495267	LOWER SPOILER, BLACK	-
4FH/ 96	21495268	LOWER SPOILER RH, BLACK	-
4FH/ 97	21495266	LOWER SPOILER LH, BLACK	-



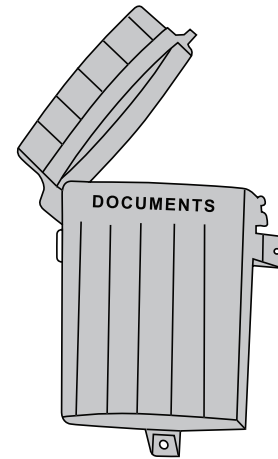
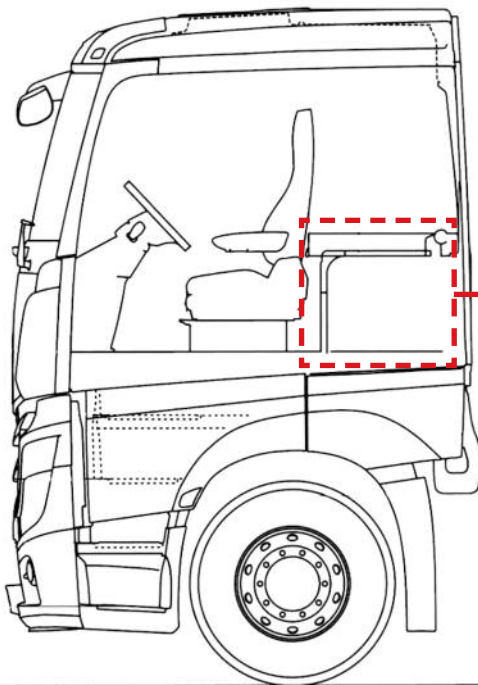
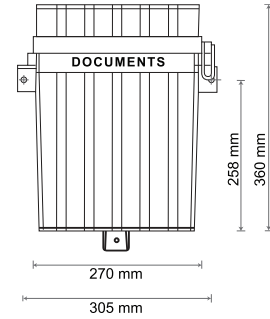


Covind Code	O.E.M.	Description	Min. Q.ty
4FH/153	82258426	UPPER GRILLE BLACK (METAL)	-
4FH/156	82255346 82208510	LOWER GRILLE BLACK (METAL)	-
4FH/240	82142373	FOOTBOARD RH	-
4FH/241	82141971	FOOTBOARD LH	-



July 2014 | 1<sup>st</sup> half

Suitable for:  
 . Universal



PDS/360

Covind Code	O.E.M.	Description	Min. Q.ty
PDS/360	-	DOCUMENT HOLDER	3

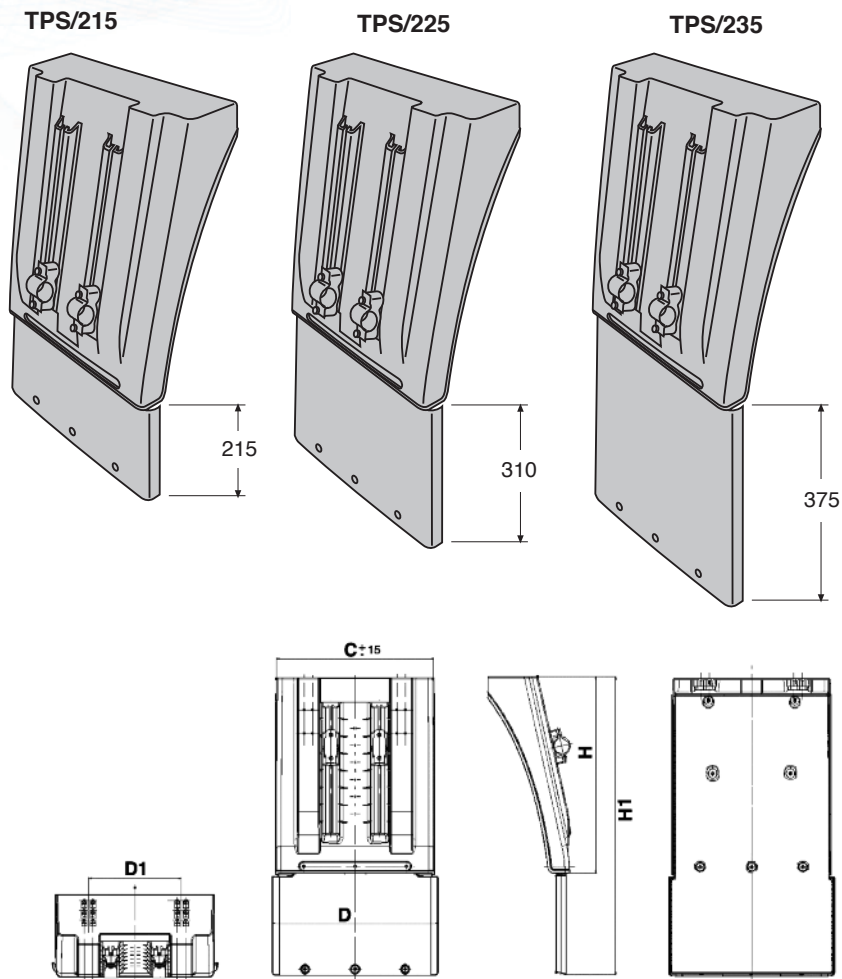




# ACCESSORI TPS universal rear bumpers

July 2014 | 1<sup>st</sup> half

Suitable for:  
 . Universal



Covind Ref.	Dimensions (mm)											Weight Kg.
	A	B	C	D	D1	F	G	H	H1	S		
TPS/215	-	-	490	514	288	-	-	608	825	-	2,340	
TPS/225	-	-	490	514	288	-	-	608	918	-	2,420	
TPS/235	-	-	490	514	288	-	-	608	984	-	3,950	

Covind Code	O.E.M.	Description	Min. Q.ty
TPS/215	-	REAR MUDGUARD RH/LH, WITH BRACKETS AND ANTISPRAY	-
TPS/225	-	REAR MUDGUARD RH/LH, WITH BRACKETS AND ANTISPRAY	-
TPS/235	-	REAR MUDGUARD RH/LH, WITH BRACKETS AND ANTISPRAY	-

