

2014



WIPER BLADES

WISCHBLÄTTER

RUITENWISSERS

BALAIS D'ESSUIE-GLACE

TORKARBLAD

ESCOBILLAS
LIMPIAPARABRISAS

ESCOVAS LIMPIA VIDROS

SPAZZOLE
TERGICRISTALLO

ЩЕТКИ
СТЕКЛОЧИСТИТЕЛЯ

WYCIERACZKI

ΥΑΛΟΚΑΘΑΡΙΣΤΗΡΕΣ


SİLECEK SÜPÜRGELERİ

РУЙНКИЈАНСУЛАТ



SCAN QR-CODE
AND DOWNLOAD
THE CATALOGUE



valeo added 

OPTIBLADE® TRUCKS

www.valeoservice.com



valeo 

Automotive technology, naturally

Discover the new cardboard packaging...
attractive Truck
Featured!

Benefits:

1. Brand visibility on top of the pack
2. Clear key applications list with main vehicles
3. Immediate identification of the market thanks to the Truck image
4. Visibility of the range name
5. Fast product type identification
6. Focus on product benefits
7. Emphasizing the European production as a guarantee of product quality
8. Clear and detailed fitting instructions



Made of steel for the pro

optiBLADE® Trucks

Range benefits



DURABILITY

Durable rubber coating: rubber blades ensure an efficient and long-lasting wipe whatever the weather conditions.



ROBUSTNESS

100% metal blade: robust wiping performance guaranteed for Truck vehicles.

QUALITY

European production: the blades have been designed, manufactured and tested by Valeo engineers in its own factory.



DESIGNED & MANUFACTURED IN EUROPE

Made of steel for the pro

optiBLADE® Trucks

The range

Total of 8 part numbers: a single X1 range

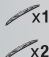





3 Part numbers with washer ramp to cover specific applications

Easy to stock: a short range

Blade length: from 500mm to 700mm

High coverage: 86% of European Truck parc*



| Valeo |  X1 |  mm/'' |  |  | Main applications:   |
|---------|--|---|---|---|--|
| 628 500 | X1 | 500 / 20" | | A | MAN M 2000 L (04/96>10/05), MERCEDES-BENZ Unimog U5000, RENAULT TRUCKS Trafic (04/89>03/01) |
| 628 550 | X1 | 550 / 22" | | A | DAF XF 510 (03/13>), FIAT Ducato (05/94>06/06), FORD Transit (01/86>02/00) |
| 628 600 | X1 | 600 / 24" | | T7, T11 | MAN F 2000 (10/94>), MERCEDES-BENZ Unimog U20, VOLKSWAGEN Transporter T5 (11/03>) |
| 628 601 | X1 | 600 / 24" | Washer ramp mounted on blade | M10 | IVECO Daily City (11/00>), RENAULT TRUCKS Master 3 (11/99>03/10), VOLVO FL (12/06>) |
| 628 650 | X1 | 650 / 26" | | T7, T8, T11 | IVECO Stralis (02/08>), MERCEDES-BENZ Atego (04/98>), VOLVO FM / FMX (02/06>) |
| 628 651 | X1 | 650 / 26" | Washer ramp mounted on blade | M10 | RENAULT TRUCKS D, C (2013>), Kerax (01/06>), Premium (01/06>), VOLVO FE (12/06>) |
| 628 700 | X1 | 700 / 28" | | T7, T8 | MERCEDES-BENZ Actros MP2/MP3 (01/97>2013), RENAULT TRUCKS Magnum (03/97>2013), SCANIA P,R,T (04>08/05) |
| 628 701 | X1 | 700 / 28" | Washer ramp mounted on blade | T7 | MERCEDES-BENZ Actros MP4 (10/11>), SCANIA Serie P,R,T (09/05>), VOLVO FH / FH 16 (03/13>) |

*Truck/LCV vehicles equipped in O.E. with standard blades lengths between 500 mm and 700 mm.
Countries considered: Germany, France, Italy, Spain, UK, Poland, Turkey, Netherlands.

Made of steel for the pro

Summary

1

REF. *optiBLADE*®



> P 03

2

SYMBOLS AND ABBREVIATIONS

> P 04

3



REF. *optiBLADE*® > P 05

4

CROSS IAM



REF. *optiBLADE*® > P 13

5

ADAPTORS AND FITTING INSTRUCTIONS

> P 14




 For 

| optiBLADE® Trucks | | | | | | |
|-------------------|----|---|-------------|--------------------------------------|---|--|
| 628500 | x1 | 500/20 | 9x3 9x4 | A | FIAT MAN MERCEDES-BENZ MERCEDES-BENZ RENAULT TRUCKS (R.V.I.) | DUCATO (05/81>04/94) CLA (2012>) UNIMOG U5000 ZETROS 1833A / 2733A TRAFIC (04/89>03/01) |
| 628550 | x1 | 550/22 | 9x4 | A | DAF FIAT FORD PEUGEOT VOLKSWAGEN | XF (03/13>) DUCATO (05/94>06/06) TRANSIT (01/86>02/00) PARTNER 1/ -Origin (06/96>) TRANSPORTER T4 (09/90>12/03) |
| 628600 | x1 | 600/24 | 12x4 9x4 | T7 T11 | DAF MAN MERCEDES-BENZ MERCEDES-BENZ VOLKSWAGEN | CF 65, CF 75, CF 85 (03/98>2013) F 2000 (10/94>) SPRINTER 208D ... 412D (05/95>05/06) 🚐 UNIMOG U20 TRANSPORTER T5 (11/03>) 🚐 |
| 628601 | x1 | 600/24  | 9x4 | M10 | DAF IVECO RENAULT TRUCKS (R.V.I.) RENAULT TRUCKS (R.V.I.) RENAULT TRUCKS (R.V.I.) | LF (2013>) DAILY Daily City (11/00>) MASCOTT (11/99>03/10) MASTER (11/99>03/10) MIDLUM (01/01>2013) |
| 628650 | x1 | 650/26 | 12x4 9x4 | T7 T8 T11 | IVECO IVECO MERCEDES-BENZ MERCEDES-BENZ VOLVO | STRALIS (02/08>) TRAKKER Hi-LAND (01/13>) ATEGO (04/98>) AXOR 2528...2543 (09/01>2012) FM / FMX (02/06>) |
| 628651 | x1 | 650/26  | 9x4 | M10 | RENAULT TRUCKS (R.V.I.) RENAULT TRUCKS (R.V.I.) RENAULT TRUCKS (R.V.I.) RENAULT TRUCKS (R.V.I.) VOLVO | C (PREMIUM) C : 250 350 CH (2013>) D WIDE (PREMIUM) (2013>) KERAX (01/06>) 🚐 PREMIUM / Premium Lander / Premium Distribution (01/06>2013) 🚐 FE (12/06>) 🚐 |
| 628700 | x1 | 700/28 | 12x4 9x4 | T7 T8 | MAN MERCEDES-BENZ MERCEDES-BENZ RENAULT TRUCKS (R.V.I.) SCANIA | TGX, TGS (2008>) ACTROS MP2/ MP3 (01/97>2013) UNIMOG U400 / U500 MAGNUM / AE 380---520 (03/97>2013) T Series T 380...580 (2004>08/05) |
| 628701 | x1 | 700/28  | 12x4 | T7 | MERCEDES-BENZ MERCEDES-BENZ SCANIA SCANIA VOLVO | ACTROS MP4 (10/11>) ANTOS (09/12>) G Series G 400 / 480 (2008>) P (09/05>) FH (03/13>) |



| | |
|------------|---------------------|
| D | Baujahr |
| GB | Dates |
| F | Date |
| NL | Data |
| E | Fecha |
| P | Data |
| I | Data |
| PL | Data |
| RU | Даты |
| TU | Uygulama tarihi |
| GR | Ημερομηνία διάθεσης |
| S | Årsmodell |
| DK | Årgang |
| FIN | Päivämäärä |



| | |
|------------|------------------|
| D | Fahrerseite |
| GB | Driver Side |
| F | Côté conducteur |
| NL | Bestuurder |
| E | Lado conductor |
| P | Lado condutor |
| I | Lato guida |
| PL | Strona kierowcy |
| RU | Сторона водителя |
| TU | Sürücü tarafı |
| GR | Κάθισμα οδηγού |
| S | Förarsida |
| DK | Førerside |
| FIN | Kuskin puoli |



| | |
|------------|-------------------|
| D | Beifahrerseite |
| GB | Passenger Side |
| F | Côté passager |
| NL | Passagier |
| E | Lado pasajero |
| P | Lado passageiro |
| I | Lato passeggero |
| PL | Strona pasażera |
| RU | Сторона пассажира |
| TU | Yolcu tarafı |
| GR | Κάθισμα συνοδηγού |
| S | Passagerarsida |
| DK | Passagerside |
| FIN | Matkustajan puoli |



| | |
|-----------|---|
| D | Nur für Linkslenker |
| GB | For Left Hand Drive only |
| F | Conduite à gauche uniquement |
| NL | Voor linksgestuurde alleen |
| E | Únicamente para conducción a izquierda |
| P | Para conducir a esquerda unicamente |
| I | Guida a sinistra |
| PL | Wyłącznie dla ruchu lewostronnego |
| RU | только для леворульных машин |
| TU | Sadece soldan direksiyonlu araçlar için |
| GR | Για Αριστεροτίμονο μόνο |



| | |
|------------|---|
| D | Nur für Rechtslenker |
| GB | For Right Hand Drive only |
| F | Conduite à droite uniquement |
| NL | Rechtsgestuurd voertuig |
| E | Únicamente para conducción a derechas |
| P | Para conducir a direita unicamente |
| I | Guida a destra |
| PL | Tylko ruch lewostronny |
| RU | Только для авто с правым расположением руля |
| TU | Yalnızca sağdan direksiyonlu araçlar için |
| GR | Τιμόνι στη δεξιά μεριά |
| S | Endast för högerstyrd |
| DK | Kun Højrestyrede |
| FIN | Vain oikean puoleiselle liikenteelle |



| | |
|------------|------------|
| D | Adapter |
| GB | Adaptor |
| F | Adaptateur |
| NL | Adapter |
| E | Adaptador |
| P | Adaptador |
| I | Adattatore |
| PL | Adaptor |
| RU | Адаптер |
| TU | Adaptör |
| GR | Αντάπτορες |
| S | Adapter |
| DK | Adaptor |
| FIN | Adaptteri |



| | |
|------------|--|
| D | Aufgesetzte Waschdüsen |
| GB | Washer ramp mounted on blade |
| F | Rampe d'arrosage montée |
| NL | Sproeigalerij gemonteerd op wisserblad |
| E | Rampa surtidora incorporada |
| P | Sistema de rega montado |
| I | Distributore per lavavetro incorporato |
| PL | Z zamontowanym spryskiwaczem |
| RU | щётка с форсункой омывателя |
| TU | Su püskürtücüləri kol üzerinde |
| GR | Σύστημα πλύσης ενσωματωμένο στον υαλοκαθαριστήρα |
| S | Spolarmunstick |
| DK | Tuulilasin pesuneste |
| FIN | Sprinklerdyse, -bro monteret |



| | |
|-----------|-------------------------|
| D | Mit Verbindungsschlauch |
| GB | With connection |
| F | Avec Raccord |
| NL | Met verbinding |
| E | Con racor |
| P | Com conexao |
| I | Con raccordo |
| PL | z łącznikiem |
| RU | С соединителем |
| TU | Bağlantılı |
| GR | με σύνδεση |



| | |
|-----------|---|
| D | Kurzes Fahrerhaus |
| GB | Cab over Engine |
| F | Modèle à cabine avancée |
| NL | Frontgestuurde cabine |
| E | Modelo de cabina avanzada |
| P | Modelo de cabina avançada |
| I | Modello a cabina avanzata |
| PL | Model z kabiną nad silnikiem |
| RU | Моторный отсек под кабиной |
| TU | Burunsuz kasa (Kabin motor üzerinde) |
| GR | οντέλο με καμπίνα πίσω από τον κινητήρα |



| | |
|-----------|--|
| D | Haubenfahrzeug |
| GB | Cab behind Engine |
| F | Modèle à moteur avancé |
| NL | Torpedo cabine |
| E | Modelo de cabina con motor avanzado |
| P | Modelo de cabina com motor avançado |
| I | Modello a motore avanzato |
| PL | Model z kabiną za silnikiem |
| RU | Моторный отсек перед кабиной |
| TU | Burunlu kasa (Kabin motor arkasında) |
| GR | Μοντέλο με καμπίνα επάνω στον κινητήρα |



| | |
|-----------|-----------------------------------|
| D | Untere Scheibe |
| GB | Lower Windscreen |
| F | Vitre basse, Pare-Brise inférieur |
| NL | Onderste voorruit |
| E | Parabrisas inferior |
| P | Pára - brisas inferior |
| I | Parabrezza inferiore |
| PL | Szyba przednia dolna |
| RU | нижняя зона ветрового стекла |
| TU | Alt ön cam |
| GR | Κάτω παρμπρίζ |



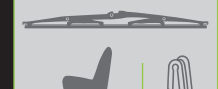
| | |
|-----------|-----------------------------------|
| D | Obere Scheibe |
| GB | Upper Windscreen |
| F | Vitre haute, Pare-Brise supérieur |
| NL | Bovenste voorruit |
| E | Parabrisas superior |
| P | Pára - brisas superior |
| I | Parabrezza superiore |
| PL | Szyba przednia górna |
| RU | верхняя зона ветрового стекла |
| TU | Üst ön cam |
| GR | Άνω παρμπρίζ |

For



| ASTRA | | | | | | | | | |
|-------------------------------|----------------------|---|---------------|--------|-----|--------|-----|--|--|
| ASTRA HD9 | (base Iveco Stralis) | | 2012 → | 628650 | T7 | 628650 | T7 | | |
| AUWÄRTER | | | | | | | | | |
| SUPER SPRINTER MB 416 / MB616 | | | | 628600 | T11 | 628550 | A | | |
| AUWÄRTER (NEOPLAN) | | | | | | | | | |
| CITYLINER | N116 ... | ▲ | 02/86 → | 628550 | A | 628550 | A | | |
| AVIA | | | | | | | | | |
| 1000, 1250, 1601, 1602, 2000 | | | | 628500 | A | 628500 | A | | |
| 3601, 3602, 5601, 5603 | | | | 628500 | A | 628500 | A | | |
| F260, F275 | | | | 628500 | A | 628500 | A | | |
| BEDFORD | | | | | | | | | |
| TK SERIE | | | 01/78 → | 628500 | A | 628500 | A | | |
| BOVA | | | | | | | | | |
| MB 0614 | | | | 628600 | T11 | 628600 | T11 | | |
| CITROËN | | | | | | | | | |
| BERLINGO | 1/ -First | | 06/96 → | 628550 | A | 628550 | A | | |
| C25 | | | 12/81 → 02/94 | 628500 | A | 628500 | A | | |
| C32 | | | 12/81 → 02/94 | 628500 | A | 628500 | A | | |
| C35 | | | 11/73 → 12/91 | 628500 | A | 628500 | A | | |
| DISPACH | | 🚚 | 10/95 → 12/06 | 628650 | T11 | 628500 | A | | |
| JUMPER | | | 02/94 → 06/06 | 628550 | A | 628550 | A | | |
| JUMPY | | | 10/95 → 12/06 | 628650 | T11 | 628500 | A | | |
| RELAY | | 🚚 | 02/94 → 06/06 | 628550 | A | 628550 | A | | |
| DAF | | | | | | | | | |
| CF | CF 65, CF 75, CF85 | | 03/98 → 2013 | 628600 | T11 | 628600 | T11 | | |
| F 45-101 | F 95 | | 06/91 → 02/97 | 628550 | A | 628550 | A | | |
| F 45-97 | F 65 | | 01/93 → 1998 | 628600 | T11 | 628600 | T11 | | |
| F 45-98 | F 75 | | 01/92 → 1998 | 628600 | T11 | 628600 | T11 | | |
| F 45-99 | F 85 | | 01/92 → 1998 | 628600 | T11 | 628600 | T11 | | |
| F 500-F 3602 | F 1600 ... F 3600 | | 01/73 → 1992 | 628500 | A | 628500 | A | | |
| LF | LF 45 | ☞ | 04/01 → 2013 | 628601 | M10 | 628601 | M10 | | |
| | LF 55 | ☞ | 04/01 → 2013 | 628601 | M10 | 628601 | M10 | | |
| | LF (Euro 6) | ☞ | 2013 → | 628601 | M10 | 628601 | M10 | | |
| XF | XF 95 | | 03/97 → | 628550 | A | 628550 | A | | |
| | XF 105 | | 03/06 → | 628550 | A | 628550 | A | | |
| | XF 510 (Euro 6) | | 03/13 → | 628550 | A | 628550 | A | | |
| EBRO | | | | | | | | | |
| F 260-F 350 | F 260 ... F 350 | | 04/85 → | 628500 | A | 628500 | A | | |
| F 260-F 351 | JX | | 01/86 → | 628500 | A | 628500 | A | | |
| F 260-F 352 | L 35, L 60, L 80 | | 01/80 → | 628500 | A | 628500 | A | | |
| F 260-F 353 | M 100, M 125 | | 01/80 → | 628500 | A | 628500 | A | | |
| TRADE | | | 01/86 → | 628500 | A | 628500 | A | | |
| EICHER | | | | | | | | | |
| SCHLEPPER | | | 01/76 → | 628500 | A | 628500 | A | | |
| ERF | | | | | | | | | |
| B-CP | B | | 01/75 → | 628550 | A | 628550 | A | | |
| | C | | 01/75 → | 628550 | A | 628550 | A | | |
| ECX | ECX | | | 628600 | T11 | 628600 | T11 | | |

For



ERF (.../...)

| | | | | | | |
|------------|---------------|---------|--------|-----|--------|-----|
| E-M | E | 01/86 → | 628500 | A | 628500 | A |
| | EC 11, 12, 41 | | 628600 | T11 | 628600 | T11 |
| | M | 01/75 → | 628550 | A | 628550 | A |

FAHR

| | | | | | |
|-------------------------------|---------|--------|---|--------|---|
| M 750, M 900, M 922 | 01/74 → | 628500 | A | 628500 | A |
| M 1002, M 1102, M 1202 | → 01/76 | 628500 | A | 628500 | A |
| M 1300, M 1302, M 1600 | 01/72 → | 628500 | A | 628500 | A |

FAUN

| | | | | | |
|--------------------------|---------|--------|---|--------|---|
| K 17, K 34 NATO | 01/75 → | 628500 | A | 628500 | A |
| L 70, L 240 (8X8) | 01/75 → | 628500 | A | 628500 | A |

FENDT

| | | | | | |
|-----------------|---------|--------|---|--------|---|
| F 275 GT | 01/76 → | 628500 | A | 628500 | A |
|-----------------|---------|--------|---|--------|---|

FIAT

| | | | | | |
|----------------|---------------|--------|-----|--------|---|
| 242 | 01/80 → 01/82 | 628500 | A | 628500 | A |
| DUCATO | 05/81 → 04/94 | 628500 | A | 628500 | A |
| | 05/94 → 06/06 | 628550 | A | 628550 | A |
| SCUDO | 10/95 → 12/06 | 628650 | T11 | 628500 | A |
| TALENTO | 01/89 → 1994 | 628500 | A | 628500 | A |

FORD

| | | | | | | |
|----------------|---------------|---------------|--------|--------|--------|-----|
| SERIE A | 01/78 → 01/83 | 628500 | A | 628500 | A | |
| TOURNEO | 10/94 → 02/00 | 628550 | A | 628550 | A | |
| | Connect | 01/03 → 12/13 | 628550 | A | 628500 | A |
| TRANSIT | | 01/86 → 02/00 | 628550 | A | 628550 | A |
| | | 03/00 → 08/09 | 628700 | T8 | 628600 | T11 |
| | Connect | 01/03 → 12/13 | 628550 | A | 628500 | A |

GINAF

| | | | | | | |
|----------|--|--------|--------|-----|--------|-----|
| C | C 2120 N, ... | 2008 → | 628650 | T7 | 628650 | T7 |
| M | M 3132, 3333, 4243, 4443 | | 628600 | T11 | 628600 | T11 |
| X | X 2221, 3232, 3329, 3331, 3335, 4241, 4243, 4343, 4345, 4446, 5250, 5350, 5450 | | 628600 | T11 | 628600 | T11 |

IHC

| | | | | | |
|----------------------|---------|--------|---|--------|---|
| NUTZFAHRZEUGE | 01/81 → | 628500 | A | 628500 | A |
|----------------------|---------|--------|---|--------|---|

ISUZU

| | | | | | |
|------------|---------|--------|---|--------|---|
| NKR | 01/97 → | 628500 | A | 628500 | A |
| NPR | 01/97 → | 628500 | A | 628500 | A |

IVECO

| | | | | | | |
|----------------|--------------|---------------|--------|---|--------|---|
| 79-90 | 90 M, 320 M | → 12/78 | 628500 | A | 628500 | A |
| 100-120 | 109.14 Zeta | 09/88 → | 628500 | A | 628500 | A |
| | 120 D | 01/69 → 12/74 | 628500 | A | 628500 | A |
| 130 | 130 M | → 12/78 | 628500 | A | 628500 | A |
| | 135 D | 01/69 → 12/75 | 628500 | A | 628500 | A |
| 160 | 160 D | 01/69 → 12/74 | 628500 | A | 628500 | A |
| | 160 M | → 12/78 | 628500 | A | 628500 | A |
| 170 | 170 D | 01/69 → 12/74 | 628500 | A | 628500 | A |
| 180 | 180 D, 186 D | 10/69 → 12/70 | 628500 | A | 628500 | A |
| 210 | 210 | 10/69 → 12/70 | 628500 | A | 628500 | A |
| 240 | 242 | 01/80 → 01/82 | 628500 | A | 628500 | A |
| 280 | 280 | 01/81 → | 628500 | A | 628500 | A |
| 300 | 315 | | 628500 | A | 628500 | A |
| 320 | 320 M | → 12/78 | 628500 | A | 628500 | A |

For



IVECO (.../...)

| | | | | | | | |
|------------------|------------------|---|---------------|---------------|-----|---------------|-----|
| ASTRA | HD9 | | 2012 → | 628650 | T11 | 628650 | T11 |
| DAILY | Daily City | ☞ | 11/00 → | 628601 | M10 | 628601 | M10 |
| DUCATO | | | 05/91 → 04/94 | 628500 | A | 628500 | A |
| | | | 05/94 → | 628550 | A | 628550 | A |
| EURO | EuroCargo (R1) | | 01/92 → 12/07 | 628650 | T7 | 628650 | T7 |
| | EuroCargo (R2) | | 01/08 → | 628650 | T11 | 628650 | T11 |
| | EuroFire | | | 628650 | T7 | 628650 | T7 |
| | EuroStar | | 01/94 → 2002 | 628650 | T7 | 628650 | T7 |
| | EuroTech | | 01/92 → 2000 | 628650 | T7 | 628650 | T7 |
| | EuroTrakker | | 01/94 → 12/06 | 628650 | T7 | 628650 | T7 |
| POWERSTAR | Powerstar | | | 628650 | T7 | 628650 | T7 |
| STRALIS | | | → 2007 | 628650 | T7 | 628650 | T7 |
| | | | 02/08 → | 628650 | T11 | 628650 | T11 |
| | Hi-WAY / Hi-ROAD | | 01/13 → | 628650 | T11 | 628650 | T11 |
| TALENTO | | | 01/89 → | 628500 | A | 628500 | A |
| TRAKKER | | | → 2007 | 628650 | T7 | 628650 | T7 |
| | | | 02/08 → | 628650 | T11 | 628650 | T11 |
| | Hi-LAND | | 01/13 → | 628650 | T11 | 628650 | T11 |

JONCKHEERE

| | | | | | | | |
|-----------------|------------------|---|--------|---------------|-----|---------------|-----|
| PRO-CITY | (Renault Master) | ☞ | 2004 → | 628601 | M10 | 628601 | M10 |
|-----------------|------------------|---|--------|---------------|-----|---------------|-----|

KÄSSBOHRER-SETRA

| | | | | | | | |
|--------------------|----------------------------|---|---------------|---------------|-----|---------------|-----|
| FLEXMOBIL | | | → 01/85 | 628500 | A | 628500 | A |
| S 9-S 14 | S 9, S 14 | | 01/67 → | 628500 | A | 628500 | A |
| S 80- S 150 | S 80 | | 10/67 → 08/77 | 628500 | A | 628500 | A |
| | S 150 | | 01/67 → | 628500 | A | 628500 | A |
| S 110-S 150 | S 110, S 120, S 130, S 150 | | 10/67 → 08/77 | 628500 | A | 628500 | A |
| S 400 | S 416 | ▲ | 2001 → | 628600 | T11 | 628600 | T11 |
| | S 431 DT | ▲ | 2001 → | 628700 | T8 | 628700 | T8 |

LEYLAND DAF

| | | | | | | | |
|------------|--------|--|---------|---------------|---|---------------|---|
| LDV | Convoy | | 09/96 → | 628500 | A | 628500 | A |
| | Maxus | | 2007 → | 628500 | A | 628500 | A |

MACK

| | | | | | | | |
|---------------------------------|--|--|---------|---------------|---|---------------|---|
| E9-500 | | | | 628500 | A | 628500 | A |
| MS 200, M 300 (MIDLINER) | | | 11/79 → | 628500 | A | 628500 | A |

MAN

| | | | | | | | |
|---------------|----------------------------|---|---------------|---------------|----|---------------|----|
| 5-38 | 5.12 ... 38.320 F | | 07/72 → 12/85 | 628500 | A | 628500 | A |
| | 5.125 ... 38.320 U | | 07/72 → 12/85 | 628500 | A | 628500 | A |
| 7-48 | 7.126 ... 48.700 DH | ☛ | 11/79 → 03/86 | 628500 | A | 628500 | A |
| 17-32 | 17.240 ... 32.321 | ☛ | 08/82 → 1988 | 628500 | A | 628500 | A |
| 11 | 11 UE 230 | | 11/72 → 12/75 | 628500 | A | 628500 | A |
| 12 | 12 UE 230 | | 11/72 → 12/75 | 628500 | A | 628500 | A |
| | | | | | | | |
| A-B | AK 14, AK 16, S 16 | | 01/68 → | 628500 | A | 628500 | A |
| | BS 12L, BS 19K | | 01/68 → | 628500 | A | 628500 | A |
| CLA | | | 2012 → | 628500 | A | 628500 | A |
| E 2000 | FE 600A, FE 460A | | | 628600 | T7 | 628600 | T7 |
| F 2000 | F 2000 (19.343 ... 48.462) | | 10/94 → | 628600 | T7 | 628600 | T7 |
| F 90 | F 90 (19.242 ... 48.462) | | 01/86 → 09/94 | 628600 | T7 | 628600 | T7 |
| G 90 | G 90 (4.70 ... 9.136) | | 11/79 → 12/94 | 628500 | A | 628500 | A |
| L 2000 | L 2000 (8.103 ... 10.223) | | 01/94 → | 628500 | A | 628500 | A |
| L-K | L 09, L 14, L 19, K 22 | | 01/68 → | 628500 | A | 628500 | A |
| M | M 90 (12.152 ... 18.232) | | 01/86 → 12/96 | 628600 | T7 | 628600 | T7 |

For



MAN (.../...)

| | | | | | | | |
|--|-------------------------------------|--------|---------------|---------------|---------------|---------------|----|
| M 2000 | M 2000 L (cabin L, 12 to 19 tons) | | 04/96 → 10/05 | 628500 | A | 628500 | A |
| | M 2000 M (cabin F, 12 to 19 tons) | | 04/96 → 10/05 | 628600 | T7 | 628600 | T7 |
| TG | TG 18.310 | | | 628700 | T7 | 628700 | T7 |
| | TG 18.313 FLC | | 09/00 → | 628700 | T7 | 628700 | T7 |
| | TG 18.313 FLS | | 09/00 → | 628700 | T7 | 628700 | T7 |
| | TG 18.363 FLS | | 09/00 → | 628700 | T7 | 628700 | T7 |
| | TG 18.410 FLC / FLT | | 09/00 → | 628700 | T7 | 628700 | T7 |
| | TG 18.413 FLS / FLLS/ N / FLT / FLC | | 09/00 → | 628700 | T7 | 628700 | T7 |
| | TG 18.480 | | | 628700 | T7 | 628700 | T7 |
| | TG 18.513 FLS | | 09/00 → | 628700 | T7 | 628700 | T7 |
| | TG 26.360 | | | 628700 | T7 | 628700 | T7 |
| | TG 26.410 FNLC | | 09/00 → | 628700 | T7 | 628700 | T7 |
| | TG 26.412 FVLRT / FNLC | | 09/00 → | 628700 | T7 | 628700 | T7 |
| | TG 26.460 FNLG | | 09/00 → | 628700 | T7 | 628700 | T7 |
| | TG 26.463 FNLL-WB / FNLC / FNLLC | | 09/00 → | 628700 | T7 | 628700 | T7 |
| | TG 26.530 | | | 628700 | T7 | 628700 | T7 |
| | TG 32.413 FFDK | | | 628700 | T7 | 628700 | T7 |
| | TG 35.360 | | | 628700 | T7 | 628700 | T7 |
| | TG 41.480 | | | 628700 | T7 | 628700 | T7 |
| | TGA 18... / TGA 40.... | | 09/04 → | 628700 | T7 | 628700 | T7 |
| | TGL (Design cabin C / L / LX) | | 05/05 → | 628700 | T7 | 628700 | T7 |
| | TGM (Design cabin C / L / LX) | | 11/05 → | 628700 | T7 | 628700 | T7 |
| TGS (Design cabin M / L / LX) | | 2008 → | 628700 | T7 | 628700 | T7 | |
| TGX / V8 (Design cabin XL / XLX / XXL) | | 2008 → | 628700 | T7 | 628700 | T7 | |

MAZDA

| | | | | | | | |
|--------------|--|--|--|---------------|---|---------------|---|
| LT 35 | | | | 628500 | A | 628500 | A |
|--------------|--|--|--|---------------|---|---------------|---|

MERCEDES-BENZ

| | | | | | | | |
|---------------------------|--------------------------------------|--|---------------|---------------|---------------|---------------|---------------|
| ACTROS | MP2/ MP3 | | 01/97 → 2013 | 628700 | T8 | 628700 | T8 |
| | MP4 | | 10/11 → | 628701 | T7 | 628701 | T7 |
| ANTOS | | | 09/12 → | 628701 | T7 | 628701 | T7 |
| ATEGO | | | 04/98 → | 628650 | T8 | 628650 | T8 |
| AXOR | 1828...1843 | | 09/01 → 2012 | 628650 | T8 | 628650 | T8 |
| | 2528...2543 | | 09/01 → 2012 | 628650 | T8 | 628650 | T8 |
| CITYLINER | 1220 / L - 1224 / L | | → 1997 | 628650 | T7 | 628650 | T7 |
| | 1320 / L | | → 1997 | 628650 | T7 | 628650 | T7 |
| | 1520 / L - 1524 / L | | → 1997 | 628650 | T7 | 628650 | T7 |
| CITYLINER ECOPOWER | 812 - 814 / L - 817 / L / S | | → 1997 | 628650 | T7 | 628650 | T7 |
| | 914 R - 917 R | | → 1997 | 628650 | T7 | 628650 | T7 |
| | 1114 - 1117 / L | | → 1997 | 628650 | T7 | 628650 | T7 |
| | 1120 LS | | → 1997 | 628650 | T7 | 628650 | T7 |
| | 1217 / L | | → 1997 | 628650 | T7 | 628650 | T7 |
| | 1317 / L - 1324 LS | | → 1997 | 628650 | T7 | 628650 | T7 |
| | 1517 | | → 1997 | 628650 | T7 | 628650 | T7 |
| | | | | | 628650 | T7 | 628650 |
| ECONIC | 1828 | | 09/00 → | 628600 | T7 | 628600 | T7 |
| | 2628 | | 09/00 → | 628600 | T7 | 628600 | T7 |
| L | L, LA, LAK, LAS, LK, LS | | 01/70 → | 628500 | A | 628500 | A |
| | LK 709 ... 1524 | | 01/93 → | 628600 | T11 | 628600 | T11 |
| | LN2 709 ... 1324 | | 06/84 → 01/93 | 628600 | T7 | 628600 | T7 |
| | LP, LPS, LPK, LPL, LPLS | | 01/70 → | 628500 | A | 628500 | A |
| MB | MB 90, 100, 120, 140, 160, 180 | | 12/80 → 12/90 | 628500 | A | 628500 | A |
| | MB 100 D | | 01/91 → 12/90 | 628500 | A | 628500 | A |
| | MB 800 T | | → 12/90 | 628500 | A | 628500 | A |
| | MB Trac 700, 800, 900 | | 01/81 → 12/90 | 628500 | A | 628500 | A |
| | MB Trac 1000, 1100, 1300, 1500, 1550 | | 02/76 → 12/90 | 628500 | A | 628500 | A |

For



MERCEDES-BENZ (.../...)

| | | | | | | | |
|--------------------|--|--------------------------|------------------|-----------|------------------|-----------|---|
| NG | NG90 1222 ... 3233 MK | 01/89 → 1997 | 628650 | T7 | 628650 | T7 | |
| | NG90 1729 ... 4850 SK | 01/89 → 1997 | 628650 | T7 | 628650 | T7 | |
| O 301 | O 301 (LN2) | 01/85 → 05/86 | 628600 | T7 | 628600 | T7 | |
| | | 06/86 → 1987 | 628600 | T11 | 628600 | T11 | |
| O 305- O350 | O 309, O 309D | 01/69 → 1989 | 628500 | A | 628500 | A | |
| O 412 | O 412D | 05/95 → 05/06 | 628600 | T11 | 628550 | A | |
| O 600 | O 609/611/614 | 07/87 → | 628600 | T11 | 628600 | T11 | |
| POWERLINER | 1820 B | → 1997 | 628650 | T7 | 628650 | T7 | |
| | 1824 B / BL / L / R / RL | → 1997 | 628650 | T7 | 628650 | T7 | |
| | 1827 B / BL / E / EL / L / LS / LSE / LSR / R / RL / S / SE / SR | → 1997 | 628650 | T7 | 628650 | T7 | |
| | 1831 B / BL / E / EL / L / LSE / LSR / R / RL / SE / SR | → 1997 | 628650 | T7 | 628650 | T7 | |
| | 1834 B / BL / E / EL / L / LSE / LSR / R / RL / SE / SF / SR | → 1997 | 628650 | T7 | 628650 | T7 | |
| | 1853 S | → 1997 | 628650 | T7 | 628650 | T7 | |
| | 2024 / L | → 1997 | 628650 | T7 | 628650 | T7 | |
| | 2031 AS / LSB / LSE / LSV / S / SB / SE | → 1997 | 628650 | T7 | 628650 | T7 | |
| | 2034 LSB / LSE / S / SB / SE | → 1997 | 628650 | T7 | 628650 | T7 | |
| | 2038 E / EL / L / LSE / LSV / S / SE | → 1997 | 628650 | T7 | 628650 | T7 | |
| | 2039 / E / EL / L / LS / LSE / S / SE / | → 1997 | 628650 | T7 | 628650 | T7 | |
| | 2044 / E / EL / L / LS / LSE / S / SE | → 1997 | 628650 | T7 | 628650 | T7 | |
| | 2050 E / EL / L / LSE / S / SE | → 1997 | 628650 | T7 | 628650 | T7 | |
| | 2053 / E / EL / L / LS / LSE / S / SE / | → 1997 | 628650 | T7 | 628650 | T7 | |
| | 2534 L / BL | → 1997 | 628650 | T7 | 628650 | T7 | |
| | 2538 DN / LS | → 1997 | 628650 | T7 | 628650 | T7 | |
| | 2539 DN / L / LS | → 1997 | 628650 | T7 | 628650 | T7 | |
| | 2544 DN / L | → 1997 | 628650 | T7 | 628650 | T7 | |
| | 3538 | → 1997 | 628650 | T7 | 628650 | T7 | |
| | 2550 | → 1997 | 628650 | T7 | 628650 | T7 | |
| | 2631 AK / K / N | → 1997 | 628650 | T7 | 628650 | T7 | |
| | 2638 AK / K / S | → 1997 | 628650 | T7 | 628650 | T7 | |
| | 2639 / S | → 1997 | 628650 | T7 | 628650 | T7 | |
| | 2644 S / SG / SP | → 1997 | 628650 | T7 | 628650 | T7 | |
| | 2650 S / SP / SG | → 1997 | 628650 | T7 | 628650 | T7 | |
| | 2653 S / SG / SP | → 1997 | 628650 | T7 | 628650 | T7 | |
| | 3234 K | → 1997 | 628650 | T7 | 628650 | T7 | |
| | 3350 S / 3550 S | → 1997 | 628650 | T7 | 628650 | T7 | |
| | 3353 S | → 1997 | 628650 | T7 | 628650 | T7 | |
| | 4038 K | → 1997 | 628650 | T7 | 628650 | T7 | |
| | SPRINTER | 208D ... 412D | 05/95 → 05/06 | 628600 | T11 | 628550 | A |
| | T | T1: 207D ... 410D | 01/77 → 04/95 | 628500 | A | 628500 | A |
| T1: 507D ... 709D | | → 02/84 | 628500 | A | 628500 | A | |
| T2: 507D ... 817D | | 03/84 → 05/86 06/86 → | 628600 628600 | T7 T11 | 628600 628600 | T7 T11 | |
| UNIMOG | U20 | | 628600 | T7 | 628600 | T7 | |
| | U 84, 100, 110 | 12/76 → 05/89 | 628500 | A | 628500 | A | |
| | U 90, 100 L, 110, 110 L, 140, 140 L | 07/92 → | 628500 | A | 628500 | A | |
| | U 120, 425 | 02/76 → | 628500 | A | 628500 | A | |
| | U400 / U500 | | 628700 | T7 | 628700 | T7 | |
| | U 1000, 1200 2450 L, T, L/38 | 02/76 → | 628500 | A | 628500 | A | |
| | U 1650 | | 628500 | A | 628500 | A | |
| | U5000 | | 628500 | A | 628500 | A | |
| VARIO | UX 100 | 09/96 → | 628650 | T7 | 628650 | T7 | |
| ZETROS | 1833A / 2733A | 09/96 → | 628600 | T11 | 628600 | T11 | |
| | | | 628500 | A | 628500 | A | |

For



| MITSUBISHI | | | | | | | |
|-------------|---|--|---------------|--------|---|--------|---|
| FUSO/CANTER | 3C11/ 3C13/ 3C15/ 5C15/ 6C15/ 6C18 / 7C15/ 7C18 | | 2003 → 2011 | 628550 | A | 628550 | A |
| | 3C11/ 3C13/ 3C15/ 5C15/ 6C15/ 6C18 / 7C15/ 7C18 | | 2012 → | 628500 | A | 628500 | A |
| | 3S11/ 3S13 / 5S13 | | 1997 → 2011 | 628500 | A | 628500 | A |
| L 200 | | | 10/96 → 02/06 | 628500 | A | 628500 | A |

| NISSAN | | | | | | | |
|-----------|-------|---|---------------|--------|-----|--------|-----|
| ATLEON | | | 2000 → | 628600 | T11 | 628550 | A |
| CABSTAR | | | 2008 → | 628500 | A | 628500 | A |
| ECO-T | 100 | | 09/96 → | 628500 | A | 628500 | A |
| | 135 | | 09/96 → | 628500 | A | 628500 | A |
| | 160 | | | 628500 | A | 628500 | A |
| | 200 | | | 628500 | A | 628500 | A |
| INTERSTAR | | ☞ | 02/02 → 09/11 | 628601 | M10 | 628601 | M10 |
| KUBISTAR | | | 11/03 → | 628500 | A | 628500 | A |
| L 35 | | | | 628500 | A | 628500 | A |
| VANETTE | | | 09/86 → 05/95 | 628500 | A | 628500 | A |
| | Cargo | | 06/95 → | 628600 | T11 | 628600 | T11 |
| TRADE | | | 01/86 → 2000 | 628500 | A | 628500 | A |

| OMNIBUS | | | | | | | |
|---------|------------------------------------|---|--------|--------|-----|--------|-----|
| SUNRISE | (Iveco Daily) | ☞ | 2006 → | 628601 | M10 | 628601 | M10 |
| SUNSET | (Sprinter) | | | 628600 | T11 | 628550 | A |
| | Sunset X / Sunset XL (Iveco Daily) | ☞ | 2006 → | 628601 | M10 | 628601 | M10 |

| OPEL | | | | | | | |
|--------|--|---|---------------|--------|-----|--------|-----|
| MOVANO | | ☞ | 11/99 → 04/10 | 628601 | M10 | 628601 | M10 |

| PEGASO | | | | | | | |
|-----------|------------------------------|--|---------------|--------|---|--------|---|
| 1080-1186 | 1080, 1083, 1086, 1135, 1145 | | 02/81 → 01/86 | 628500 | A | 628500 | A |
| | 1080, 1083, 1086, 1135, 1145 | | 02/87 → | 628500 | A | 628500 | A |
| | 1180, 1181, 1183, 1184, 1186 | | 01/87 → | 628500 | A | 628500 | A |
| 1190-2135 | 1190, 1231, 2080, 2081, 2082 | | 01/87 → | 628500 | A | 628500 | A |
| 1226-2331 | 1234R, 2217, 2323, 2331 | | 01/85 → | 628500 | A | 628500 | A |
| 2180-2190 | 2180, 2181, 2182, 2189, 2190 | | 01/87 → | 628500 | A | 628500 | A |
| 3080-3189 | 3080, 3180, 3181, 3188, 3189 | | 01/87 → | 628500 | A | 628500 | A |
| | Serie 260 | | 01/90 → | 628500 | A | 628500 | A |
| | Serie Mider | | 01/91 → | 628500 | A | 628500 | A |
| | Serie Obras | | 01/91 → | 628500 | A | 628500 | A |
| | Tecno 1223, 1231, 1234, 1331 | | 09/88 → | 628500 | A | 628500 | A |
| | Tecno 2323, 2331 | | 09/88 → | 628500 | A | 628500 | A |

| PEUGEOT | | | | | | | |
|---------|------------|--|---------------|--------|-----|--------|---|
| BOXER | | | 02/94 → 06/06 | 628550 | A | 628550 | A |
| EXPERT | | | 10/95 → 12/06 | 628650 | T11 | 628500 | A |
| J 5 | | | 01/82 → 02/94 | 628500 | A | 628500 | A |
| PARTNER | 1/ -Origin | | 06/96 → | 628550 | A | 628550 | A |

| RENAULT TRUCKS (R.V.I.) | | | | | | | |
|-------------------------|-----------------------------|---|---------------|--------|-----|--------|-----|
| C | C 210 ... C 340 | | 01/75 → 05/87 | 628500 | A | 628500 | A |
| | CS, MS (Mack) | | 01/86 → | 628500 | A | 628500 | A |
| C (PREMIUM) | C : 250 350 CH | ☞ | 2013 → | 628651 | M10 | 628651 | M10 |
| D (MAXITY) | D : 3,5 7,5T (CAB 2 m) | | 2013 → | 628500 | A | 628500 | A |
| D (MIDLUM) | D : 10 18T (CAB 2,1 m) | ☞ | 2013 → | 628601 | M10 | 628601 | M10 |
| D WIDE (PREMIUM) | D Wide : 18 26T (CAB 2,3 m) | ☞ | 2013 → | 628651 | M10 | 628651 | M10 |
| J | J, JN, JK, JP, JR, JK | | 01/75 → 05/87 | 628500 | A | 628500 | A |
| | J | | 06/87 → | 628600 | T11 | 628600 | T11 |
| KANGOO | Kangoo / Kangoo express | | 07/01 → | 628500 | A | 628500 | A |

For



| RENAULT TRUCKS (R.V.I.) (.../...) | | | | | | | | | |
|-----------------------------------|---|--|---------------|---------------|---------------|---------------|---------------|-----|--|
| KANGOO 2 | Kangoo 2 / Express / Compact | | 01/08 → | 628550 | A | 628550 | A | | |
| KERAX | | | 01/97 → 12/05 | 628651 | M10 | 628651 | M10 | | |
| | | | | 01/06 → | 628651 | M10 | 628651 | M10 | |
| MAGNUM / AE | 380---520 | | 03/97 → 2013 | 628700 | T7 | 628700 | T7 | | |
| MASCOTT | | | 11/99 → 03/10 | 628601 | M10 | 628601 | M10 | | |
| MASTER | | | 11/99 → 03/10 | 628601 | M10 | 628601 | M10 | | |
| MAXITY | | | 2008 → 2013 | 628500 | A | 628500 | A | | |
| MIDLUM | | | 01/01 → 2013 | 628601 | M10 | 628601 | M10 | | |
| PREMIUM | Premium / Premium Lander / Premium Distribution | | 05/96 → 12/05 | 628651 | M10 | 628651 | M10 | | |
| | | | | 01/06 → 2013 | 628651 | M10 | 628651 | M10 | |
| R | R (Major) | | 01/81 → | 628500 | A | 628500 | A | | |
| S | S 90 ... S 220 | | 01/75 → 05/87 | 628500 | A | 628500 | A | | |
| | SM 10, SM 12, SM 13 | | 06/75 → | 628500 | A | 628500 | A | | |
| | SM 170 ... SM 340 | | → 01/79 | 628500 | A | 628500 | A | | |
| T | CBH-Serie 280 | | 04/86 → 05/87 | 628500 | A | 628500 | A | | |
| TRAFFIC | | | 04/89 → 03/01 | 628500 | A | 628500 | A | | |

| SCANIA | | | | | | | | | |
|------------|---|--|---------------|---------------|----|---------------|----|--|--|
| 80 | Series 81 (LB) | | 01/75 → 01/81 | 628500 | A | 628500 | A | | |
| | Series 85 L, 85 LB, 85 LS, 85 LBS, 85 LBT, 85 Super | | 01/69 → 01/75 | 628500 | A | 628500 | A | | |
| | Series 86 L, 86 LB, 86 LS, 86 LBS | | 01/75 → 01/81 | 628500 | A | 628500 | A | | |
| 94 | Series 94 C, 94 D, 94 G, 94 L | | 10/95 → | 628700 | T7 | 628700 | T7 | | |
| 110 | Series 111 L, 111 LB, 111 LS, 111 LT, 111 LBS, 111 LBT, 111 Super | | 01/75 → 01/81 | 628500 | A | 628500 | A | | |
| 114 | Series 114 C, 114 G, 114 L | | 10/95 → | 628700 | T7 | 628700 | T7 | | |
| 124 | Series 124 C, 124 G, 124 L | | 10/95 → | 628700 | T7 | 628700 | T7 | | |
| 140 | Series 140 L, 140 LB, 140 LS, 140 LT, 140 LBS, 140 LBT, 140 Super | | 01/77 → 01/81 | 628500 | A | 628500 | A | | |
| | Series 142 L, 142 LB, 142 LS, 142 LT, 142 LBS, 142 LBT, 142 Super | | 01/75 → 01/81 | 628500 | A | 628500 | A | | |
| | Series 144 C, 144 G, 144 L | | 10/95 → | 628700 | T7 | 628700 | T7 | | |
| | Series 146 KT, 146 LB, 146 LT | | 01/76 → 01/81 | 628500 | A | 628500 | A | | |
| 164 | Series 164 C, 164 G, 164 L | | 05/00 → | 628700 | T7 | 628700 | T7 | | |
| G | Series G 400 / 480 | | 2008 → | 628701 | T7 | 628701 | T7 | | |
| P | Series P 230...420 | | 2004 → 08/05 | 628700 | T7 | 628700 | T7 | | |
| | Series P 230...420 (P, R, T) 270/280/310 | | 09/05 → | 628701 | T7 | 628701 | T7 | | |
| R | Series R 380...580 | | 2004 → 08/05 | 628700 | T7 | 628700 | T7 | | |
| | Series R 230...620 (P, R, T) 420/440/730 | | 09/05 → | 628701 | T7 | 628701 | T7 | | |
| T | Series T 380...580 | | 2004 → 08/05 | 628700 | T7 | 628700 | T7 | | |
| | Series T 230... (P, R, T) | | 09/05 → | 628701 | T7 | 628701 | T7 | | |

| SEDDON-ATKINSON | | | | | | | | | |
|-----------------------------|--|--|---------|---------------|---|---------------|---|--|--|
| 200, 300, 400 SERIES | | | → 01/75 | 628550 | A | 628550 | A | | |

| STEYR | | | | | | | | | |
|---------------------------------------|--|--|---------------|---------------|---|---------------|---|--|--|
| 790 | | | 04/76 → 01/79 | 628500 | A | 628500 | A | | |
| 1290 > 1490 K.O.S | | | 06/72 → 02/79 | 628500 | A | 628500 | A | | |
| 1291 > 1491 | | | 04/78 → 12/87 | 628500 | A | 628500 | A | | |
| 13 S14, 17 S14, 18, 21, 23 | | | 04/86 → | 628500 | A | 628500 | A | | |
| 18 S36, 19 S36, 19 S42, 33 S42 | | | 01/94 → | 628500 | A | 628500 | A | | |
| 1890 F.O | | | 04/75 → 04/81 | 628500 | A | 628500 | A | | |
| 1891 280, 310, 320, 330 | | | 02/82 → 12/87 | 628500 | A | 628500 | A | | |
| 19 S24, 40 S37 | | | 01/87 → | 628500 | A | 628500 | A | | |
| 28 S36 | | | | 628500 | A | 628500 | A | | |
| 2891 260, 280, 330 | | | 10/83 → 12/87 | 628500 | A | 628500 | A | | |
| 320, 360, 390 | | | 01/87 → | 628500 | A | 628500 | A | | |
| 35 S36 | | | | 628500 | A | 628500 | A | | |
| 591, 691 | | | 01/84 → 04/86 | 628500 | A | 628500 | A | | |
| 791.145, 170, 195, 210 | | | 11/78 → 02/86 | 628500 | A | 628500 | A | | |

For



STEYR (.../...)

| | | | | | | | |
|---------------------------------------|--|--|---------------|---------------|---|---------------|---|
| 8 S14, 18 | | | 04/89 → | 628500 | A | 628500 | A |
| 891.170 | | | 11/78 → 02/86 | 628500 | A | 628500 | A |
| 9 S14, 18, 21 À 12 S14, 18, 21 | | | 04/86 → | 628500 | A | 628500 | A |

TERBERG

| | | | | | | | |
|---------------|--|--|--|---------------|----|---------------|----|
| FM1350 | | | | 628650 | T7 | 628650 | T7 |
| FM1450 | | | | 628650 | T7 | 628650 | T7 |
| FM1850 | | | | 628650 | T7 | 628650 | T7 |
| FM1950 | | | | 628650 | T7 | 628650 | T7 |
| FM2000 | | | | 628650 | T7 | 628650 | T7 |
| FM2850 | | | | 628650 | T7 | 628650 | T7 |
| FM3000 | | | | 628650 | T7 | 628650 | T7 |

VAN HOOL

| | | | | | | | |
|-----------|----------------|---|--|---------------|---|---------------|---|
| TX | TX 17 Acron | ▲ | | 628550 | A | 628550 | A |
| | TX 17 Astronef | ▲ | | 628550 | A | 628550 | A |

V D L

| | | | | | | | |
|-----------------|--|--|---------------|---------------|-----|---------------|---|
| KUSTERS | Mid Euro XL (Mercedes Sprinter 208D ...) | | 05/95 → 05/06 | 628600 | T11 | 628550 | A |
| MINI BUS | (Mercedes 308) | | → 05/06 | 628600 | T11 | 628550 | A |
| PROCITY | | | | 628550 | A | 628550 | A |

VAUXHALL

| | | | | | | | |
|---------------|--|---|---------------|---------------|-----|---------------|-----|
| MOVANO | | ⊞ | 11/99 → 04/10 | 628601 | M10 | 628601 | M10 |
|---------------|--|---|---------------|---------------|-----|---------------|-----|

VOLKSWAGEN

| | | | | | | | |
|------------------------------|--------------|--|---------------|---------------|-----|---------------|-----|
| BULLY | | | → 12/83 | 628500 | A | 628500 | A |
| CARAVELLE, CALIFORNIA | | | 09/90 → | 628550 | A | 628550 | A |
| CITY-BUS | | | 01/92 → | 628600 | T11 | 628600 | T11 |
| CONSTELLATION | 24.280 | | | 628600 | T11 | 628600 | T11 |
| | 26.390 | | | 628600 | T11 | 628600 | T11 |
| LT | 28 ... LT 50 | | 04/75 → 08/96 | 628500 | A | 628500 | A |
| | | | 09/96 → 06/06 | 628600 | T11 | 628500 | A |
| MULTIVAN | | | 09/90 → 2003 | 628550 | A | 628550 | A |
| TRANSPORTER | T4 | | 09/90 → 12/03 | 628550 | A | 628550 | A |
| | T5 | | 11/03 → | 628600 | T11 | 628550 | A |

VOLVO

| | | | | | | | |
|-----------|---------------------|---|---------------|---------------|-----|---------------|-----|
| FE | FE | ⊞ | 12/06 → | 628651 | M10 | 628651 | M10 |
| FH | FH / FH 16 | | 02/06 → | 628650 | T7 | 628650 | T7 |
| | FH / FH 16 (Euro 6) | ⊞ | 03/13 → | 628701 | T7 | 628701 | T7 |
| | FH 10 | | 11/93 → 01/06 | 628650 | T7 | 628650 | T7 |
| | FH 12 | | 11/93 → 01/06 | 628650 | T7 | 628650 | T7 |
| | FH 16 | | 11/93 → 01/06 | 628650 | T7 | 628650 | T7 |
| FL | FL | ⊞ | 12/06 → | 628601 | M10 | 628601 | M10 |
| | FL 7 | | 10/95 → 1998 | 628700 | T7 | 628700 | T7 |
| | FL 12 | | 10/95 → 1997 | 628700 | T7 | 628700 | T7 |
| FM | FM 7 | | 06/98 → 12/01 | 628650 | T7 | 628650 | T7 |
| | FM 9 | | 12/01 → 2003 | 628650 | T7 | 628650 | T7 |
| | FM 10 | | 06/98 → 12/01 | 628650 | T7 | 628650 | T7 |
| | FM 12 | | 06/98 → 01/06 | 628650 | T7 | 628650 | T7 |
| | FM / FMX | | 02/06 → | 628650 | T7 | 628650 | T7 |
| NH | NH 12 | | 09/00 → | 628650 | T11 | 628650 | T11 |

CROSS
IAM



CROSS
IAM



CROSS
IAM



BOSCH

| | |
|------------------|--------|
| 3397004080 (N74) | 628651 |
| 3397011238 (N71) | 628701 |
| 3397011310 (N66) | 628651 |
| 3397018150 (N53) | 628500 |
| 3397018170 (N70) | 628700 |
| 3397018173 (N73) | 628700 |
| 3397018963 (N65) | 628650 |
| 3397018965 (N55) | 628550 |
| 3397018966 (N63) | 628600 |
| 3397118309 (609) | 628601 |

DOGA

| | |
|-------|---------------|
| P50.1 | 628500 |
| P56 | 628550 |
| P56.1 | 628550 |
| P60 | 628600 |
| P60.2 | 628601 |
| P65.1 | 628650 |
| P65.2 | 628650+628651 |
| P70.2 | 628700+628701 |

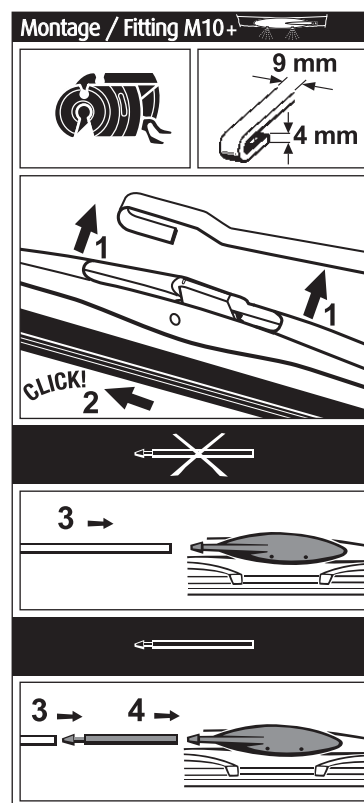
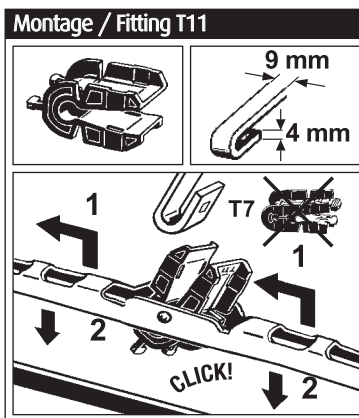
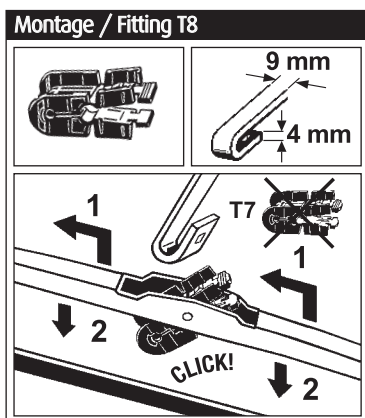
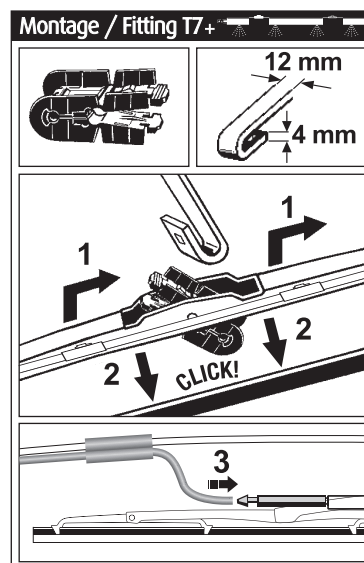
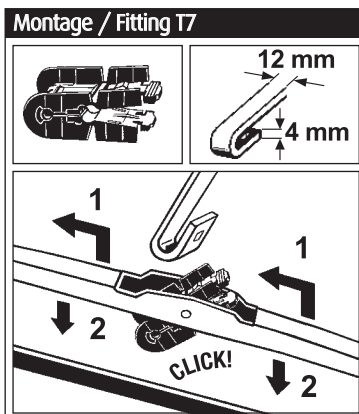
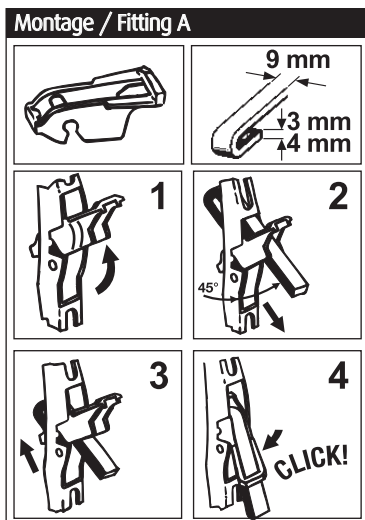
FEDERAL MOGUL

| | |
|--------|--------|
| RD55H | 628550 |
| RD60H | 628600 |
| RD65H | 628650 |
| RD70H | 628700 |
| T51001 | 628500 |
| T55001 | 628550 |
| T55H01 | 628550 |
| T60001 | 628600 |
| T60H01 | 628600 |
| T60H03 | 628601 |
| T65H01 | 628650 |
| T65H05 | 628651 |
| T70H01 | 628700 |
| T70H03 | 628651 |
| T70H05 | 628701 |
| T70H07 | 628700 |

HELLA

| | |
|------------------------|--------|
| 9XW 184 107-201 (WT20) | 628500 |
| 9XW 184 107-221 (WT22) | 628550 |
| 9XW 184 107-241 (WT24) | 628600 |
| 9XW 184 107-261 (WT26) | 628650 |
| 9XW 184 107-281 (WT28) | 628700 |

ADAPTORS AND FITTING INSTRUCTIONS



Every effort has been made to ensure that the information contained in this catalogue is correct at the time of printing, but no warranty or representation is given or made as to the accuracy of such information and Valeo Service UK Ltd does not accept any liability whatsoever for any inaccuracies.

Valeo Service UK Ltd reserves the right to alter specifications and/or the final construction of products without notice.

Product references referred to in this catalogue may not be available in all countries.

All orders for products are only accepted subject to the terms and conditions of Valeo Service UK Ltd.

Photographs and drawings are not binding on Valeo Service UK Ltd. The copyright in this publication belongs to Valeo Service UK Ltd exclusively. No part of this publication may be reproduced by any means without the prior authorisation of Valeo Service UK Ltd.

L'affectation et la préconisation des produits figurant dans nos catalogues prennent en compte l'état du parc automobile au jour de leur parution.

La responsabilité de Valeo Service ne saurait être engagée en cas de modification, substitution ou suppression des affectations ou préconisations qui pourraient intervenir notamment à l'initiative des constructeurs de véhicules.

Les caractéristiques techniques de nos produits sont susceptibles d'évoluer à tout moment pour tenir compte des améliorations techniques et technologiques.

Certaines références peuvent ne pas être disponibles dans tous les pays.

Les commandes sont régies par les conditions générales de vente de Valeo Service.

Photos et dessins non contractuels. La reproduction de tout ou partie de cette publication est interdite sans l'autorisation expresse et écrite de Valeo Service.

La aplicación de los productos sobre vehículos y las especificaciones de los productos que figuran en nuestros catálogos se refieren a la situación del parque de automóviles en la fecha de puesta en circulación de los productos.

Valeo Service España SA no asume ninguna responsabilidad en caso de modificación, sustitución o supresión de dichas aplicaciones y/o especificaciones que pudieran producirse por iniciativa de los fabricantes de automóviles.

Las características técnicas de nuestros productos son susceptibles de evolucionar en cualquier momento para incorporar las mejoras técnicas y tecnológicas que se desarrollen.

Las referencias de productos mencionadas en este catalogo puede que no estén disponibles en todos los países.

Los pedidos se regiran por las condiciones generales de venta de Valeo Service España SA.

Las fotografías y dibujos que aparecen en nuestros catálogos son meramente indicativas, por lo que no siempre coinciden exactamente con la apariencia externa de nuestros productos. Se prohíbe la reproducción de todo o parte de esta publicación sin la autorización expresa y escrita de Valeo Service España SA.

As prescrições e recomendações relativas ao uso ou utilidade dos produtos constantes de nossos catálogos levam em consideração o estado do parque automotivo à época do lançamento desses produtos.

A Valeo Sistemas Automotivos Ltda (Valeo Cibié Service) não será responsável por quaisquer modificações, substituições ou supressões incidentes sobre as prescrições e recomendações relativas ao uso ou utilidade de nossos produtos, que sejam decorrentes de ações dos construtores de veículos.

As características técnicas de nossos produtos são suscetíveis de alteração a qualquer momento para que sejam incorporadas melhorias técnicas e/ou tecnológicas.

Certas referências podem não estar disponíveis em todos os países.

Os pedidos feitos pelos clientes são regidos pelas condições gerais de venda da Valeo Sistemas Automotivos Ltda (Valeo Cibié Service).

Fotos e desenhos não contratuais. A reprodução do todo ou de parte desta publicação é proibida sem a autorização expressa e por escrito da Valeo Sistemas Automotivos Ltda (Valeo Cibié Service).

Le applicazioni e le specifiche dei prodotti che figurano nei nostri cataloghi si riferiscono alla situazione del parco circolante al momento della pubblicazione.

Valeo Service Italia S.p.A. declina qualsiasi responsabilità in caso di modifica, sostituzione o soppressione di applicazioni o specifiche eventualmente apportate, senza preavviso, da parte dei Costruttori.

Le caratteristiche tecniche dei nostri prodotti sono suscettibili di modifiche in qualsiasi momento, per apportare migliorie tecniche e tecnologiche.

Alcuni riferimenti presenti in questo catalogo non sono disponibili in tutti i paesi.

Gli ordini sono regolamentati dalle condizioni generali di vendita di Valeo Service Italia S.p.A.

Le Foto ed i disegni che appaiono nel catalogo sono puramente indicativi. E' vietata la riproduzione della totalità o di una parte della presente pubblicazione senza un'esplicita autorizzazione scritta da parte di Valeo Service Italia S.p.A..

De ter zake van de producten in onze catalogi aangegeven bestemmingen en gedane aanbevelingen zijn gebaseerd op het wagenpark ten tijde van publicatie.

Valeo Service Benelux B.V. sluit elke aansprakelijkheid uit met betrekking tot wijziging, vervanging of annulering van de bestemmingen of aanbevelingen, die met name op initiatief van de autofabrikanten kunnen worden doorgevoerd.

De technische eigenschappen van onze producten kunnen te allen tijde evolueren teneinde rekening te houden met technische en technologische verbeteringen.

Bepaalde artikelen kunnen in bepaalde landen niet beschikbaar zijn.

Orders zijn onderworpen aan de algemene verkoopvoorwaarden van Valeo Service Benelux B.V.

Foto's en tekeningen zijn niet bindend.

De gehele of gedeeltelijke verveelvoudiging van deze uitgave zonder uitdrukkelijke voorafgaande schriftelijke toestemming van Valeo Service Benelux B.V. is verboden.

Die Verwendungsempfehlungen zu den in diesem Katalog aufgeführten Produkten beziehen sich auf den zum Zeitpunkt des Erscheinens dieses Katalogs existierenden Fahrzeugbestand.

Valeo Service Deutschland GmbH übernimmt keine Haftung für Änderungen, Ersetzungen oder Streichungen der Fahrzeuganwendung oder -Empfehlungen, die besonders auf Initiative der Fahrzeughersteller auftreten können.

Die technischen Eigenschaften unserer Produkte unterliegen ständiger Entwicklung, um technischen und technologischen Verbesserungen Rechnung zu tragen.

Die Fotos oder Zeichnungen in diesem Katalog dienen ausschliesslich der Veranschaulichung unserer Produkte. Rechtliche Ansprüche können daraus nicht abgeleitet werden.

Einige Produktreferenzen sind nicht in allen Ländern verfügbar.

Lieferungen unterliegen den Allgemeinen Verkaufsbedingungen von Valeo Service Deutschland GmbH.

Die Vervielfältigung dieses Katalogs oder Teilen davon ohne die schriftliche Erlaubnis von Valeo Service Deutschland GmbH ist nicht zulässig.

Przeznaczenie i zalecenia dotyczące produktów figurujących w naszych katalogach biorą pod uwagę stan parku samochodowego w dniu ich wprowadzenia na rynek.

Firma «Valeo Service Eastern Europe Sp. z o.o.» nie może ponosić odpowiedzialności w przypadku zmiany, zastąpienia lub usunięcia wskazówek dotyczących przeznaczenia produktu i zaleceń, które mogą wystąpić z inicjatywy producentów samochodów.

Dane techniczne naszych produktów mogą być w każdej chwili zmienione w celu uwzględnienia

ulepszeń technicznych i technologicznych.

Niektóre modele mogą być niedostępne w niektórych krajach.

Zamówienia podlegają ogólnym warunkom umów «Valeo Service Eastern Europe Sp. z o.o.».

Wykorzystywanie w całości lub w części zdjęć i rysunków zamieszczonych w naszych katalogach wymaga pisemnej zgody «Valeo Service Eastern Europe Sp. z o.o.».

Učinili jsme všechny kroky nezbytné k tomu, aby informace v tomto dokumentu byly přesné ke dni jeho tisku. Valeo Service Export nezodpovídá za případné neúplné či chybné informace zde uvedené.

Valeo Service Export si vyhrazuje právo úpravy specifikace a / nebo konečné formy výrobku bez předchozího upozornění.

A VALEO teljes tudásával arra törekszik, hogy a katalógusban szereplő adatok műszaki tartalma teljesen korrekt legyen, ezért a VALEO SERVICE EXPORT nem vállal garanciát azok helyességéről, pontatlanságáért és nem terheli felelősség az esetleges hibákból eredő károkért.

A VALEO SERVICE EXPORT fenntartja a jogot a termékváltoztatásokra mellékelt termékinformáció nélkül.

A katalógusban szereplő cikkszámok között előfordulhatnak olyanok is, melyek nem minden országban kerülnek forgalomba.

Katalógová čísla obsažená v tomto katalogu nemusi být dostupná k prodeji na všech trzích. Konečné objednávání výrobků se řídí obchodními podmínkami Valeo Service Export.

Fotografie a technické nákresy nezávisí na Valeo Service Export. Copyright je exkluzivně Valeo Service Export. Žádná část tohoto katalogu nesmí být kopírována bez autorizace Valeo Service Export.

Minden termék rendelés a VALEO SERVICE EXPORT szerződéses kondíciói alapján érvényes.

A katalógusban szereplő fényképek és rajzok nem a VALEO SERVICE EXPORT készítményei. A szerzői jogok a VALEO SERVICE EXPORT kizárólagos tulajdonát képezik.

A kiadvány részét nem képező reprodukciókhoz nem szükséges a VALEO SERVICE EXPORT engedélye.

Назначение и рекомендации по эксплуатации продукции, содержащиеся в наших каталогах, указываются с учетом состояния автомобильного парка на день ее появления.

Компания «Valeo Service Eastern Europe Sp.зo.o.» не несет ответственности в случае внесения изменений в рекомендации по эксплуатации продукции или их устранения, произошедших, в частности, по инициативе производителей автомобилей.

Технические характеристики нашей продукции могут претерпевать изменения в любой момент, с учетом усовершенствования технических и технологических процессов.

Некоторые виды продукции могут не иметься в наличии в отдельных странах.

Заказы осуществляются согласно общим правилам торговли, применяемым в компании «Valeo Service Eastern Europe Sp.зo.o.».

Фотографии и изображения продукции могут не в полной мере соответствовать оригиналам. Воспроизведение всей или части настоящей публикации запрещено без специального письменного согласия компании «Valeo Service Eastern Europe Sp.зo.o.».

Katalógarımızda yer alan ürünlerin kullanım ve tanımları, otomobil parkının yaygın tarihindeki durumuna göredir.

Valeo Otomotiv Dağıtım AS, özellikle araç, üreticilerinin inisiyatifli sonucu yapılan değişiklikler, ikame veya kaldırılmaları sorumlu tutulamaz.

Ürünlerimiz teknik özellikleri, teknik ve teknolojik gelişmelere paralel olarak geliştirilebilir.

Bazı referanslar bazı ülkelerde bulunmayabilir.

Siparişler, Valeo Otomotiv Dağıtım AS'un genel satış koşullarına uygun olarak ödenir.

Fotoğraf ve resimler akdi değildir. İşbu yayının Valeo Otomotiv Dağıtım AS'un önceden verilmiş yazılı izni olmaksızın kimsen veya tamamen çoğaltılması yasaktır.

Ο κατάλογος έχει συσταθεί λαμβάνοντας υπόψη τη σύσταση του στήλου αυτοκινήτων την ημέρα, της κυκλοφορίας του.

Η Valeo δε φέρει ευθύνη σε περίπτωση τροποποίησης, αλλαγής ή αντικατάστασης κάποιου αντικείμενου που περιέχεται στο κατάλογο, εξαιτίας πρωτοβουλίας του κατασκευαστή του οχήματος.

Τα τεχνικά χαρακτηριστικά των προϊόντων ενδέχεται να διαφοροποιηθούν ανά νόμο στιγμή λόγω τεχνολογικών εξελίξεων.

Μερικοί κωδικοί αντικων μπορεί να μην είναι διαθέσιμοι σε κάποιες χώρες.

Οι παραγγελίες υνίκενται στους γενικούς ήρους πώλησεων της Valeo.

Οι φωτογραφίες και τα σχέδια δεν είναι δεσμευτικά. Η αναπαραγωγή ολήκληρου ή τμήματος αυτού του καταλόγου αναγορεύεται να γίνει χωρίς τη ρητή και γραπτή άδεια της Valeo Service.

EUROPE

FRANCE

VALEO SERVICE FRANCE
70, RUE PLEYEL
93285 SAINT-DENIS CEDEX - FRANCE
TEL.: (+33) 1 49 45 32 32
FAX: (+33) 1 49 45 37 36
S.A.S. au capital de 12 900 000 €
RCS Bobigny B 306 486 408

SPAIN, PORTUGAL

VALEO SERVICE ESPAÑA, S.A.
CALLE RIO ALMANZORA, N°5
AREA EMPRESARIAL ANDALUCIA C.L.A.
28906 GETAFE (MADRID) - ESPAÑA
TEL.: (+34) 91 495 85 00
FAX: (+34) 91 495 86 99
TEL. ATENCIÓN TÉCNICA:
902 011 799
TEL. ATENCIÓN AL CLIENTE:
900 122 657

Valeo Service España Sociedad Anónima
inscrita en el Registro Mercantil de Madrid,
Tomo 972 - Libro 941 de la sección 8ª,
Folio 25 - Hoja 65435 - Inscripción 1ª NIF. A28772978

ITALY

VALEO SERVICE ITALIA SPA (V.S. ADRIATIC)
VIA ASTI 89
10026 SANTENA (TO) - ITALIA
TEL.: (+39) 011 94 95 1
FAX: (+39) 011 94 95 280
TEL. LINEA TECNICA : 800 805 046
N. iscrizione al Tribunale di Torino 2009/88 reg. soc.
C.C.I.A.A. 715107 - Capitale sociale € 2.600.000

UNITED KINGDOM

VALEO SERVICE UK LTD
HEMING ROAD - WASHFORD
REDDITCH - WORCS B98 0DZ - ENGLAND
TEL.: (+44) 1527 838 300
FAX: (+44) 1527 523 732
Registration Number: 956685

GERMANY

VALEO SERVICE DEUTSCHLAND GMBH
BRANDENBURGER STRASSE 46
40880 RATINGEN - DEUTSCHLAND
TEL.: (+49) 21 02 865 0
FAX: (+49) 21 02 865 142
Handelsregister Ratingen - HRB 3340

BENELUX

VALEO SERVICE BENELUX B.V.
HEIBLOEMWEG 1
5704 BS HELMOND - THE NETHERLANDS
TEL. BELGIUM (NL): (+32) 2 366 99 17
TEL. BELGIUM (FR): (+32) 2 355 14 46
TEL. NETHERLANDS: (+31) 492 580 894
FAX BELGIUM: (+32) 2 366 04 47
FAX NETHERLANDS: (+31) 492 580 828
K.v.K. Eindhoven 33113859

POLAND, LITHUANIA, LATVIA, ESTONIA, MOLDAVIA, BELARUS, UKRAINE

VALEO SERVICE EASTERN EUROPE Sp z o.o.
WOŁOSKA 9A
02-583 WARSAW POLSKA
TEL.: (+48) 22 543 43 00
FAX: (+48) 22 543 43 05
Valeo Service Eastern Europe Sp. z o.o.; NIP 521-11-44-572
VAT UE PL5211144572 - REGON 011909673
Wysokość kapitału zakładowego: 4 637 000 PLN - KRS
56793 Sąd Rejonowy dla m. St. Warszawy w Warszawie,
XIII Wydział Gospodarczy KRS

RUSSIA

VALEO SERVICE CO LTD
107140, MOSCOW
RUSAKOVSKAYA ST. 13,
3RD FLOOR, OFFICE 6
TEL.: (+7) 495 981-06-96
FAX: (+7) 495 787-59-92

SWITZERLAND, AUSTRIA, SWEDEN, FINLAND, NORWAY, DENMARK, ICELAND, EASTERN EUROPE

VALEO SERVICE EXPORT
70, RUE PLEYEL
93285 SAINT-DENIS CEDEX - FRANCE
TEL.: (+33) 1 49 45 32 32
FAX: (+33) 1 49 45 36 59
S.A.S. au capital de 12 900 000 €
RCS Bobigny B 306 486 408

LIAISON OFFICE IN AUSTRIA
MÜHLGASSE 7
2380 PERCHTOLDSORF - AUSTRIA
TEL.: (+43) 1 480 42 46
FAX: (+43) 1 480 42 34

LIAISON OFFICE IN CZECH REPUBLIC
DEDINSKA 29
16101 PRAGUE 6 - CZECH REPUBLIC
TEL.: (+420) 220 102 277
FAX: (+420) 220 102 278

LIAISON OFFICE IN HUNGARY
ROZSAKVARC UTCA 8
1188 BUDAPEST- HUNGARY
TEL.: (+36) 30 50 51 888
FAX: (+43) 1 480 42 34

LIAISON OFFICE IN SWEDEN
REGUS / VALEO
MASTER SAMUELSGATAN 60, 8TR
SE - 111 21 STOCKHOLM - SWEDEN
TEL.: (+46) 8 50 51 65 50

SOUTH AMERICA

LATIN AMERICA (except Mexico)

VALEO CIBIÉ SERVICE LTDA
RUA SADAÉ TAKAGI, 2000
BAIRRO COOPERATIVA
09852-070 - SÃO BERNARDO DO CAMPO
SÃO PAULO - BRASIL
TEL.: (+55) 11 43 93 33 54
FAX: (+55) 11 43 93 33 55
C.N.P.J.: 57.010.662/0008-36
Inscrição Estadual : 635.331.124.114

VALEO SERVICE ARGENTINA
RUA SADAÉ TAKAGI, 2000
BAIRRO COOPERATIVA
09852-070 - SÃO BERNARDO DO CAMPO
SÃO PAULO - BRASIL+
TEL.: (+55) 11 43 93 33 54
FAX: (+55) 11 43 93 33 55
C.N.P.J.: 57.010.662/0008-36
Inscrição Estadual : 635.331.124.114

MEXICO

LIAISON OFFICE IN MEXICO
MONTECITO 38, PISO 14 OFICINA 38.
TORRE WORLD TRADE CENTER
COLONIA NÁPOLES | 03810 | MÉXICO, D.F.
TEL.: +52 (55) 90001588

ASIA, MIDDLE EAST, AUSTRALIA, NEW-ZEALAND

VALEO SERVICE EXPORT
70, RUE PLEYEL
93285 SAINT-DENIS CEDEX - FRANCE
TEL.: (+33) 1 49 45 32 32
FAX: (+33) 1 49 45 36 59

CHINA

**VALEO AUTO PART TRADING
(SHANGHAI) CO., LTD**
201, BUILDING B, IBC TOWER (NEW
INTERNATIONAL BUSINESS CENTER)
391 GUI PING ROAD, SHANGHAI 200233, CHINA
TEL: (+86) 21 5175 2618
MP: (+86) 21 5175 2628

法雷奥汽车零部件贸易(上海)有限公司
地址: 上海市徐汇区桂平路391号新漕河泾国际商务中心B座201
电话: (+86) 21 5175 2618
传真: (+86) 21 5175 2628


**TURKEY, IRAN, IRAQ, SYRIA, LEBANON,
JORDAN, SAUDI ARABIA, UNITED ARABE
EMIRATES, KUWAIT, BAHRAIN, QATAR,
OMAN, YEMEN, EGYPT**

VALEO OTOMOTIV DAĞITIM A.Ş.
AYDINEVLER SANAYI CADDESİ
CENTRUM IS MERKEZİ N°3
KAT: 3, DAIRE N°302-303 KÜÇÜKYALI - MALTEPE
34854 İSTANBUL - TURKEY
TEL.: (+90) 216 518 75 75
FAX.: (+90) 216 519 93 14

AFRICA, DOM-TOM


VALEO SERVICE EXPORT
70, RUE PLEYEL
93285 SAINT-DENIS CEDEX - FRANCE
TEL.: (+33) 1 49 45 32 32
FAX: (+33) 1 49 45 36 59
S.A.S. au capital de 12 900 000 €
RCS Bobigny B 306 486 408

LIAISON OFFICE IN TUNISIA
CENTRE D'AFFAIRES REGUS
IMMEUBLE CARTHAGE RUE DU LAC DE CONSTANCE
1053 TUNIS - TUNISIA
TEL.: (216) 71 965 002
FAX: (216) 71 965 137
MOB: (216)98 34 91 38



A quick look
into Valeo's
commercial vehicle
multi-specialist
DNA

Made of steel for the pro

valeo added 

www.valeoservice.com

Valeo Service
70, rue Pleyel - 93285 Saint-Denis Cedex - France
Tél. : +33 (0)1 49 45 32 32

Valeo
Service