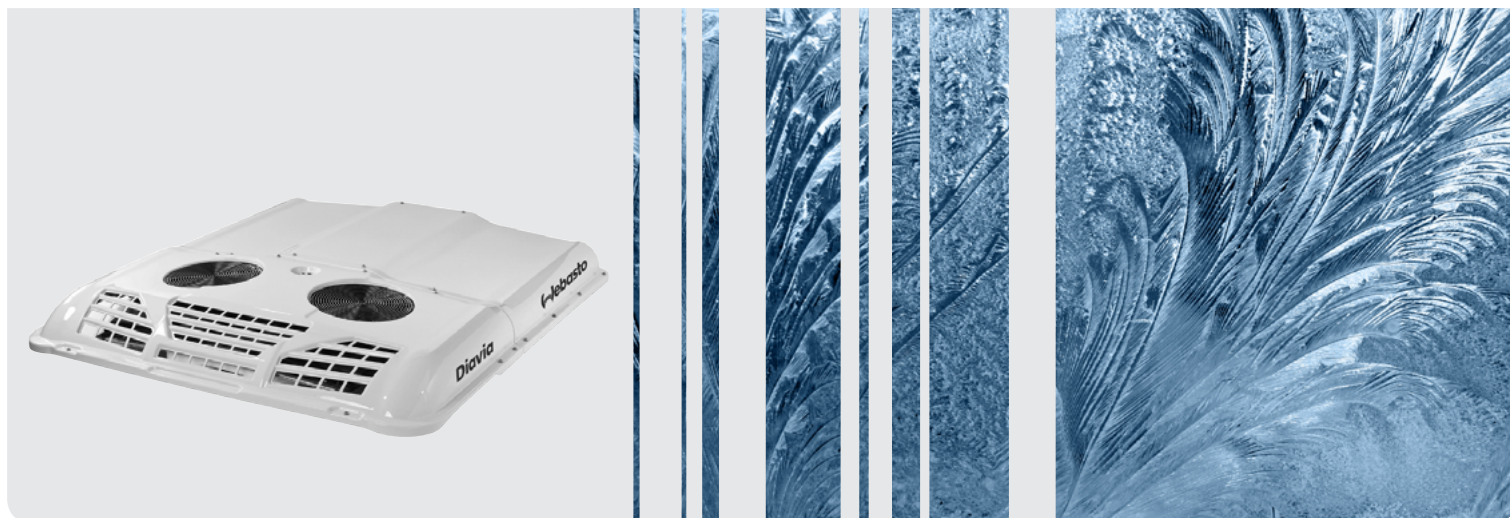


Spare parts list

Air Conditioning Roof Top

SANTANA XL 12V



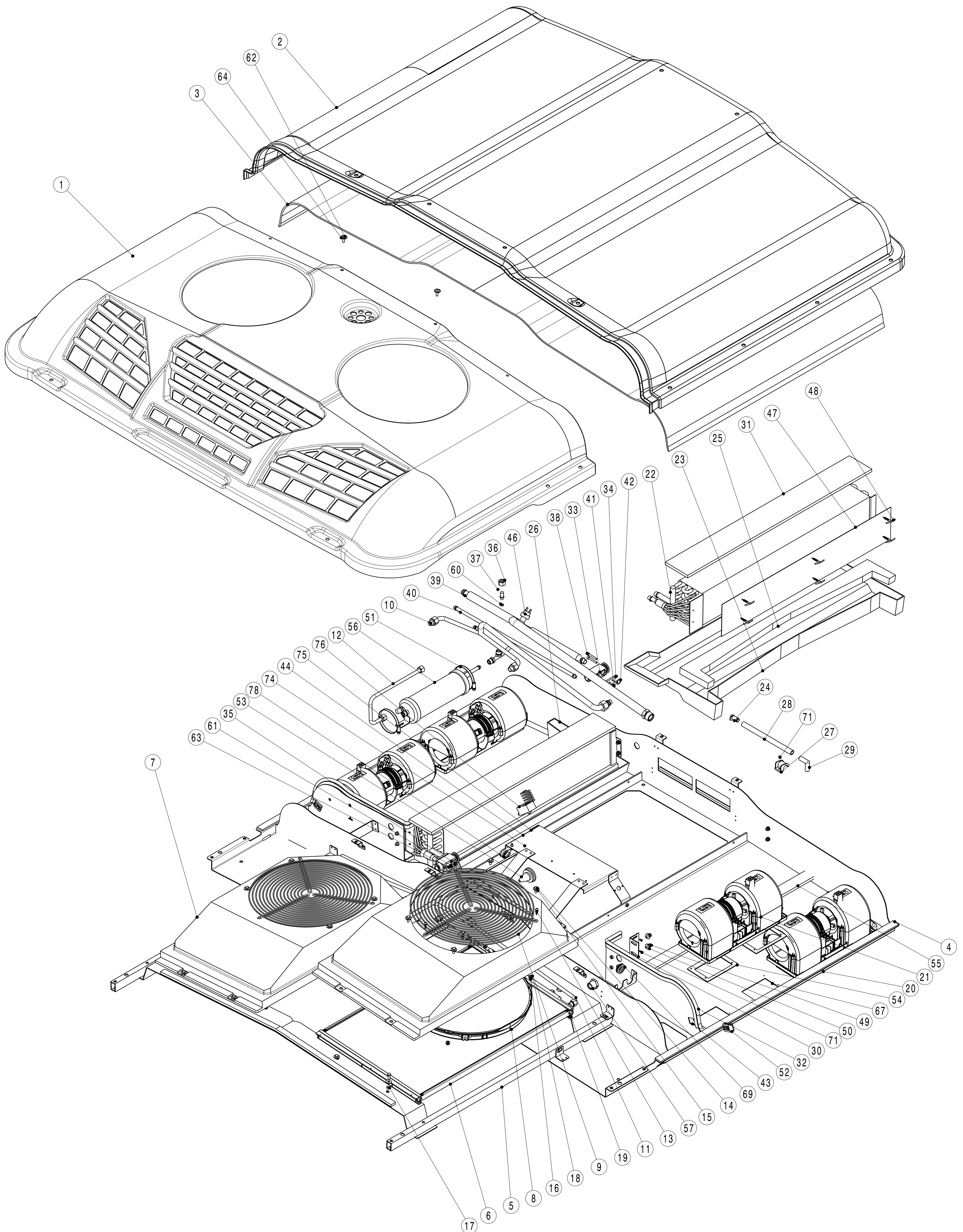
English

Deutsch

Italiano

Ersatzteilliste

Parti di ricambio



Drawing 62U003FF121EF06.pdf

Product SANTANA XL 12 V

Part number : 62U003FF121EF

Date September 16, 2014

Only the parts listed in the table can be ordered as spare part.

Nur die in der Tabelle aufgelisteten Teile können als Ersatzteile bestellt werden

Solo le parti elencate nella tabella possono essere ordinate come parte di ricambio

| Position | Qty | Webasto Part number | Spare Parts EN | Ersatzteile DE | Parti di ricambio IT |
|----------|-----|---------------------|--|---|---|
| 1 | 1 | 620322206B | Front Cover Santana XL | Vordere Abdeckung Santana XL | COPERCHIO anteriore SANTANA XL |
| 2 | 1 | 620322207D | Rear Cover Santana XL | Hintere Abdeckung Santana XL | Coperchio Posteriore Santana XL |
| 3 | 2 | 620701496A | Gasket | Dichtung | FUSTELLATO pos.6 sp.5 UT0043 |
| 4 | 2 | 620701497A | Gasket | Dichtung | FUSTELLATO pos.7 sp.5 UT0043 |
| 5 | 1 | 620812963A | Support condenser Santana | Kondensatortraeger Santana | STAFFA CONDENSATORE SANTANA |
| 6 | 2 | 62022417ORA | Condenser HTC 441 658 18 | Kondensator HTC 441 658 18 | CONDENS HTC 441 658 18 |
| 7 | 2 | 62083193A | Cover | Abdeckung | CONVOGLIATORE per EV ORIGINALE |
| 8 | 2 | 62080196A | Fan assembly 12 V D385 VA18-AP71LL-42S PK | Luefter 12 V D385 VA18-AP71LL-42S PK | VENT ASS D385 VA18-AP71LL -42S PK 12V |
| 9 | 2 | 620601782A | Air distributor 120 degrees Recor D410 | Luftverteiler 120 Grad Recor D410 | GRIGLIA 120° RECOR D410 |
| 10 | 1 | 62820E465B | Preformed pipe CC 13/32 inch | Vorgeformtes Rohr CC 13/32 inch | TUBO PREFORMATO CC 13/32 inch |
| 11 | 1 | 62820E463B | Preformed pipe CF 5/16 inch | Vorgeformtes Rohr CF 5/16 inch | TUBO PREFORMATO CF 5/16 inch |
| 12 | 1 | 62820E464A | Preformed pipe CF connection | Vorgeformtes Rohr CF Anschluss | TUBO PREFORMATO Collegamento CF |
| 17 | 8 | 62009183ZNA | Spacer H5 -9 -7 CR6Free CV | Distanzscheibe H5 -9 -7 CR6Free CV | Distanziale H5 -9 -7 CR6Free CV |
| 19 | 1,9 | 62070030A | Aerstop gasket 10x3 N12 black | Aerstop Dichtung 10x3 N12 Schwarz | Guarnizione Aerstop Nero 10X3 N12 |
| 21 | 4 | 62054095A | Blower Unit 12 V 1020 m3/h 2 Fans 006 A40 22 | Geblaese 12 V 1020 m3/h 2 Luefter 006 A40 22 | VENT CENTR 12V 1020 m3/h 2 006 A40 22 |
| 22 | 2 | 62052908C | Evaporator 745-125-100/8 | Verdampfer 745-125-100/8 | Evaporatore 745-125-100/8 |
| 27 | 4 | 62069178A | Clamp 1-Way Gas Hose | Schelle 1-Weg Kaeltemittelschlauch | FASCETTA 1VIA TUBI GAS |
| 28 | 4 | 62069007S14AA | Tube | Rohr | TUBO SC.COND.11-15,5 UT0058 - L= 0,21m |
| 29 | 4 | 62069062A | Condensate drain fitting 90 degrees D12 | Kondensatablauffitting 90 Grad D12 | RACC SCARICO CONDENZA 90° D12 90 |
| 30 | 2 | 620601785A | Support evaporator | Verdampfertraeger | STAFFA EVAPORATORE |
| 31 | 2 | 620701493A | Gasket | Dichtung | Fustellato sp10 UT0043 POS7 |
| 32 | 1 | 620691289S3A | Rubber profile | Gummi-Profil | PROFILATO COD.8138 954860.FS - 5m |
| 33 | 2 | 620585011A | Expansion Valve TSP Jaguar XJ40 R134a | Expansionsventil TSP Jaguar XJ40 R134a | VALVOLA EXV TSP JAGUAR XJ40 R134a |
| 34 | 2 | 62043060B | Mounting flange expansion valve to evaporator | Montageflansch Expansionsventil zu Verdampfer | ADATT INSERTO RAPIDO 5/16 5/8-18unf |
| 35 | 2 | 62043061C | Mounting flange gas tubes to expansion valve CVC AFR | Montageflansch Gasschlauch zu Exp.Ventil | ADATT SP21 OR 90° - DIS. 90 |
| 36 | 1 | 62043267A | Nut UT0017-06-01 5/8 inch 18unf | Mutter UT0017-06-01 5/8 inch 18unf | DADO UT0017-06-01 5/8 -18UNF |
| 37 | 1 | 62043255A | Accessory Plug DA 5/16 inch AFM | Zubehoer Verschluss DA 5/16 inch AFM | DADO per passaparete 10 UT0017-10-04 |
| 38 | 4 | 62105111B | Bolt | Schraube | TCE M5X35 UNI5931-8.8 CR6FREE CV D01F32 |
| 39 | 1 | 62820E462A | Preformed pipe EC 1/2 inch | Vorgeformtes Rohr EC 1/2 inch | TUBO PREFORMATO EC 1/2 inch |
| 40 | 1 | 62820E466A | Preformed pipe FE 5/16 inch | Vorgeformtes Rohr FE 5/16 inch | TUBO PREFORMATO FE 5/16 inch |
| 41 | 2 | 62069506A | Accessory Bag O-Ring 7,66 x 1,78 | Zubehoer Beutel O-Ring 7,66 x 1,78 | Accessorio Confezione O-Ring 7,66 X 1,78 |
| 42 | 2 | 62069507A | Accessory Bag O-Ring 10,82 x 1,78 | Zubehoer Beutel O-Ring 10,82 x 1,78 | Accessorio Confezione O-Ring 10,82 X 1,78 |
| 44 | 1 | 629066552B | Wiring Harness | Kabelbaum | Comando a relay Santana 12V |
| 45 | 1 | 620682748A | Bypass MTA 4541200/10 M8 | Bypass MTA 4541200/10 M8 | NODO DERIVAZIONE (MTA 4541200/10) M8 |
| 46 | 1 | 62043400B | Pressure switch 0,35 Off-2,1 On YP-23111 | Druckschalter 0,35 Ein-2,1 Aus YP-23111 | PASSALAMIERA 3/4 D16 |
| 47 | 2 | 620701502A | Gasket | Dichtung | FUST. POS26 TESS. 752x125 CV G24D29 |
| 48 | 12 | 6252459054A | Retainer Push-Im M4x37,8 Barbs | Halterung Push-Im M4x37,8 Haken | Fermo Push-IM M4x37,8 Barbs |
| 51 | 2 | 62036063B | Schelle Torro 60-80/9-C6 | Clamp Torro 60-80/9-C6 | Fascetta Torro 60-80/9-C6 |
| 52 | 3 | 62069570A | Rubber Cable Holder Fiat 500 | Gummi Kabelhalter Fiat 500 | PASSACAVO GOMMINO FIAT 500 |
| 53 | 1 | 62069512A | O-Ring rubber hose holder | O-Ring Gummi Schlauchhalter | O-RING GOMMINO PASSATUBO |
| 54 | 8 | 62032383A | Gasket SP2,5 X054036 | Dichtung SP2,5 X054036 | GUARNIZ SP2.5 (X054036 |
| 55 | 2 | 620701281B | Punched gasket Pos 22 SP10 850x40 10 PPI | Gestanzte Dichtung Pos 22 SP10 850x40 10 PPI | GUARNIZ FUST. SP.10 850X40 POS22 10PPI |
| 56 | 1 | 62017070A | Filter drier R134a M-F D76 H240 | Filtertrockner R134a M-F D76 H240 | FILTRO DEIDRAT R134a M-F D76 H240 |
| 57 | 1 | 62043403B | Plate holder 7/8 - 14 | Plattenhalter 7/8 - 14 | Passalamiera 7/8 - 14 |
| 58 | 4 | 62069029A | Clamp T069/B0 5315 | Shelle T069/B0 5315 | FASCETTA T069/B0 5315 |
| 59 | 8 | 62069471A | Clamp Elematic T069/B0 5305 CV D01E54 | Schelle Elematic T069/B0 5305 CV D01E54 | FASCETTA ELEMATIC T069/B0 5305 CV D01E54 |
| 60 | 1 | 62069505A | O-Ring 7,66x1,78 UT0139 CV | O-Ring 7,66x1,78 UT0139 CV | O-Ring 7,66x1,78 UT0139 CV |

Drawing 62U003FF121EF06.pdf

Product SANTANA XL 12 V

Part number : 62U003FF121EF

Date September 16, 2014

Only the parts listed in the table can be ordered as spare part.

Nur die in der Tabelle aufgelisteten Teile können als Ersatzteile bestellt werden

Solo le parti elencate nella tabella possono essere ordinate come parte di ricambio

| Position | Qty | Webasto Part number | Spare Parts EN | Ersatzteile DE | Parti di ricambio IT |
|----------|------|---------------------|---------------------------------------|---|--|
| 67 | 0,95 | 62069122A | Rubber profile A U 0834 AAFM | Gummi-Profil A U 0834 AAFM | Profilo Gomma A U 0834 AAFM |
| 69 | 1 | 62069121A | Wiring holder G29C26 1844 D22 x 30 | Kabelhalter G29C26 1844 D22 x 30 | PASSAFILO G29C26 1844 D22 X 30 |
| 72 | 1 | 62069471A | Clamp Elematic T069/B0 5305 CV D01E54 | Schelle Elematic T069/B0 5305 CV D01E54 | FASCETTA ELEMATIC T069/B0 5305 CV D01E54 |
| 76 | 2 | 62068389D | Thermostat Fisso K50-L9451 L0,450 | Thermostat Fisso K50-L9451 L0,450 | TERMOSTATO FISSO K50-L9451 L0,450 |

In multilingual versions the English language is binding.

The telephone number of the respective country is shown on the Webasto service center leaflet or can be found on the website of your Webasto subsidiary.

Im Fall einer mehrsprachigen Version ist Englisch verbindlich.

Die Telefonnummer des jeweiligen Landes entnehmen Sie bitte dem Webasto Servicestellenfaltblatt oder der Webseite Ihrer jeweiligen Webasto Landesvertretung.

In caso di versione multilingue, fare riferimento alla lingua inglese.

Il numero di telefono relativo al paese specifico è indicato sull'opuscolo del centro servizi Webasto ed è disponibile sul sito web della propria filiale Webasto.

Webasto Thermo & Comfort SE
Postfach 1410
82199 Gilching
Germany

Besucheradresse:
Friedrichshafener Str. 9
82205 Gilching
Germany

Technical Extranet: <http://dealers.webasto.com>

Nur innerhalb von Deutschland
Tel: 0395 5592 444

