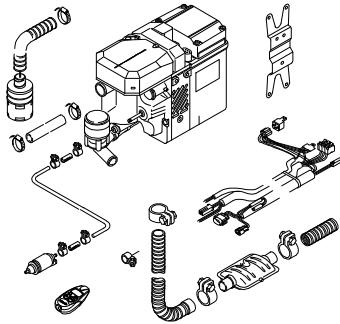


## Heating Systems



## Small Water Heaters

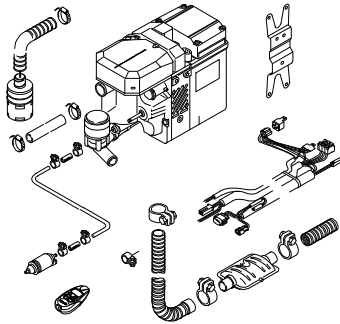
## Thermo Top C

Thermo Top C Diesel	X	X	X							
Thermo Top C Petrol	X	X	X							

Technical Data		
<b>Diesel</b>		
EG-Type approval code		e1*2001/56*0002*--
Heat flow	Full Load	5.2 kW
	Partial Load	2.6 kW
Fuel type		Diesel/heating oil EL
Fuel consumption	Full Load	0.59 l/h
	Partial Load	0.29 l/h
Rated Voltage		12 V
Nominal power consumption with circulating pump (without ventilation)	Full Load	32 W
	Partial Load	22 W
Volume flow of circulating pump against 0.14 bar		500 l/h
Dimensions (LxBxH)		214 x 106 x 168 mm
Dimensions circulating pump (LxWxH)		95 x 61 x 61 mm
Weight of heater		2.9 kg
Weight of metering pump		0.3 kg
<b>Petrol</b>		
EG-Type approval code		e1*2001/56*0002*--
Heat flow	Full Load	5.2 kW
	Partial Load	2.6 kW
Fuel type		Petrol
Fuel consumption	Full Load	0.67 l/h
	Partial Load	0.33 l/h
Rated Voltage		12 V
Nominal power consumption with circulating pump (without ventilation)	Full Load	32 W
	Partial Load	22 W
Volume flow of circulating pump against 0.14 bar		500 l/h
Dimensions (LxBxH)		214 x 106 x 168 mm
Dimensions circulating pump (LxWxH)		95 x 61 x 61 mm
Weight of heater		2.9 kg
Weight of metering pump		0.3 kg
<b>Tolerance ± 10%</b>		

Picture	Order Number	Description	Price
	9012948A	Thermo Top C Gasoline 12V Commercial edition	€ 838,66
	9012949A	Thermo Top C Diesel 12V Commercial edition	€ 838,66
	9003746B	Thermo Top C PME 12V Comm.	€ 851,26
	9013804A	Thermo Top C Gasoline 12V T91	€ 1.041,18
	9013805A	Thermo Top C Diesel 12V T91	€ 1.041,18
	9010933B	Thermo Top C Gasoline 12V T100 HTM	€ 1.090,76
	9010934B	Thermo Top C Diesel 12V T100 HTM	€ 1.090,76
	9003167C	Thermo Top C Gasoline 12V BASIC without Control unit	€ 784,48
	9003168C	Thermo Top C Diesel 12V BASIC without Control unit	€ 784,48
	9009335B	Thermo Top C Diesel 12V Marine	€ 1.091,26
	89246B	Thermo Top C Diesel 12V Comm. Thermo Top Z; as additional heater for turbodiesel cars (direct injection).	€ 596,55
	89247D	Thermo Top C Upgrade kit with 3-times-digital timer for additional heater upgrade zur parking heater	€ 277,59
	65954B	Thermo Top C Kit additional heating function	€ 32,76

## Heating Systems



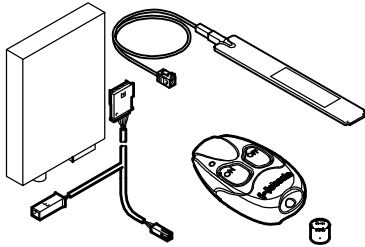
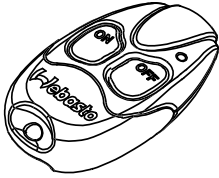
## Small Water Heaters

## Thermo Top E

Thermo Top E Diesel	X	X	X								
Thermo Top E Petrol	X	X	X								

Technical Data		
<b>Diesel</b>		
EG-Type approval code		e1*2001/56*0003*--
Fuel type		Diesel/heating oil EL
Heat flow	Full Load	4.2 kW
	Partial Load	2.5 kW
Fuel consumption	Full Load	0.47 l/h
	Partial Load	0.29 l/h
Rated Voltage		12 V
Rated Power Consumption	Full Load	26 W
Volume flow of circulating pump against 0.14 bar		500 l/h
Dimensions (LxBxH)		214 x 106 x 168 mm
Dimensions circulating pump (LxWxH)		95 x 61 x 61 mm
Nominal power consumption	Partial Load	22 W
Weight of heater		2.9 kg
Weight of metering pump		0.3 kg
<b>Petrol</b>		
EG-Type approval code		e1*2001/56*0003*--
Heat flow	Full Load	4.2 kW
	Partial Load	2.5 kW
Fuel type		Petrol
Fuel consumption	Full Load	0.54 l/h
	Partial Load	0.33 l/h
Rated Voltage		12 V
Rated Power Consumption	Full Load	26 W
Nominal power consumption	Partial Load	22 W
Volume flow of circulating pump against 0.14 bar		500 l/h
Dimensions (LxBxH)		214 x 106 x 168 mm
Dimensions circulating pump (LxWxH)		95 x 61 x 61 mm
Weight of heater		2.9 kg
Weight of metering pump		0.3 kg
<b>Tolerance ± 10%</b>		

Picture	Order Number	Description	Price
	9012945A	Thermo Top E Gasoline 12V Commercial edition	€ 646,22
	9012947A	Thermo Top E Diesel 12V Commercial edition	€ 646,22
	9013806A	Thermo Top E Gasoline 12V T91	€ 856,30
	9013807A	Thermo Top E Diesel 12V T91	€ 856,30
	9010931B	Thermo Top E Gasoline 12V T100 HTM	€ 922,69
	9010932B	Thermo Top E Diesel 12V T100 HTM	€ 922,69
	9003169C	Thermo Top E Gasoline 12V BASIC without Control unit	€ 594,83
	9003170C	Thermo Top E Diesel 12V BASIC without Control unit	€ 594,83
	9009334B	Thermo Top E Diesel 12V Marine	€ 948,00

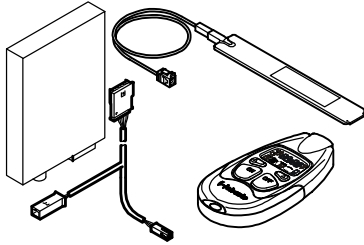


Telestart T91 Electric	X	X	X							

Technical Data	
<b>Receiver</b>	
Weight	80 g
Transmission power/range typical-optimum	25 mW/600-1000 m
Input sensitivity, dBm	-107 on 50 ohms
Frequency MHz	868.3 MHz
Operating voltage	9 - 12V DC
Current consumption, mA	
Temperature range storage/operation °C	-20.... +70 / -40... +70
Connections	
Approval	CE (e1 024024)
<b>Transmitter</b>	
Dimensions (LxW)	54 x 12 x 16 mm
Weight	16 g
Transmission power/range typical-optimum	25 mW/600-1000 m
Input sensitivity, dBm	-107
Frequency MHz	868.3 MHz
Operating voltage	Battery 1 x 3.1V (type DL 1/3N)
Display	Flashing LED
Temperature range storage/operation °C	-40... +85 / 0.... +50
Freedom from leaks	IP54
Connections	SMB, FAKRA interface, coding I, MQS 6-pin tyco 1-1241370-1
Approval	CE (e1 024024)
<b>Tolerance ± 10%</b>	

Picture	Order Number	Description	Price
	9013796A	Telestart T91 Telestart-Set T91, heating time 10-60 min (with return signal, for upgrading units with digital timers)	€ 259,66
	9013810A	Telestart T91 Antenna extension T91 (bag)	€ 12,30
	9014542A	Telestart T91 transmitter T91, heating time 10-60 min (with return signal)	€ 119,00

## Heating Systems



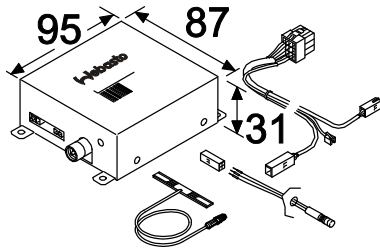
## Comfort Accessories

## Telestart T100 HTM

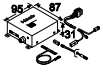
Telestart T100 HTM Electric	X	X	X							

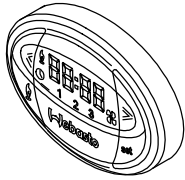
Technical Data	
<b>Receiver</b>	
Weight	80 g
Transmission power/range typical-optimum	25 mW/600-1000 m
Input sensitivity, dBm	-107
Frequency MHz	868.3
Operating voltage	9 - 16 V DC
Current consumption, mA	
Temperature range storage/operation °C	-20.....+70 / -40.....+70
Connections	Antenna connector: System connector, connection temperature sensor
Permissible combustion-air intake temperature	CE (e1 024024)
<b>Transmitter</b>	
Weight of heater	45 g
Transmission power/range typical-optimum	25 mW/600-1000 m
Input sensitivity, dBm	-107
Frequency, MHz	868.3
Operating voltage	Battery 6V (recommended: PX28L Duracell)
Temperature range storage/operation °C	-40.....+85 / 0.....+50
Connections	SMB, FAKRA interface, coding I, MQS 6-pin tyco 1-1241370-1
Approval	CE (e1 024024)
<b>Tolerance ± 10%</b>	

Picture	Order Number	Description	Price
	9010148C	Telestart T100 HTM	€ 326,89
	9013467A	Telestart T100 HTM transmitter T100 HTM with battery	€ 134,00
	9014881A	Telestart T100 HTM heating time 10-60 min (W-Bus Thermo Top V)(with return signal, for upgrading units with digital timers)	€ 326,89



Technical Data	
<b>Call Locate</b>	
Dimensions in mm	115x84x31
Approval	Corresponding EU directives for installation in motor vehicles
Function heating	X
Function ventilation	X
Function digital timer	X
Function heating time/duration	X
Operation	Sound selection/by SMS
Operating comfort	Voice menu
Locating (GPS)	X
Emergency Service	X
Distance - free choice of network provider	Mobile telephone network Europe-wide location
Antenna GSM	FME
Antenna GPS	MCX
Frequency, mHz	900/1800
Operating voltage	9-30 V
Current consumption Start	16 MA (Max. 2 minutes)
Current consumption Middle	<120 mA
Current consumption Standby	<10 mA
Current consumption Shut down	< 4 mA
<b>Comfort</b>	
Dimensions in mm	115x84x31
Approval	Corresponding EU directives for installation in motor vehicles
Function heating	X
Function ventilation	X
Function digital timer	X
Function heating time/duration	X
Operation	Sound selection/by SMS
Operating comfort	Voice menu
Distance - free choice of network provider	Mobile telephone system
Antenna GSM	FME
Frequency, mHz	900/1800
Operating voltage	9-30 V
Current consumption Start	16 MA (Max. 2 minutes)
Current consumption Middle	< 5 mA
Current consumption Standby	<10 mA
Current consumption Shut down	< 4 mA
<b>Connect</b>	
Function heating	X
Function heating time/duration	X
Operation	by SMS
Operating comfort	SMS text
Distance - free choice of network provider	Mobile telephone system
Approval	Corresponding EU directives for installation in motor vehicles
Antenna GSM	FME
Dimensions in mm	97x79x30
Frequency, mHz	900/1800
Operating voltage	10 - 14V
Current consumption Start	16 MA (Max. 2 minutes)
Current consumption Middle	6.5 mA
Current consumption Standby	4.5 mA
Current consumption Shut down	4.5 mA
<b>Tolerance ± 10%</b>	

Picture	Order Number	Description	Price
	9013654A	Thermo Call TC 2.0 Series Connect, without SIM card, international	€ 368,91
	9013655B	Thermo Call TC 2.0 Series Locate, with SIM card, German	€ 772,27
	9013656B	Thermo Call TC 2.0 Series Comfort, with SIM card, German	€ 478,15
	9013657A	Thermo Call TC 2.0 Series Comfort, German without SIM card	€ 478,15
	9014272A	Thermo Call TC 2.0 Series Locate, without SIM card, international	€ 772,27
	9014283A	Thermo Call TC 2.0 Series Comfort, English	€ 478,15
	9014284A	Thermo Call TC 2.0 Series Comfort, Swedish	€ 478,15
	9014286A	Thermo Call TC 2.0 Series Comfort, Danish	€ 478,15
	9015708A	Thermo Call TC 2.0 Series Comfort, Russian	€ 478,15
	9015709A	Thermo Call TC 2.0 Series Locate, Russian	€ 772,27
	9016459A	Thermo Call TC 2.0 series Locate, Danish	€ 772,27



Digital Timer 1533 Electric	X	X	X							

Technical Data	
<b>12V</b>	
Adjustment range	12 V
Voltage range	9.5 - 12 V
Operating temp. range	-40 - +80 °C
Output current	> 70 mA
Current consumption	<1 mA
Dimensions (LxW)	64 x 43 mm
<b>Tolerance ± 10%</b>	

Picture	Order Number	Description	Price
	1301122C	Digital timer 1533 Heating time 1,0 h 3 times	€ 60,50
	9005753C	digital timer 1533 upgrade kit digital timer, heating time 1,0 h, 3 heating times (for upgrade of Tele-units with T80 / T91)	€ 70,59