

JOST

**Products for
articulated vehicle
semi-trailers
trailers**





JOST

www.jost-world.com

This catalogue contains our complete range of products and the appropriate spare parts for **articulated vehicle equipment, semi-trailers and trailers**. The dimensions given are those most frequently encountered. The models with their numerous variations are depicted by way of the type designations.

We reserve the right to make **changes to the technical specifications** of all the products depicted in this catalogue. Please refer to the appropriate documentation for installation, assembly and repair instructions.

How to contact us:

JOST-Werke
Siemensstraße 2
D-63263 Neu-Isenburg

Phone: +49 (0) 61 02/2 95-0
Fax: +49 (0) 61 02/2 95-2 98
E-Mail: jost-sales@jost-werke.de



Ball bearing turntables and slewing rings

Page 8 - 13

General features, fitting and component parts	Page	8 - 9
Ball bearing turntables KLK HE and SO	Page	10
Slewing rings KDL 900	Page	11
Ball bearing turntables KLK L and N	Page	12
Ball bearing turntables KLK ND	Page	12
General information / Terms of guarantee	Page	13



Systems

Page 14 - 25

General features, fitting and component parts	Page	14
KKS (Automatic coupling system)	Page	14 - 20
SKS (Sensor coupling system)	Page	21 - 22
Sensor coupling	Page	23 - 25



Fifth wheel couplings and mounting plates

Page 26 - 85

General features, fitting and component parts, product overview	Page	26 - 31
2" fifth wheel couplings JSK 26D	Page	32
2" fifth wheel couplings JSK 36 DA	Page	33 - 34
2" fifth wheel couplings JSK 36 DV	Page	35 - 36
2" fifth wheel couplings JSK 37 C/CW	Page	37 - 40
2" fifth wheel couplings JSK 37 E/EW	Page	41 - 43
2" fifth wheel couplings JSK 37 EA/EAW	Page	44 - 48
2" fifth wheel couplings JSK 37 ER/ERW	Page	49 - 51
2" fifth wheel couplings JSK 37 ME140/ME140W	Page	52 - 54
2" fifth wheel couplings JSK 42 K0	Page	55 - 56
2" fifth wheel couplings JSK 42 K2 - K6	Page	57 - 58
2" fifth wheel couplings JSK 42 K7 (Scania)	Page	59 - 60
2" fifth wheel couplings JSK 42 K8 (Volvo)	Page	61 - 62
2" fifth wheel couplings JSK 42 with integrated LubeTronic-5Point	Page	63 - 64
2" fifth wheel couplings JSK 42 MK 162	Page	65 - 66
3 1/2" heavy duty fifth wheel couplings JSK 38 C1	Page	67 - 68
3 1/2" heavy duty fifth wheel couplings JSK 38 G1	Page	69 - 70
3 1/2" heavy duty fifth wheel couplings JSK 38 MC	Page	71 - 72
3 1/2" heavy duty fifth wheel couplings JSK 50	Page	73 - 74
Mounting plates and mounting kits for 2" fifth wheel couplings	Page	75 - 76
Mounting plates and mounting kits for 3 1/2" heavy duty fifth wheel couplings	Page	77 - 78

Accessories

Flashtronic, LubeTronic	Page	79 - 80
Automatic lubricator	Page	81
Wear limit gauge 2"	Page	82
General information / Terms of guarantee	Page	83



Dual-height fifth wheel systems

Page 84 - 93

General features, fitting and component parts	Page	84
Dual-height fifth wheel systems JSK DH	Page	85 - 87
Dual-height fifth wheel systems RO*66 Hydra Lift	Page	88 - 91
General information / Terms of guarantee	Page	92



Sliders

Page 94 - 101

General features, fitting and component parts	Page	94
Sliders JSK SL	Page	95 - 97
Sliders EV HD	Page	98 - 99
Sliders EV M	Page	100
General information / Terms of guarantee	Page	101



2" and 3 1/2" king pins

Page 102 - 109

General features, fitting and component parts	Page	102 - 103
Product overview	Page	103
King pins KZ 1108 / 1110 / 1112; KZ 1116 / 1120	Page	104 - 105
King pins KZ 1008 / 1010 / 1012; KZ 1410 / 1412	Page	106 - 107
King pins KZ 1016; KZ 1516	Page	106 - 107
King pins KZ 1416; KZ 2816	Page	106 - 107
King pins KZ 1312	Page	107
Accessories		
Steering wedge SK 2122-40	Page	108
King Pin Lock for semi-trailer DS 2000, DS 2000 G	Page	109
General information / Terms of guarantee	Page	109



Landing gear

Page 110 - 159

General features, fitting and component parts	Page	110 - 111
Modul B		
Product overview Modul B	Page	112 - 115
Modul C		
Product overview Modul CB / Modul CC / Modul CD / Modul CF Modul CH / Modul CI / Modul CK / Modul CS / Modul CT / Modul CW / Modul CY	Page	116 - 150
Drawbar landing legs		
Product overview drawbar landing legs and accessories	Page	151
L500		
Product overview landing gear L500	Page	152 - 154
E 100		
Product overview landing gear E 100/140 (Aluminium version)	Page	155 - 156
Easy Drive		
Product overview Easy Drive and accessories	Page	157
General information / Terms of guarantee	Page	158



Hubodometers and axle caps

Page 160 - 166

General features, fitting and component parts	Page	160
Order numbers for hubodometers (rolling circumference / tyre size table)	Page	161
Special axle cap with integrated hubodometer for axles manufactured by Daimler	Page	162
For axles manufactured by BPW ECO	Page	163
Axle caps with mounted JOST Hubodometer	Page	163
General information / Terms of guarantee	Page	164

JOST



Original spare parts

Some people might view fifth wheels, telescopic landing gear and king pins as possibly the least exciting components of a high-tech commercial vehicle. But as every lorry driver knows, nothing whatsoever works without them. And because these components are in service for hundreds of thousands of kilometres every day, they need to be safe and reliable.

The use of top-quality materials guarantees outstanding safety, while computer-controlled production plants and fully qualified staff ensure flawless quality "Made in Germany".

And that's the least you should demand when it comes to spare parts, too.

How much do you value your safety?

JOST products are crucial safety components that are subject to mandatory design approval and bear a mark of conformity.

It is important to bear in mind that these only retain their validity if original spare parts are used. The manufacturer's guarantee – e.g. for the faultless operation of fifth wheel couplings for 500,000 km – also only applies if original JOST spare parts have been fitted.

A simple example demonstrates just how important the quality of spare parts is: king pins and the lock jaws of the fifth wheel coupling hold the whole unit together. And in an emergency – such as an accident – the connection must be able to hold 2 1/2 times the vertical load on the tractor.

Check wearing parts for safety's sake

Thanks to their superior quality, all JOST products are designed for long-term, reliable operation.

However, it is of course crucial that service intervals are maintained and wearing parts are replaced in good time. And JOST can offer you a helping hand with that in many ways.

For example, the JOST wear limit gauge could be an important aid for you: the locking mechanism of 2" fifth wheel couplings is factory-adjusted so that with a new king pin there is horizontal play of approx. 0.3 mm in the direction of travel. This horizontal play may increase to as much as 2 mm when the lock jaw or wearing ring become worn. JOST fifth wheel couplings provide for infinitely variable adjustment to compensate for wear in the locking mechanism. Only when these adjustment options have been exhausted is it necessary to replace the wearing parts. With the JOST wear limit gauge, you can identify uncoupled whether the locking mechanism of a 2" fifth wheel coupling or a 2" king pin has reached or exceeded the permissible limit of wear.



You can find the latest technical information on the Internet at

www.jost-world.com

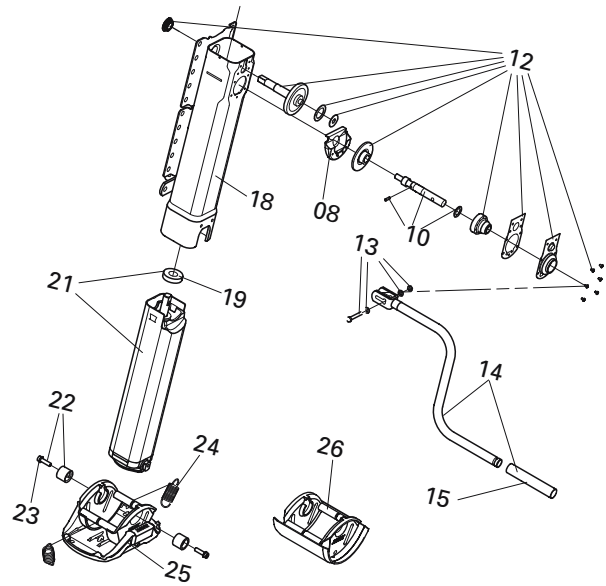
Original spare parts – the right selection, the right quantity, available worldwide!

To us, service means fulfilling the needs of the market. That's why at JOST you can order almost any component of a product individually.

You will find a product and a table of spare parts for each assembly unit in our catalogue, where you will also find the order number and the quantity of each part necessary for the product.

To make sure that your vehicles are on the road and not sitting in the garage, rapid availability of spare parts is also crucial. The worldwide supply of original spare parts in the shortest possible times offers you the necessary security that only a truly worldwide manufacturer, like JOST, can provide.

And in case you don't happen to have a catalogue to hand, you can find your spare parts easily on the Internet, wherever you are. At www.jost-world.com, all our products are presented with their relevant spare parts and updated daily.



Repair and retrofit kits – practical combinations, years of experience

JOST has been active in the market for more than 50 years. We know what demands are placed on our products, and by working closely with our clients we are able to develop and optimise our designs.

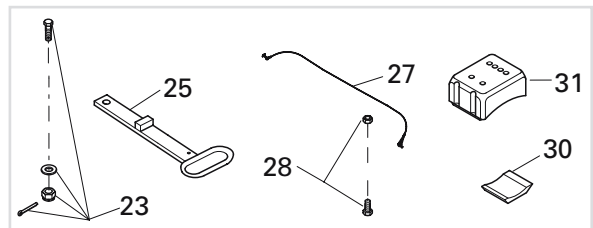
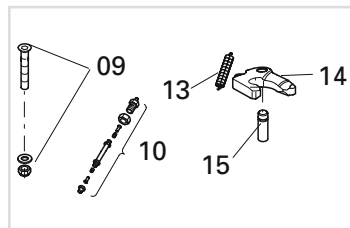
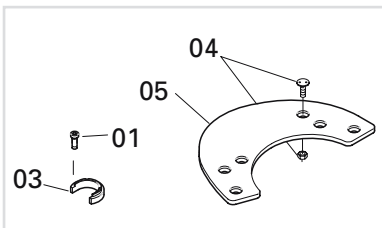
And the same goes for the repair kits. The most important wearing parts can be ordered under one article number. Repair kits are available, for example, for the following:

- Fifth wheel coupling locking mechanisms
- Top plate liners for low-maintenance fifth wheel couplings
- Fifth wheel coupling bearings
- Telescopic landing gear

Sand shoes and pins are also available individually for king pins.

The retrofit kits ensure flexibility, allowing all fifth wheel couplings to be fitted with a handle extension at a later date, for example. The locking mechanism of heavy-duty fifth wheel couplings from the JSK 38 series can be altered from 3 1/2" to 2".

All telescopic landing gear can be fitted with various feet. This is particularly simple in the case of Modul which has a quick-change system, enabling you to swap between the different types of feet in no time at all.





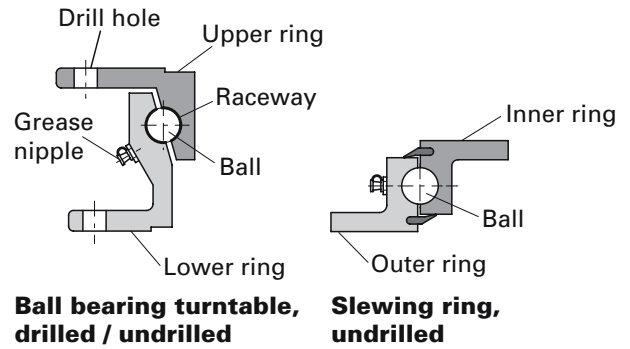
1 Ball bearing turntables and slewing rings

Ball bearing turntables and slewing rings are parts for fitting onto trailers and agricultural vehicles to connect the A-frame to the trailer chassis so it can swivel.

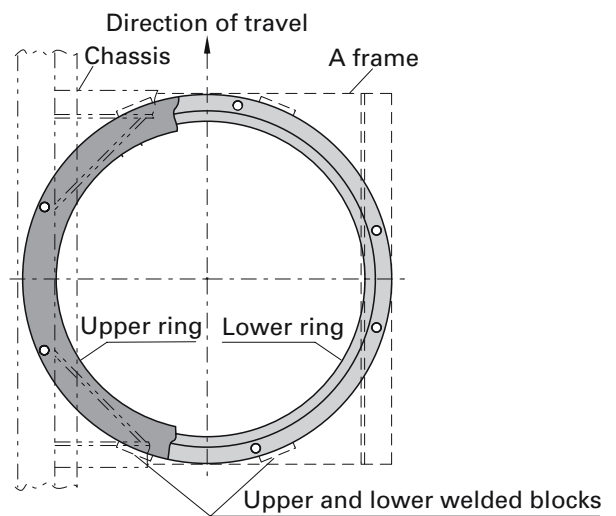
Ball bearing turntables and slewing rings must always be operated as set out in the relevant operating instructions for the particular vehicle. Compliance with "TÜV" Safety Regulations and Motor Vehicle Safety Standards (StVZO) is required in Germany.

JOST ball bearing turntables and slewing rings cover the complete spectrum of trailer technology and have a solution to suit all applications.

Design/features

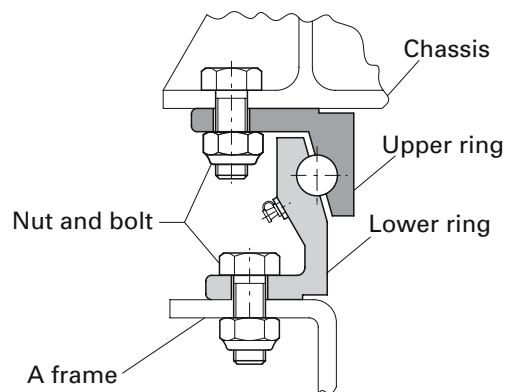


The ball bearing turntables and slewing rings allow the bogie to turn relative to the trailer frame. They transfer both the axial force and the thrust and tensile forces that occur during a journey.



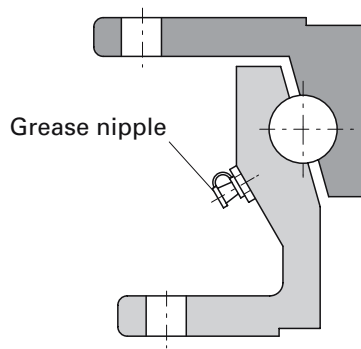
The lower ring/outer ring is bolted on to the A-frame and the upper ring/inner ring is bolted to the chassis. The A-frame, ball bearing turntable or slewing ring and chassis must never be welded together. Pre-welded stop blocks relieve the shear load on the bolts resulting from horizontal forces.

The ring must be mounted on a completely flat and rigid base with at least 50 % of the circumference adequately supported.

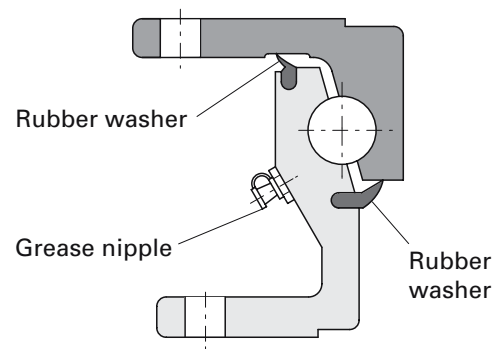


Ball bearing turntables are available in drilled and undrilled versions. Slewing rings are available in undrilled versions only.

Maintenance



Standard



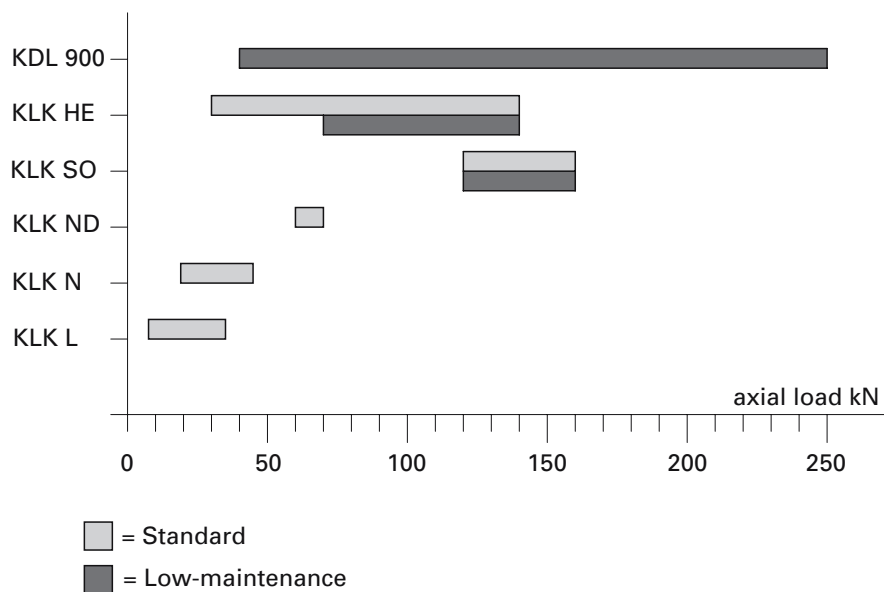
Low-maintenance

JOST standard ball bearing turntables are supplied with a thin base coating of lubricant. Before it is used for the first time the ball bearing turntable must be lubricated thoroughly. See JOST installation and operating instructions.

Connection to the central vehicle lubrication system is possible (grease is essential, rather than oil).

The low-maintenance versions of ball bearing turntables and slewing rings mean they do not have to be maintained for up to three years or 300,000 km. After this period they must be serviced in the same way as standard turntables. The low-maintenance models are distinguished by a green type plate and by the letter "W" at the end of the item number. Maintenance conditions differ when fitted to steered semi-trailers or in the case of heavy conditions of use.

Axial load



The range of applications for ball bearing turntables and slewing rings depends on the maximum axle load. JOST ball bearing turntables and slewing rings cover an axle load range from 7.5 to 250 kN.

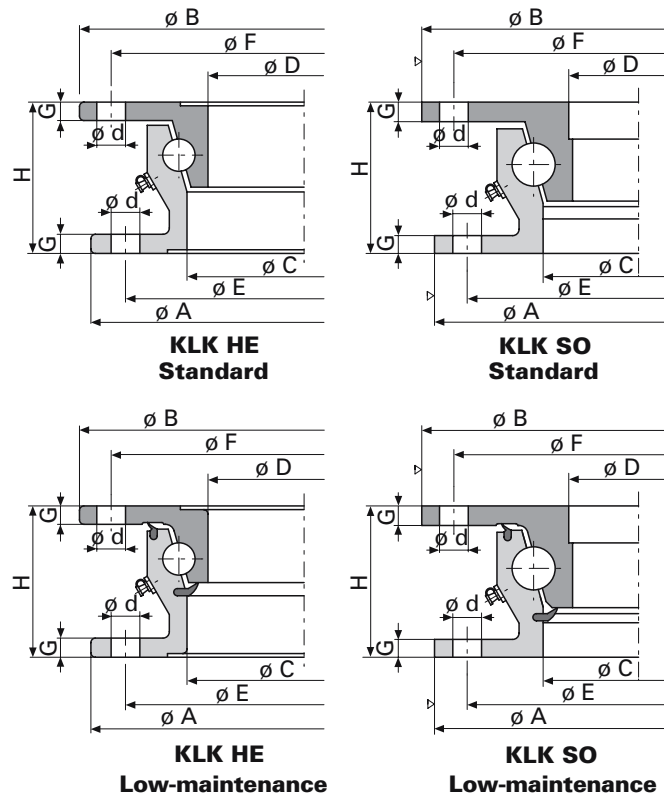
The specified axle loads for series KDL, HE, SO and ND relate to use where the slewing ring is mounted on the front axle of a trailer with three axles and fifth wheel steering, travelling at speeds of up to 100 kph (65 mph). On dual-axle trailers, the specified axle loads can be exceeded by 10% or 20% at speeds below 30 kph (18 mph).

All load data for series KDL, HE, SO, ND, L and N apply to use on roads in fifth wheel steering systems and for paved standard road conditions in Central Europe.

If the ball bearing turntable and slewing ring are to be mounted above the steered axle and above the king pin on semi-trailers, please ask JOST for the load data, giving details of the vehicle. Any deviations are given on the specification sheet.

Ball bearing turntables KLK HE and SO

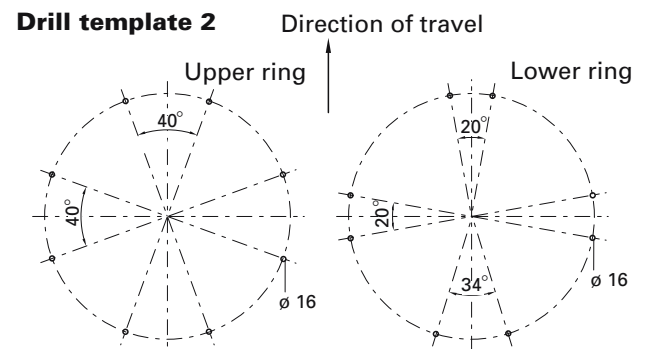
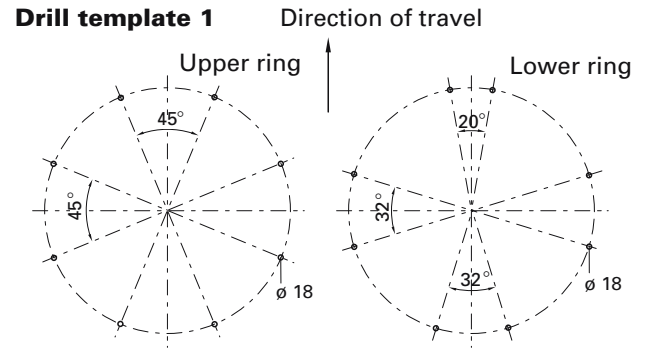
Technical Specification



▽ = Shaped profile

Included in supply

- Standard / Low-maintenance
- Drilled / Undrilled
- Primed



Selection table / Versions available

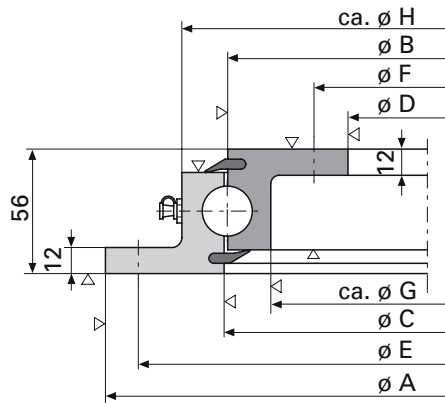
Order No.	Permitted axial load (kN)	A (mm)	B (mm)	C (mm)	D (mm)	E (mm)	F (mm)	d (mm)	G (mm)	H (mm)	Weight (appr. kg)	WA	Drill template No.
KLK HE 4	30	685	700	588	567	657	671		9	80	32.0	Standard	Undrilled
KLK HE 5	50	880	895	783	762	852	866	16	9	80	43.0	Standard	2
KLK HE 6-1000	60	1000	1015	903	882	972	986		9	80	48.0	Standard	Undrilled
KLK HE 6	65	1090	1105	993	972	1060	1074	18	9	80	52.0	Standard	1
KLK HE 12-1000	70	1000	1011	886	859	960	974		10	90	63.0	Standard	Undrilled
KLK HE 12-1000 W	70	1000	1008	881	850	960	974		10	90	65.0	Low-mainte.	Undrilled
KLK HE 12	80	1100	1111	986	959	1060	1074	18	10	90	69.0	Standard	1
KLK HE 12 W	80	1100	1108	977	946	1060	1074	18	10	90	72.0	Low-mainte.	1
KLK HE 18-1000	80	1000	1011	886	859	960	974		10	90	63.0	Standard	Undrilled
KLK HE 18-1000 W	80	1000	1008	881	850	960	974		10	90	65.0	Low-mainte.	Undrilled
KLK HE 18	100	1100	1111	986	959	1060	1074	18	10	90	69.0	Standard	1
KLK HE 18 W	100	1100	1108	981	950	1060	1074	18	10	90	72.0	Low-mainte.	1
KLK HE 1000-22	100	1000	1011	886	859	960	974		10	90	63.0	Standard	Undrilled
KLK HE 1000-22 W	100	1000	1008	881	850	960	974		10	90	65.0	Low-mainte.	Undrilled
KLK HE 1100-22	120	1100	1111	986	959	1060	1074	18	10	90	69.0	Standard	1
KLK HE 1100-22 W	120	1100	1108	981	950	1060	1074	18	10	90	72.0	Low-mainte.	1
KLK SO 1000-24	120	987	1000	873	842	952	966		10	90	68.0	Standard	Undrilled
KLK SO 1000-24 W	120	987	1000	871	844	952	966		10	90	69.0	Low-mainte.	Undrilled
KLK HE 1200-22	130	1200	1211	1086	1059	1160	1174	18	10	90	76.0	Standard	1
KLK HE 1200-22 W	130	1200	1208	1081	1050	1160	1174	18	10	90	80.0	Low-mainte.	1
KLK HE 1300-22	140	1300	1311	1186	1159	1260	1274		10	90	84.0	Standard	Undrilled
KLK HE 1300-22 W	140	1300	1308	1181	1150	1260	1274		10	90	89.0	Low-mainte.	Undrilled
KLK SO 1100-24	160	1095	1108	981	950	1060	1074	18	10	90	75.0	Standard	1
KLK SO 1100-24 W	160	1095	1108	979	952	1060	1074	18	10	90	76.0	Low-mainte.	1
KLK SO 1200-24	180	1195	1208	1081	1050	1160	1174	18	10	90	83.0	Standard	1

Explanations:

WA / Maintenance

Slewing ring KDL 900

Technical Specification



▽ = Shaped profile

Included in supply

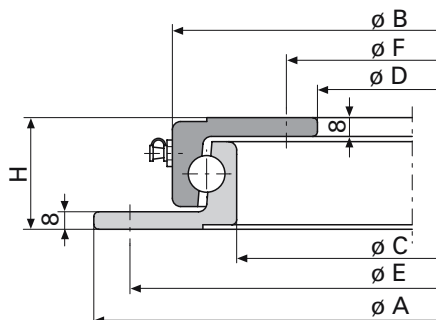
- Low-maintenance
- Undrilled
- Hardened bearings
- Primed

Selection table / Versions available

Order No.	Permitted axial load (kN)	A (mm)	B (mm)	C (mm)	D (mm)	E (mm)	F (mm)	G (mm)	H (mm)	Weight (appr. kg)
KDL 900-1 W	40	520	409	412	302	490	332	371	451	25.0
KDL 900-2 W	80	650	539	542	432	620	462	501	581	32.0
KDL 900-3 W	120	750	639	642	532	720	562	601	681	39.0
KDL 900-4 W	150	850	739	742	632	820	662	701	781	45.0
KDL 900-5 W	180	950	839	842	732	920	762	801	881	51.0
KDL 900-6 W	210	1050	939	942	832	1020	862	901	981	57.0
KDL 900-7 W	250	1200	1089	1092	982	1170	1012	1051	1131	67.0

Ball bearing turntables KLK L and N

Technical Specification



Included in supply

- Standard
- Undrilled
- Primed

Scope

Application	Speed	Series
Farm vehicle	up to 30 km / h	L
Transport equipment	up to 30 km / h	L
Farm vehicle, heavy	over 30 km / h	N
Truck trailer, light	over 30 km / h	N

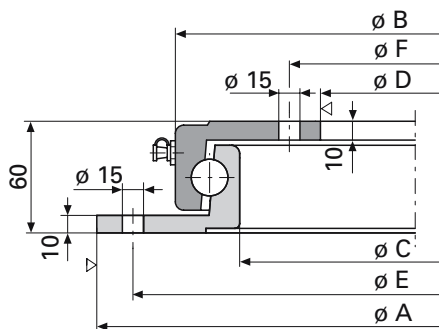
At a speed of less than 30 kph the maximum axial load for the N series can be increased by 30 to 50.

Selection table / Versions available

Order No.	Permitted axial load (kN)	A (mm)	B (mm)	C (mm)	D (mm)	E (mm)	F (mm)	H (mm)	Weight (appr. kg)
KLK 400L	7.5	400	342	292	230	375	260	45	11.0
KLK 500L	9	500	442	392	330	475	360	45	15.0
KLK 650L	15	650	592	542	480	625	510	45	20.0
KLK 750L	18	750	692	642	580	725	610	45	23.0
KLK 850L	25	850	792	742	680	825	710	45	27.0
KLK 950L	30	950	892	842	780	925	810	45	30.0
KLK 1050L	35	1050	992	942	880	1025	910	45	34.0
KLK 500N	18	500	437	384	315	475	340	52	17.0
KLK 650N	25	650	587	534	465	625	490	52	23.0
KLK 750N	30	750	687	634	565	725	590	52	28.0
KLK 850N	35	850	787	734	665	825	690	52	32.0
KLK 950N	40	950	887	834	765	925	790	52	36.0
KLK 1050N	45	1050	987	934	865	1025	890	52	40.0

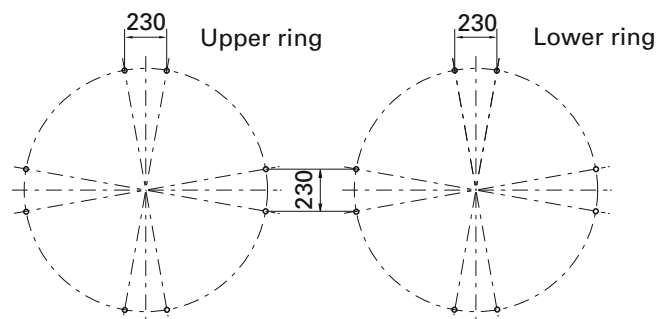
Ball bearing turntables KLK ND

Technical Specification



Included in supply

- Standard
- Drilled
- Primed



Selection table / Versions available

Order No.	Permitted axial load (kN)	A (mm)	B (mm)	C (mm)	D (mm)	E (mm)	F (mm)	Weight (appr. kg)
KLK 950 ND	60	952	885	821	750	920	780	52.0
KLK 1100 ND	70	1102	1027	963	890	1070	920	61.0



General information

Order information

Available ball bearing turntables and slewing ring series are specified in the respective selection tables by means of an order reference number.

Scope of supply, storage, transport and handling

Included in the supply are the ball bearing turntable or slewing ring according to the order reference number and the technical documentation requested according to the order form. If you do not intend to unpack and fit the ball bearing turntables and/or slewing rings immediately on delivery, please store them in a dry place. The maximum storage period for maintenance-free ball bearing turntables and slewing rings is three years. Ball bearing turntables and slewing rings are transported on Euro pallets.

Further documentation

You can find further technical details and information (e.g. mounting and operating instructions) at www.jost-world.com.

Terms of guarantee

Guarantee

JOST guarantees perfect dimensional and material condition, as well as the correct functioning of the ball bearing turntables and slewing rings for a period of three years or 300,000 km, whichever arises first.

Different guarantee terms apply if they are installed in forced steering semi-trailers.

Claims under guarantee

Requirements for claims under guarantee are:

- Observance of the specifications in the technical data sheet issued by JOST, proof of correct storage and compliance with our fitting and servicing instructions.
- Immediate communication of your claim and, where necessary, the return of the faulty products to JOST.
- The immediate and full completion of the technical questionnaire supplied by JOST.
- Providing an opportunity to investigate the problem and/or carry our tests on site, as well as measures to reduce damage at the discretion of JOST.

Exceptions to the guarantee

- The company ordering products from JOST is to decide on their suitability for the intended application.
- Damage caused, for example, by excessive or incorrect cleaning procedures, damage caused by prohibited operating conditions, as well as ball bearing turntables or slewing rings that have been subject to modification.
- Claims under the guarantee are restricted to repair or replacement. Claims for consequential damage are excluded.
- The period of guarantee commences with the transfer of risk.
- Our General Commercial Terms apply.



2 Systems

Coupling systems from JOST employ cutting edge electronic technology to increase safety and comfort. Three variations are currently available to handle different demands:

KKS is the groundbreaking automatic coupling system from JOST. The tried and tested components – the JSK 42 fifth wheel coupling and the Modul telescopic landing gear – form a complete system that offers our clients many advantages. The coupling process has been automated and the locking position is constantly controlled. All system components are electronically actuated. A gradual introduction of KKS into mixed fleets of vehicles is also possible, of course.

In the SKS sensor coupling system, three sensors constantly monitor the status of the fifth wheel coupling. The coupling is opened comfortably and in a time-saving manner using a remote control in the driver's cab.

During sensor coupling, the locking position is also constantly controlled by sensors and displayed via remote display in the driver's cabin.

KKS (Automatic coupling system)

KKS automates the coupling process and features electronic monitoring for improved safety.

Additional comfort

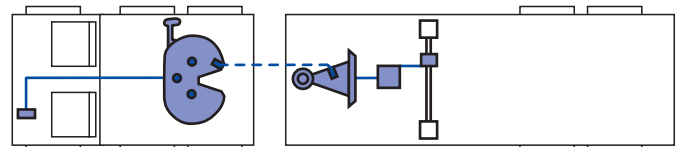
- No need to operate the fifth wheel coupling manually. KKS makes problems such as poor visibility, dirt or difficult access a thing of the past.
- No need to crank the landing gear manually. KKS performs this strenuous activity for you automatically – a particularly beneficial aspect since it is a job that often has to be undertaken in cramped conditions.
- Reduces the number of times you need to get in and out of your truck and walk round it.
- The automatic feature saves time when changing trailers.
- The pneumatic mechanism of the lock enables the fifth wheel coupling to be opened effortlessly at all times, even when the tractor/trailer unit is under tension.

Increased safety

- All system components are electronically monitored. This significantly reduces the risk of an incorrect coupling procedure or an accident due to lack of care when coupling.
- Fewer manual operations and less getting in and out of your cab add up to a significantly reduced risk of accidents for the user.
- The system is continuously self-monitoring.
- All components can still be operated mechanically without restrictions.

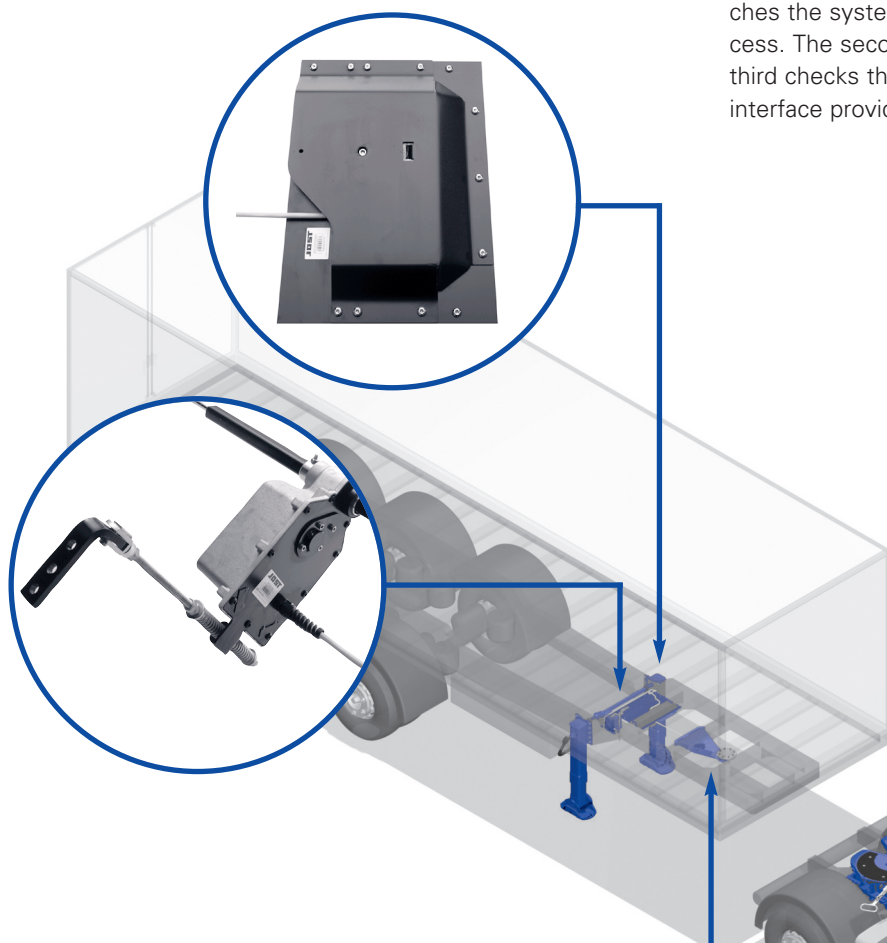
Modular system

- KKS can be introduced and rolled out gradually throughout the fleet.
- It goes without saying that a standard trailer can be hitched up to a truck equipped with KKS without any problems.



Cable drum

The cable drum adapts the length of cable when cornering and ensures that the tension on the cable is always at the optimum level.



Drive

The drive fits on every pair of JOST telescopic landing gear with a connection shaft, excepting those with folding and drop legs. It is pushed onto the connecting shaft and is responsible for moving the landing gear units automatically. The kit contains an articulated crank handle that is designed for the JOST landing gear type module.

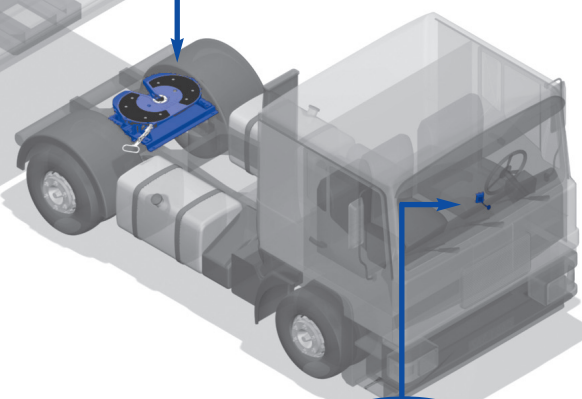
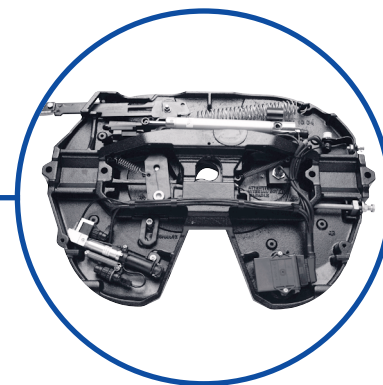


Wedge

The wedge is in a rotating bearing on the king pin. This is where the interface to the fifth wheel coupling is located. Signals are transmitted between the truck and the trailer via this interface.

JSK 42

The JSK 42 fifth wheel coupling is pneumatically operated and is equipped with three sensors. The first of these provides information about the correct connecting height and switches the system on automatically during the connecting process. The second controls the position of the king pin and the third checks the locking position. The newly developed interface provides contact with the semitrailer.



Remote control

The remote control in the cab checks whether the fifth wheel coupling is locked and displays this information in the cab. It also monitors the lifting and lowering of the landing gear units and checks both the coupling plate distance and the position of the king pin. All actions are controlled using the remote control.

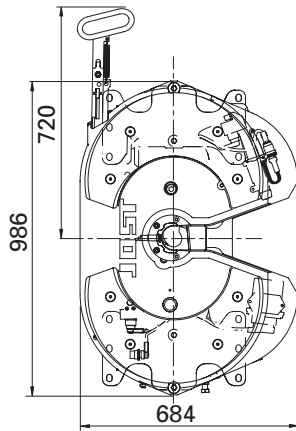


Technical Specification

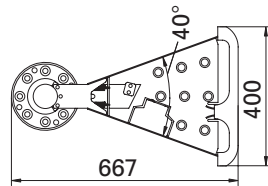
The automatic coupling system complies with the following directives / standards: 94/20/EC – class G50, DIN 74081, ISO 3842, in this version and/or 95/54/EC for directive 72/245/EEC.

Note:

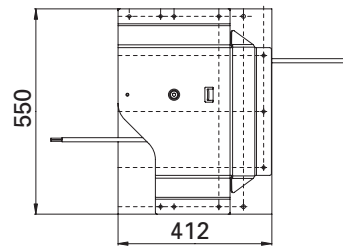
Before installing KKS, please make sure that electric and air connections are available.



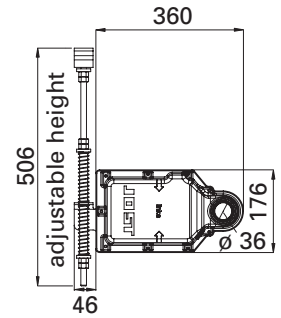
Fifth wheel coupling



Wedge



Cable reservoir



Drive

Selection table / Versions available

Plate mounting

Order No.	LB	H (mm)	Weight (kg)	WA
JSK42K02079AA	K0	150	134.0	Z
JSK42K02080AA	K0	150	133.0	W
JSK42K03879AA	K0	185	132.0	Z
JSK42K03880AA	K0	185	131.0	W

Chassis mounting

Order No.	LB	H (mm)	Weight (kg)	WA
JSK42K22079AA	K2	150	138.0	Z
JSK42K22080AA	K2	150	138.0	W
JSK42K24079AA	K2	190	145.0	Z
JSK42K24080AA	K2	190	144.0	W
JSK42K32079AA	K3	150	136.0	Z
JSK42K32080AA	K3	150	135.0	W
JSK42K34079AA	K3	190	140.0	Z
JSK42K34080AA	K3	190	140.0	W
JSK42K42079AA	K4	150	138.0	Z
JSK42K42080AA	K4	150	138.0	W
JSK42K62079AA	K6	150	136.0	Z
JSK42K62080AA	K6	150	136.0	W
JSK42K64079AA	K6	190	141.0	Z
JSK42K64080AA	K6	190	140.0	W

Truck kit

(remote control unit and cable set)

Order No.	Order No.	Weight (kg)
JOST	Daimler	
SKE003790000	B67893725	2.4

Trailer kit

(wedge, cable drum, drive and crank)

Order No.	Order No.	Weight (kg)
JOST	Daimler	
JS T01	B67893717	31.6

Customer hole pattern

LB	C	D	E	F	G	I
K2	887	304.5	406	507.5	42	18
K3	868	300		500	40	22
K4	860	300	400	500	40	18
K6	859.4	315	405	495	28	18

Explanations:

WA / Maintenance

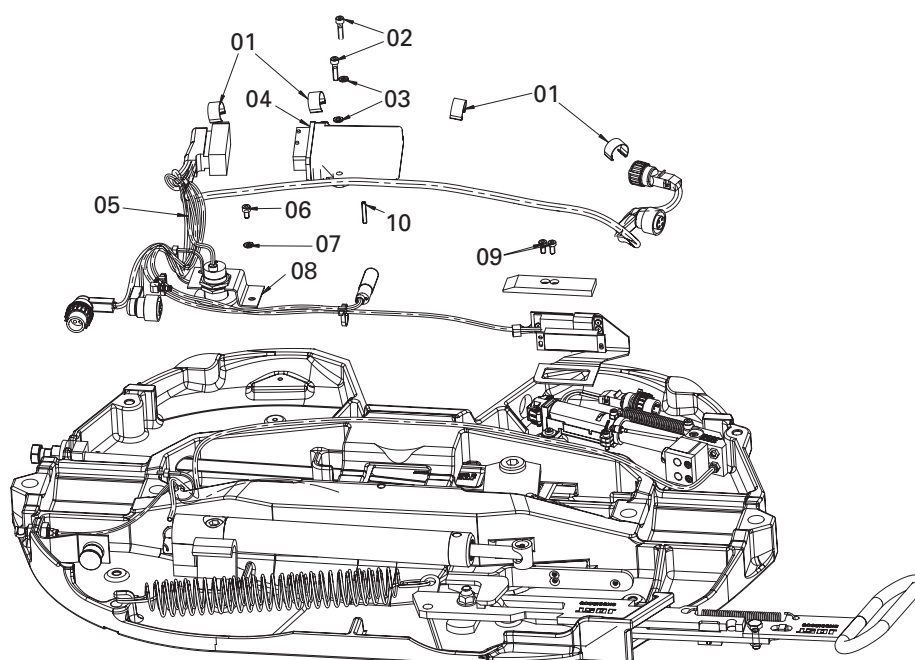
Z = Prepared for central lubrication

W = Low-maintenance version

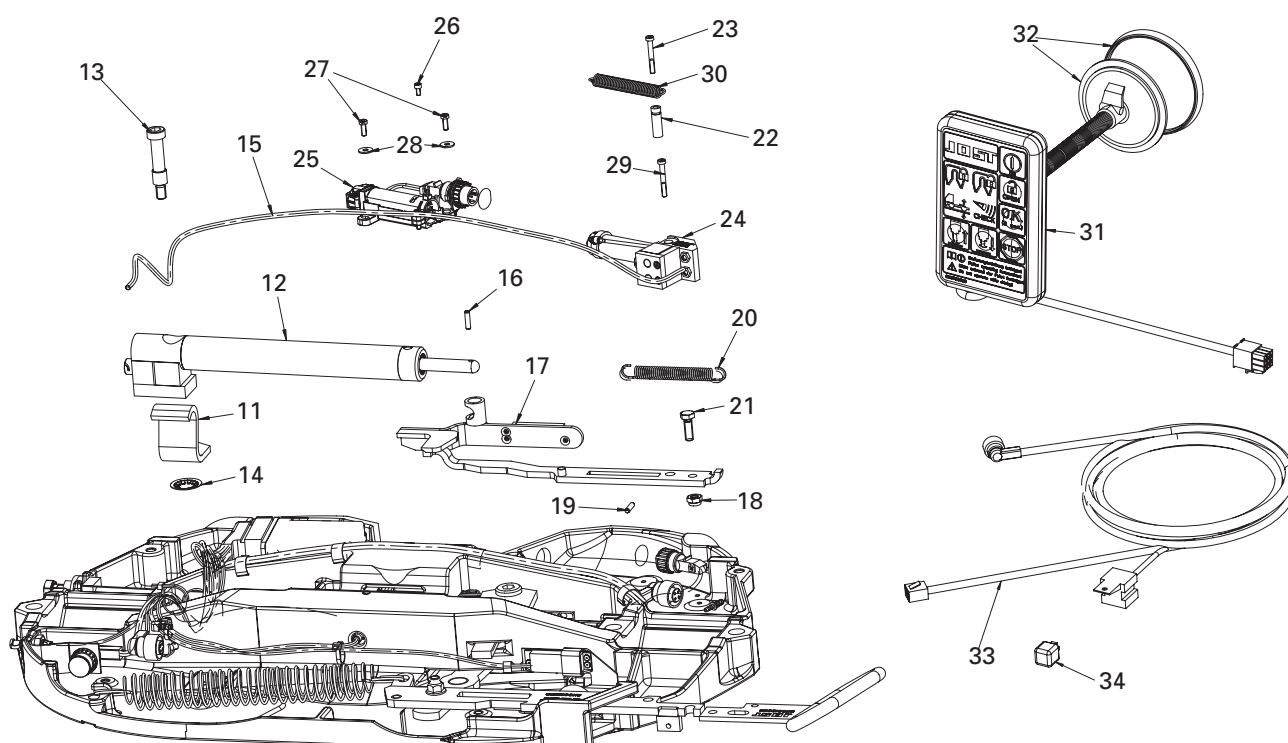
LB / Oval hole

Fifth wheel coupling KKS

Spare parts: Electronic and Sensors



Spare parts: Electric and Pneumatics



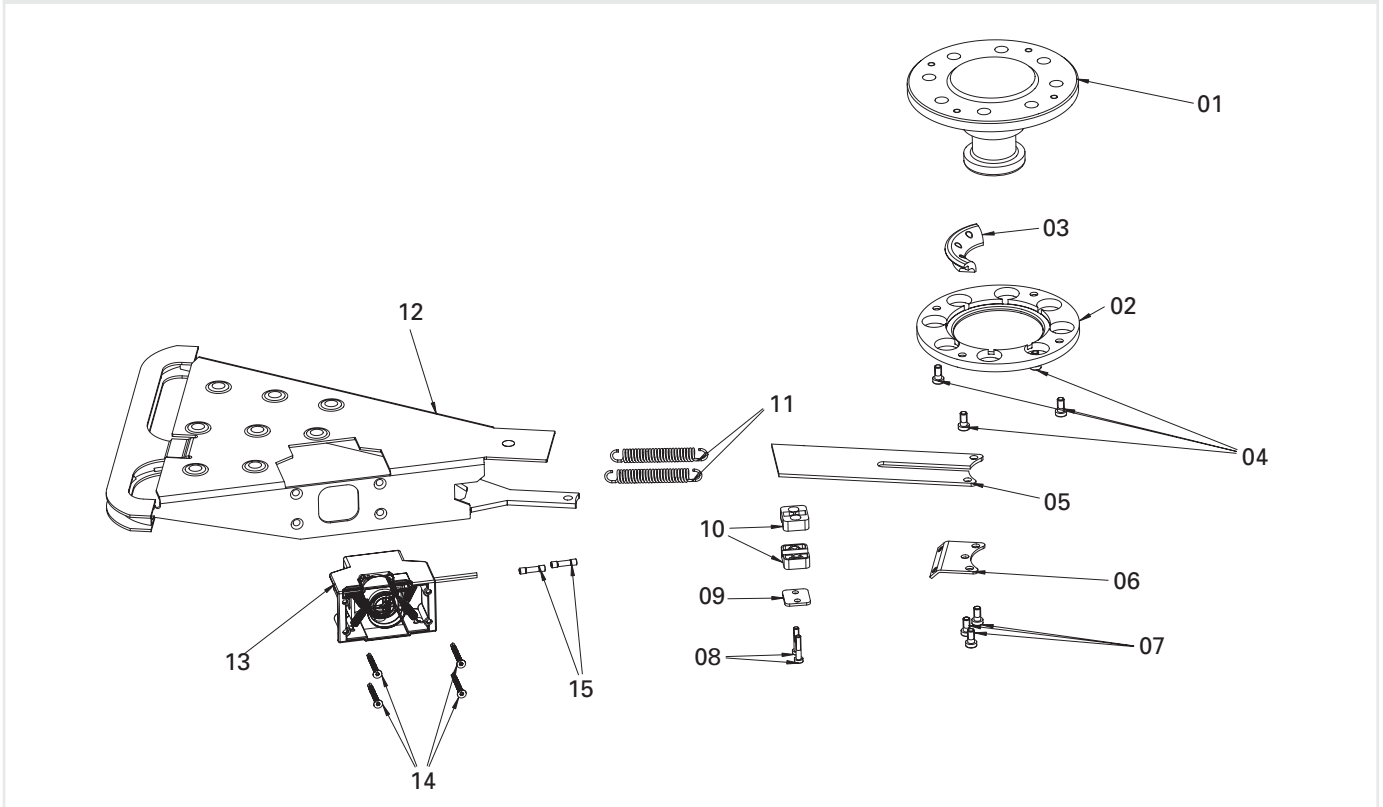
Repair kits

Item	Description	Order No.	Item	Description	Order No.
31, 32	KKS display without activation of parking break	SKE003300000	12, 13, 14, 16, 18	Kit opening cylinder	SKE 003230100
31, 32	KKS display with activation of parking break	SKE003300200	15, oZ	Kit pneumatic pipe inbetween cylinders	SKE 003870100
33, 34	Kit trunk cable	SKE 003310200	04	KKS control device without activation of parking break	SKE003180000
34	Relay	SKE 003800100	04	KKS control device with activation of parking break	SKE003180200
01, 05, 06, 07, 08, 09, 10, oZ	Kit cable harness in 5th wheel	SKE 003190000	24, 26, 27, 28, 29	Kit cylinder for connector KKS	SKE 003380100
17, 18, 19, 20	Kit locking lever + magnet	SKE 001360100	01, 25, 26, 27, 28, 29	Kit connector KKS	SKE 003130100

Note: For spare parts for the fifth wheel coupling, see JSK 42

Wedge KKS

Spare parts

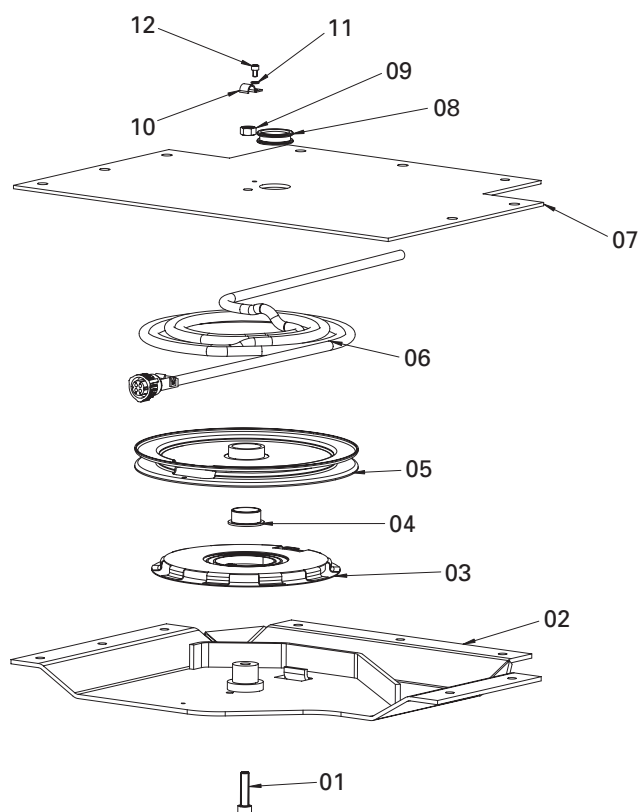


Repair kits

Item	Description	Order No.	Item	Description	Order No.
01-14, 15	Kit wedge assembly	KGE 500150100	06, 07, 11	Kit wedge suspension	KGE 500230100
01, 04	Kit king pin	KGE 501201020	13, 14, 15	Connector KKS - wedge	KGE 500160100
02, 03, 04, 07	Kit wedge attachment	KGE 500100100	08, 09, 10, 15	Kit cable clamp	KGE 500130100
05, 06, 07, 11, 12, 14, 15	Kit wedge body	KGE 500070100			

Cable reservoir KKS

Spare parts

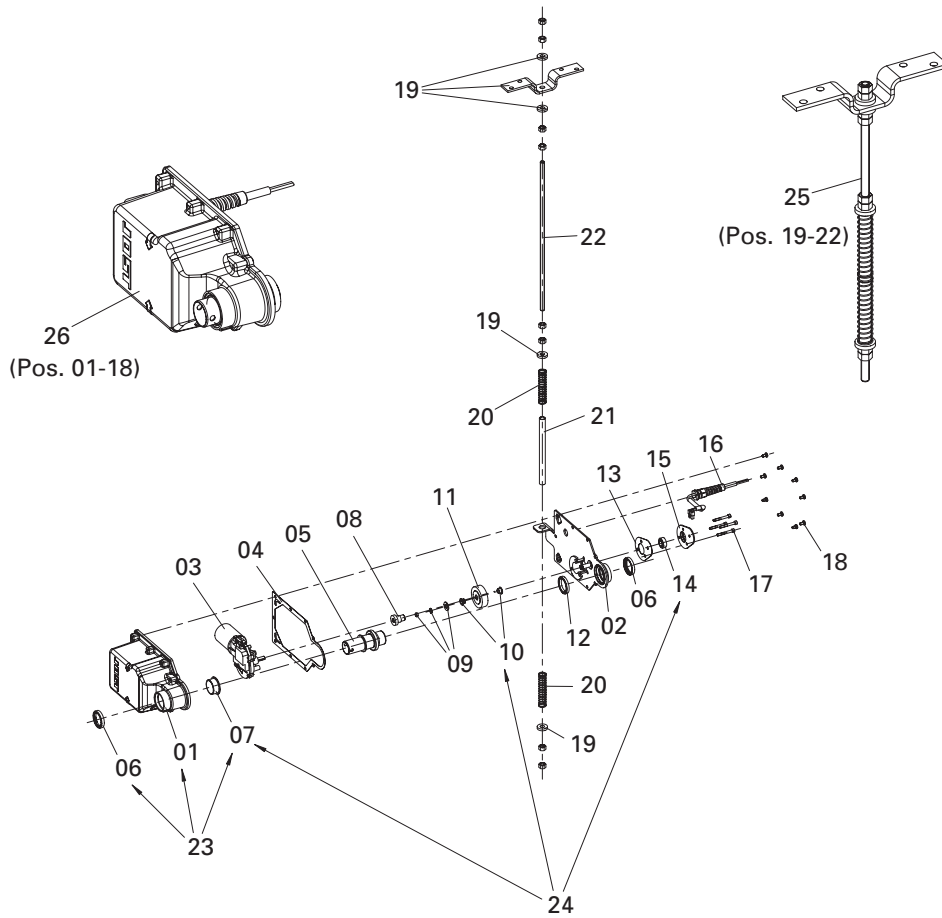


Repair kits

Item	Description	Order No.	Item	Description	Order No.
01-13, 14	Kit cable reservoir assembly	KGE 500500100	01, 03, 04, 09, 14	Kit spring cable reservoir	KGE 500690000
01, 02, 09, 14	Kit cable reservoir - base tray	KGE 500510100	01, 04, 09, 14	Kit bearing cable reservoir	KGE 500550000
01, 07, 08, 09, 10, 11, 12, 14	Kit cable reservoir - cover plate	KGE 500610100	14	Kit Connector	NTE 001620100
06, 14	Kit cable reservoir - cable	KGE 500650100			

Landing gear drive KKS + Easy Drive

Spare parts



Item	Description	Remark	Order No.	per Drive	Item	Description	Remark	Order No.	per Drive
01	Housing aluminium		JS E7001700	1	14	Swing bearing		JS E7008900	1
02	Base plate		JS E7006400	1	15	Bearing plate		JS E7002300	1
03	Electric motor		JS E7001000	1	16	Cable		JS E7002900	1
04	Seal		JS E7001300	1	17	Screw M6x50		JS E7009000	4
05	Shaft	compl.	JS E7000200	1	18	Screw M6x25		JS E7009300	9
06	Sealing ring		JS E7008500	2	19	Set of nuts		JS E7009100	1
07	Bush		JS E7008600	1	20	Pressure spring		JS E7002700	2
08	Gearwheel		JS E7000900	1	21	Tube		JS E7002600	1
09	Set of lockings		JS E7008100	1	22	Thread rod		JS E7002500	1
10	Bush		JS E7008700	2	23	Housing assembly	with 01, 06, 07	JS E7000300	1
11	Gearwheel		JS E7000610	1	24	Bearing kit		JS E7008000	1
12	Ball bearing		JS E7008800	1	25	Support kit	with 19 - 22	JS E7002800	1
13	Seal		JS E7001200	1	26	Electric drive assembly	with 01 - 18	JS E7000100	1

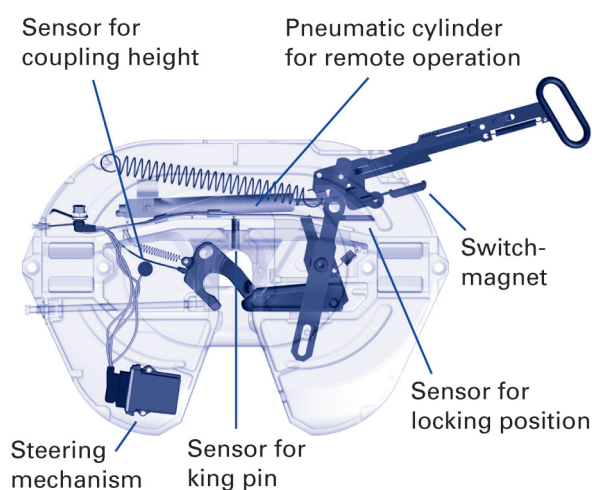
SKS (Sensor coupling system)

Technical Specification

The sensor coupling system complies with the following directives / standards: 94/20/EC – class G50, DIN 74081, ISO 3842, in this version and/or 95/54/EC for directive 72/245/EEC.

Safe

- Three sensors for optimum safety when connecting
- A sensor permanently monitors the locking position and displays it in the driver's cabin
- A second sensor controls the position of the king pin
- A third sensor displays the correct coupling height in the driver's cab
- Additional locking mechanism check and increased safety even in poor visibility
- The fifth wheel coupling can still be operated mechanically



Note:

Before installing SKS, please make sure that electric and air connections are available.

Comfort

- Using the remote control unit in the cab, the lock can be opened simply at the push of a button
- Unnecessary shunting and fiddling become a thing of the past
- The pneumatic mechanism of the lock enables the fifth wheel coupling to be opened effortlessly at all times, even when the tractor/trailer unit is under tension



Selection table / Versions available

Plate mounting

Order No.	DIN-Pedestal	H (mm)	Weight (kg)	WA
JSK42K02049AA	K0	150	133.0	Z
JSK42K02051AA	K0	150	132.0	W
JSK42K03849AA	K0	185	131.0	Z
JSK42K03851AA	K0	185	130.0	W

Chassis mounting

Order No.	Lightweight Pedestal	H (mm)	Weight (kg)	WA
JSK42K22049AA	K2	150	137.0	Z
JSK42K22051AA	K2	150	137.0	W
JSK42K24049AA	K2	190	144.0	Z
JSK42K24051AA	K2	190	143.0	W
JSK42K32049AA	K3	150	135.0	Z
JSK42K32051AA	K3	150	134.0	W
JSK42K34049AA	K3	190	139.0	Z
JSK42K34051AA	K3	190	139.0	W
JSK42K42049AA	K4	150	137.0	Z
JSK42K42051AA	K4	150	137.0	W
JSK42K62049AA	K6	150	135.0	Z
JSK42K62051AA	K6	150	135.0	W
JSK42K64049AA	K6	190	140.0	Z
JSK42K64051AA	K6	190	139.0	W

Customer hole pattern

LB	C	D	E	F	G	I
K2	887	304.5	406	507.5	42	18
K3	868	300		500	40	22
K4	860	300	400	500	40	18
K6	859.4	315	405	495	28	18

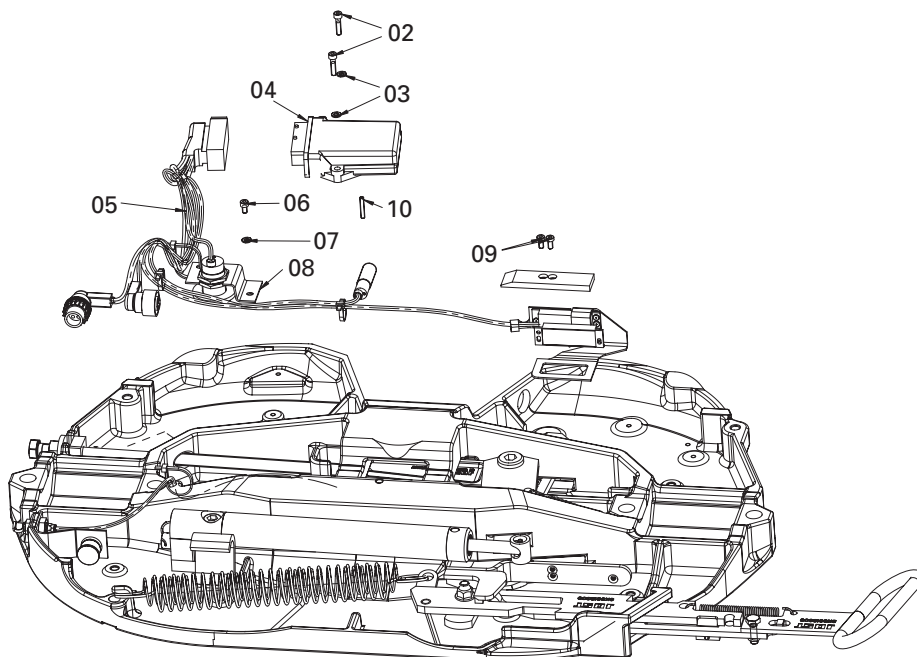
Truck kit

(remote control unit and cable set)

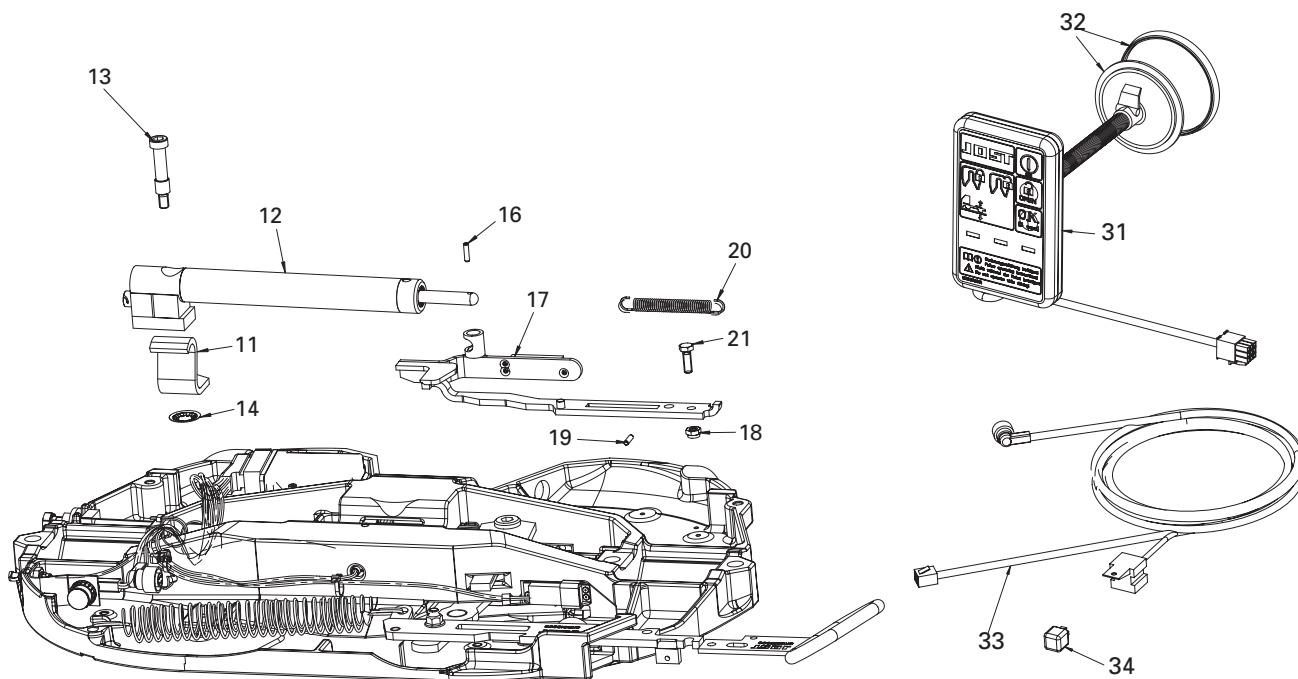
Order No.	Weight (kg)
SKE003790100	2.4

Fifth wheel coupling SKS

Spare parts: Electronic and Sensors



Spare parts: Electric and Pneumatics



Repair kits

Item	Description	Order No.	Item	Description	Order No.
31, 32	SKS display without activation of parking break	SKE 003300100	17, 18, 19, 20	Kit locking lever + magnet	SKE 001360100
31, 32	SKS display with activation of parking break	SKE 003300300	12, 13, 14, 16, 18	Kit opening cylinder	SKE 003230100
33, 34	Kit trunk cable	SKE 003310200	04	SKS control device without activation of parking break	SKE 003180100
34	Relay	SKE 003800100	04	SKS control device with activation of parking break	SKE 003180300
05, 06, 07, 08, 09, 10, 0Z	Kit cable harness in 5th wheel	SKE 003190100			

Note: For spare parts for the fifth wheel coupling, see JSK 42

Sensor coupling

Safe solution with remote display

Technical Specification

The Sensor coupling complies with the following directives / standards:

94/20/EC – class G50, TÜ.EGG.095-05, DIN 74081, ISO 3842, 72/245/EEC and 95/54/EC

Design you can rely on

- A sensor permanently monitors the connection status while another sensor controls the position of the king pin.
- In order to ensure the highest level of safety, the sensor placed on the handle is mounted on the second lock / latch.
- An additional third sensor monitors the contact with the skid plate and increases safety and convenience during the coupling process.
- A remote display processes the signal and displays it in the driver's cab
- The additional locking mechanism checks and increases safety are even in poor visibility thanks to visual and acoustic display
- The sensors are located in protected zones on non-moving parts
- The Sensor coupling provides electromagnetic compatibility according to highest standards
- All components offer the usual JOST safety and reliability

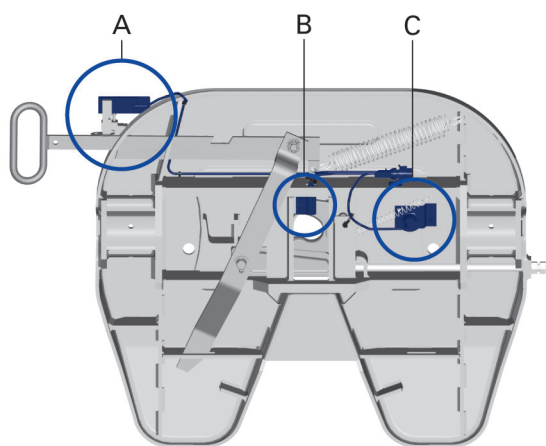
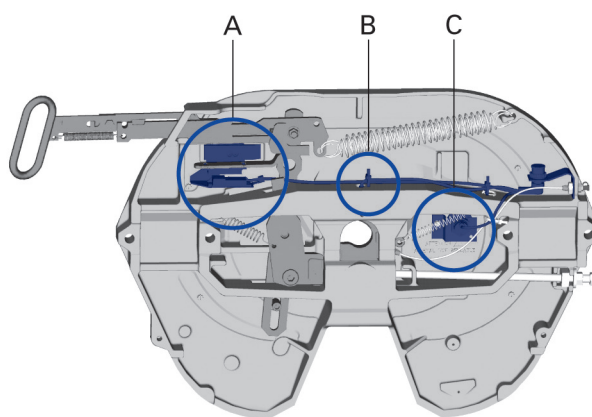


Plate coupling



Cast coupling

- A = sensor for connection status
 B = sensor for king pin
 C = sensor for coupling height

Selection table / Versions available**Plate coupling**

Order No.	Bearing	H (mm)	Weight (kg)	WA	ZL
JSK36DV2070AA	DIN	150	125	M	K
JSK36DV2046AA	DIN	150	126	M	J
JSK36DV3170AA	DIN	172	127	M	K
JSK36DV3146AA	DIN	172	128	M	J

Order No.	Bearing	H (mm)	Weight (kg)	WA	ZL
JSK36DV3870AA	DIN	185	129	M	K
JSK36DV3846AA	DIN	185	130	M	J
JSK36DV4770AA	DIN	205	134	M	K
JSK36DV4746AA	DIN	205	135	M	J

Selection table / Versions available**Cast coupling**

Order No.	Bearing	LB	H (mm)	Weight (kg)	WA	ZL
JSK42K02070AA	DIN	K0	150	130	Z	
JSK42K03870AA	DIN	K0	185	128	Z	
JSK42K02046AA	DIN	K0	150	130	Z	J
JSK42K03846AA	DIN	K0	185	128	Z	J
JSK42K02073AA	DIN	K0	150	130	W	
JSK42K03873AA	DIN	K0	185	128	W	
JSK42K02072AA	DIN	K0	150	130	W	J
JSK42K03872AA	DIN	K0	185	128	W	J
JSK42K22070AA	Compact	K2	150	134	Z	
JSK42K24070AA	Compact	K2	190	140	Z	
JSK42K22046AA	Compact	K2	150	134	Z	J
JSK42K24046AA	Compact	K2	190	140	Z	J
JSK42K32070AA	Compact	K3	150	132	Z	
JSK42K34070AA	Compact	K3	190	136	Z	
JSK42K32046AA	Compact	K3	150	132	Z	J
JSK42K34046AA	Compact	K3	190	136	Z	J
JSK42K42070AA	Compact	K4	150	136	Z	
JSK42K42046AA	Compact	K4	150	136	Z	J

Order No.	Bearing	LB	H (mm)	Weight (kg)	WA	ZL
JSK42K62070AA	Compact	K6	150	132	Z	
JSK42K64070AA	Compact	K6	190	136	Z	
JSK42K62046AA	Compact	K6	150	132	Z	J
JSK42K64046AA	Compact	K6	190	136	Z	J
JSK42K22073AA	Compact	K2	150	134	W	
JSK42K24073AA	Compact	K2	190	140	W	
JSK42K22072AA	Compact	K2	150	134	W	J
JSK42K24072AA	Compact	K2	190	140	W	J
JSK42K32073AA	Compact	K3	150	132	W	
JSK42K34073AA	Compact	K3	190	136	W	
JSK42K32072AA	Compact	K3	150	132	W	J
JSK42K34072AA	Compact	K3	190	136	W	J
JSK42K42073AA	Compact	K4	150	136	W	
JSK42K42072AA	Compact	K4	150	136	W	J
JSK42K62073AA	Compact	K6	150	132	W	
JSK42K64073AA	Compact	K6	190	136	W	
JSK42K62072AA	Compact	K6	150	132	W	J
JSK42K64072AA	Compact	K6	190	136	W	J

Couplings – other models are available on request

Explanations:

LB / Oval hole (see JSK 42)

WA / Maintenance

W = Low-maintenance version

M = Manual lubrication

Z = Prepared for central lubrication

ZL / Handle length

J = Long handle

K = Short handle

Remote display

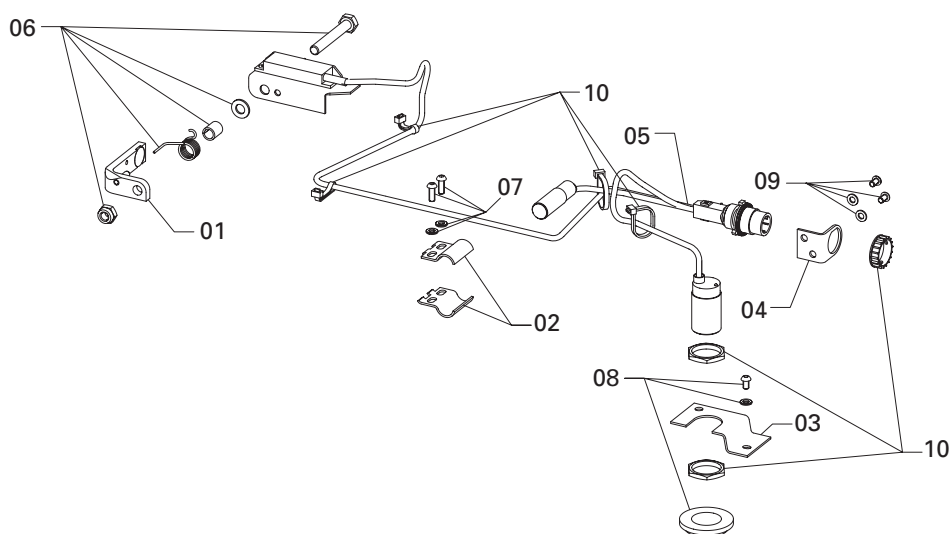
Order No.	Description	Weight (kg)
SKE501620200	3-sensor display, 24 V	0,075
SKE501620500	3-sensor display, 12 V	0,075

Cable set

Order No.	Description	Weight (kg)
SKE002110100	Standard	1,85
SKE002110200	ADR (for hazardous materials transporter)	1,85

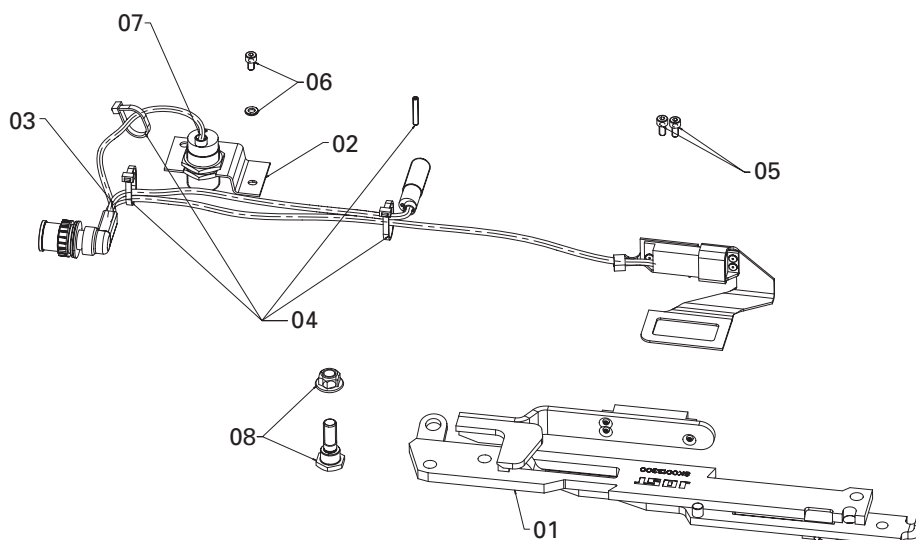
Sensor coupling

Spare parts JSK 36



Item	Description	Remark	Order No.	per Sensor coupling
01	Latch plate with locking magnet	with 06	SK 2905104	1
02	Latch plate with locking magnet	with 07	SK 2905130	1
03	Retaining plate for trailer sensor	with 08	SKE 003220100	1
04	Retaining plate for trailer sensor	with 09	SKE 004650000	1
05	3-sensor cable harness with retaining plate for locking sensor	with 06, 07, 08, 09, 10	SKE 002040400	1
	Sensor display with 3 sensors - 24V	oZ	SKE 501620200	1
	Sensor display with 3 sensors - 12V	oZ	SKE 501620500	1
	Extension cable, standard quality	oZ	SKE 002110100	1
	Extension cable, ADR quality	oZ	SKE 002110200	1

Spare parts JSK 42



Item	Description	Remark	Order No.	per Sensor coupling
01	Sensor locking bar kit, with magnet	with 08	SKE 001360300	1
02	Trailer sensor retaining plate with mounting parts	with 06	SKE 003220100	1
03	3-sensor cable harness with mounted retaining plate JSK 42	with 04, 05, 06, 07	SKE 002040100	1
03	2-sensor cable harness with mounted retaining plate JSK 42	with 04, 05	SKE 002040300	1
	Sensor display with 2 sensors - 24V	oZ	SKE 501620100	1
	Sensor display with 3 sensors - 24V	oZ	SKE 501620200	1
	Sensor display with 2 sensors - 12V	oZ	SKE 501620300	1
	Sensor display with 2 sensors - 24V, SCANIA France	oZ, 2 m cable	SKE 501620400	1
	Sensor display with 3 sensors - 12V	oZ	SKE 501620500	1
	Extension cable, standard quality	oZ	SKE 002110100	1
	Extension cable, ADR quality	oZ	SKE 002110200	1



3 Fifth wheel couplings and mounting plates

Fifth wheel couplings are fitted to a tractor unit to connect it to the trailer.

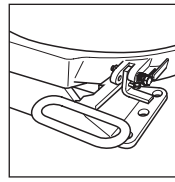
Fifth wheel couplings are vehicle attaching parts that are subject to mandatory design approval and on which the highest safety requirements are placed. We can supply a suitable fifth wheel coupling for all applications, thus always guaranteeing a safe and secure link between the tractor and trailer.

When mounting, using, converting or exchanging our fifth wheel couplings, the vehicle manufacturer's notes, JOST instructions for mounting and use, and the relevant national regulations must be observed. In Germany these are §§19, 20, 21, 27 of the "StVZO" Motor Vehicle Safety Standards.

The JSK 42 is available with a large selection of pedestals in all common heights and with all common hole patterns for plate and frame assembly. Depending on the model and height, it is possible to reduce the weight by 30 to 60 kg. This fifth-wheel coupling is also exceptionally easy to operate: the convenient handle enables you to release the lock and open the JSK 42 with one hand.

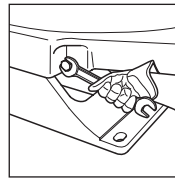
Design/features

JOST fifth wheel couplings fulfil the most stringent requirements in terms of safety, simple operation and ease of servicing. This results in the following benefits:



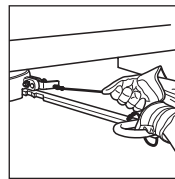
Safety

- High level of operating reliability
- Can be used in complicated loading conditions
- Automatic latch arrangement
- Only a visual inspection is required to ensure proper engagement
- Protection against unauthorised opening is possible using a padlock



Ease of servicing

- Infinite adjustment of the locking mechanism, thus resulting in lower wear
- Wearing ring is easy to replace
- Easily replaceable top plate liners
- Wearing parts can be replaced without having to remove the fifth wheel



Simple operation

- Long, easy-reach handle
- The operator does not get dirty
- The latch is released using a cable
- JSK 42: Single hand operation without latch and cable

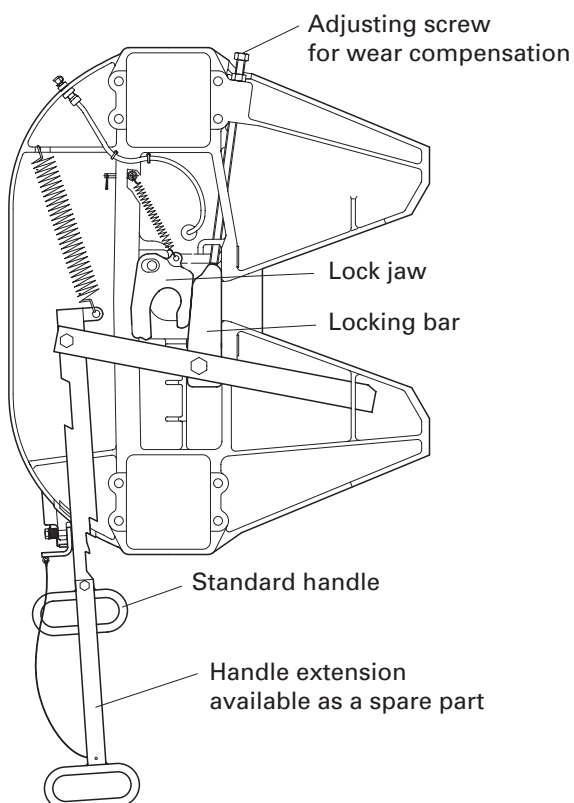
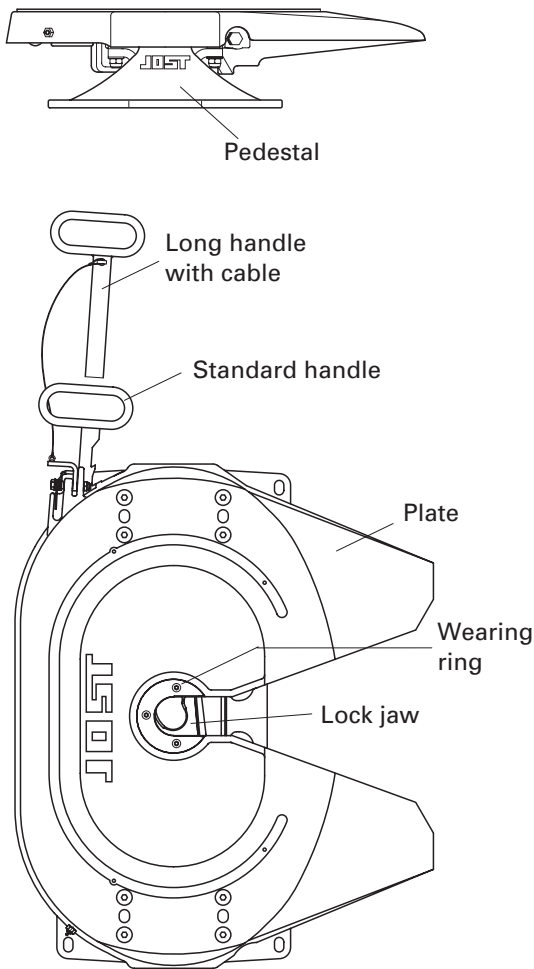
Range of application

JOST fifth wheel couplings are approved for all trailer coupling systems. The following diagram gives an overview of the various models available with imposed loads from 6 t to 50 t.

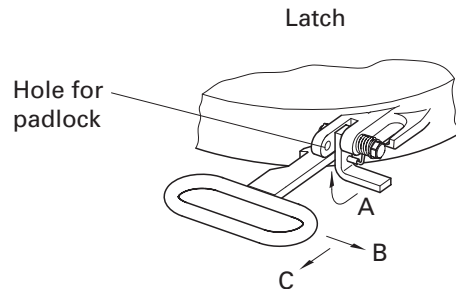
Series	Imposed load (t)
JSK 26	6
JSK 37 ME140 JSK 42 MK 15	15
JSK 42 MK 26	20
JSK 36 D JSK 37 JSK 42	20
JSK 38-2"	28
JSK 38-3 1/2"	36
JSK 50	50

Fitting and component parts

The illustrations shows the basic design of a JOST fifth wheel coupling.

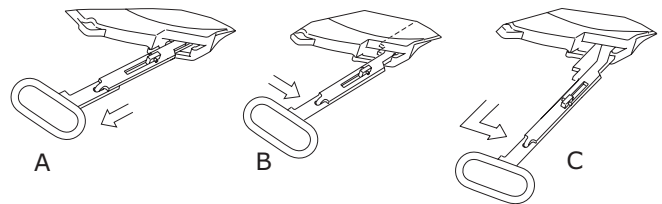


Fifth wheel couplings are connection devices for use on tractor units. An automatically closing and locking hitch connects the fifth wheel king pin of the semitrailer when coupling it up with the tractor unit. The automatic latch arrangement locks the handle in place and indicates that the tractor and trailer are correctly attached.



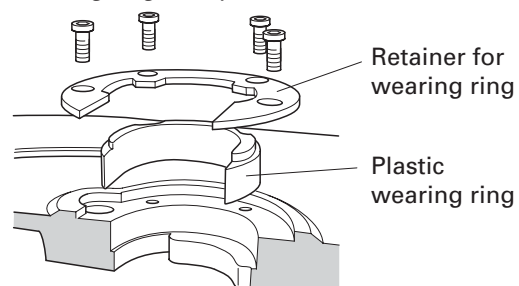
An additional lock is integrated into the handle of the JSK 42. This allows you to release the lock and open the handle with one hand (convenient handle).

Open handle function JSK 42



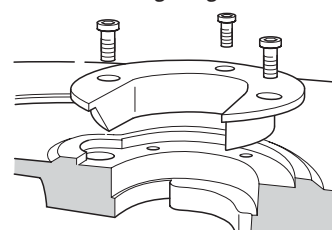
Wearing ring with plastic insert: for the JSK 37 E, JSK 37 EW, JSK 37 CW and JSK 42 series.

Wearing ring with plastic insert



Steel wearing ring: for the JSK 37 C, JSK 36 DV, JSK 38 and JSK 50 series.

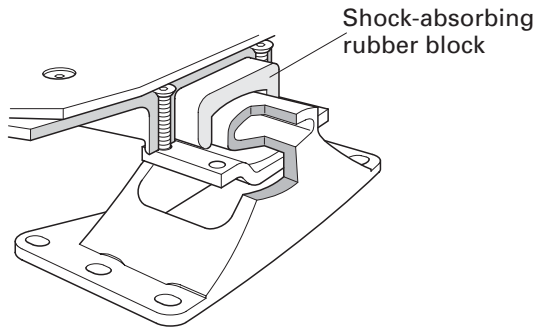
Steel wearing ring



Fifth wheel couplings and mounting plates

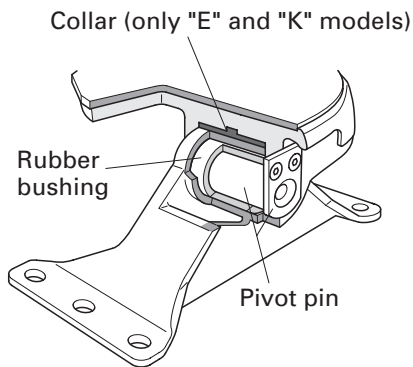
When choosing a fifth wheel coupling, you should especially take into consideration the requirements placed on bearing arrangements, mounting and maintenance. Basically, Jost fifth wheel couplings can be used universally.

Rubber bearing - Model "C"



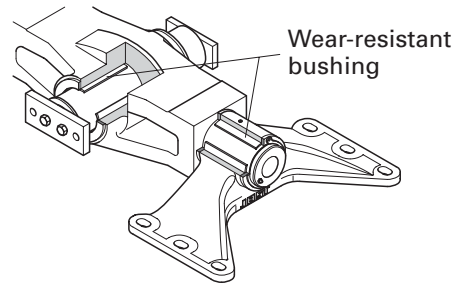
Fifth wheel couplings with rubber mountings are particularly suitable for poor quality road surfaces. The rubber cushions are shock-absorbent and maintenance-free.

Pivot bearing - Model "D", "E" and "K"



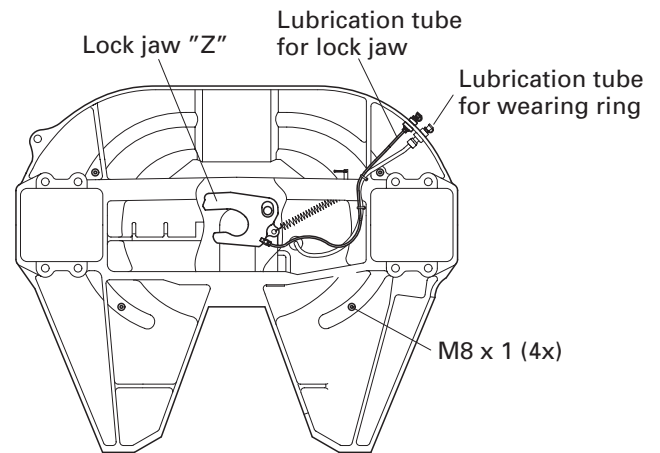
The pivot bearing allows for low mounting heights and is maintenance-free in the "E" and "K" version. They are especially well suited to use in sliding and dual-height fifth wheel systems. Model "K": protects the chassis dues to its longitudinal elasticity (lateral movement).

Cardan mounting - Model "G"



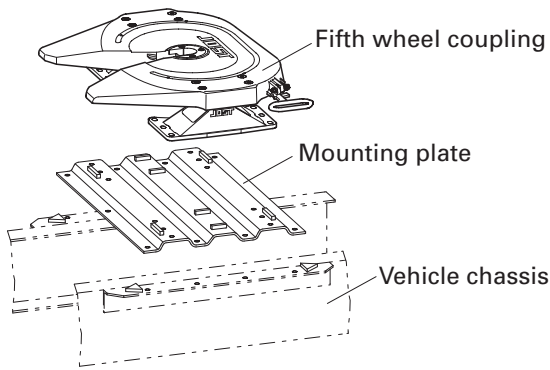
The cardanic bearing is designed to allow roll between tractor and semi-trailer under off-road conditions. The lateral suspension can be disabled for on-road use.

Prepared for central lubrication systems Model "E", "K" and all models with "Z" style



Fifth wheel couplings without a top plate liner must be lubricated (manual lubrication). Model "E", "K" and all models with "Z" style fifth wheel couplings are prepared for connection to a central lubrication system on the tractor unit.

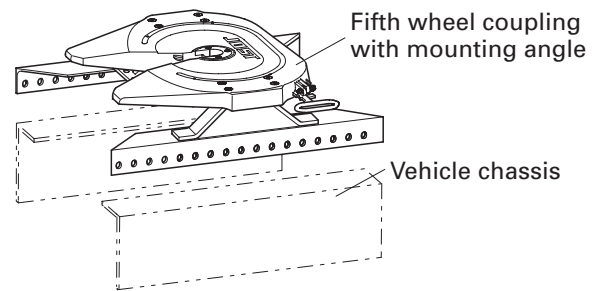
Plate mounting



The fifth wheel coupling is fixed to the tractor chassis by means of a mounting plate. Various mounting plate and fifth wheel mounting heights are available to make an accurate match between the height of the fifth wheel and existing trailer systems possible.

JOST mounting plates for fifth wheel couplings satisfy the requirements of Directive 94/20/EC – Class J and are approved for the steering forces of steered semi-trailers. We also offer a selection of mounting kits for connecting mounting plates and fifth wheels to the tractor unit.

Chassis mounting



The fifth wheel coupling is built onto either the chassis or sub-frame of the tractor.

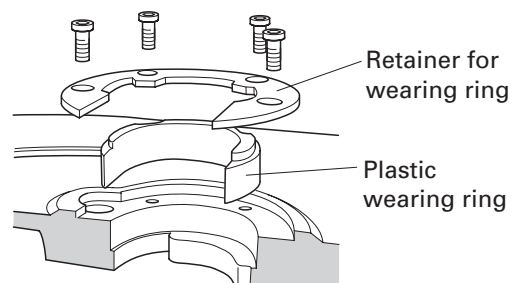
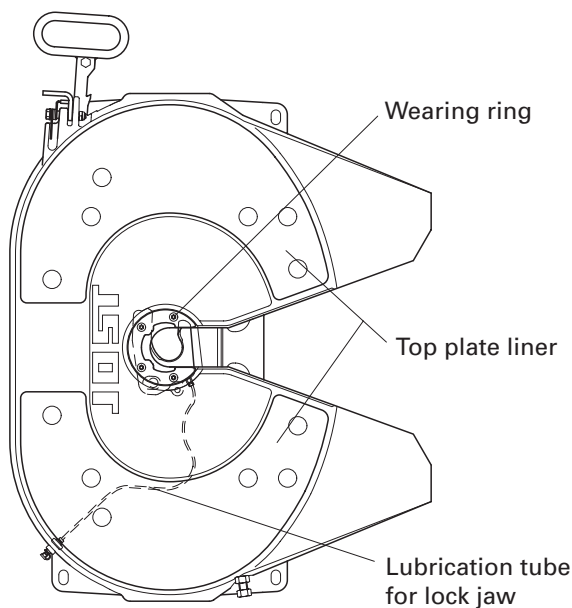
The JOST mounting instructions for fifth wheel couplings and mounting plates, as well as the respective mounting instructions supplied by the vehicle manufacturer must be observed when mounting or converting equipment.



Low-maintenance JOST fifth wheel coupling – “W” Style

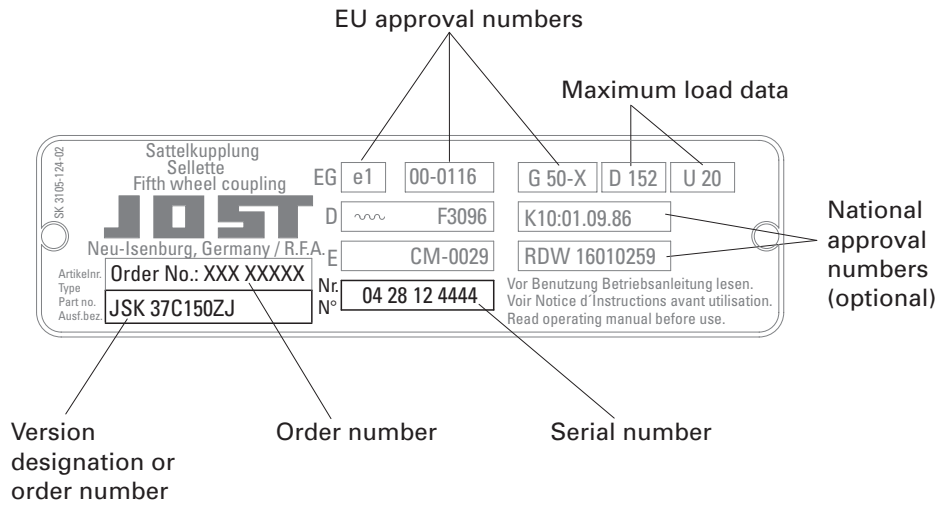
The series JSK 37 CW/EW fifth wheel couplings and all the series JSK 42 fifth wheel couplings in version “W” are equipped with a top plate liner on the mounting surface and a wearing ring with plastic insert in the locking mechanism. In conjunction with the maintenance-free rubber or pivot

bearing, only one greasing point on the lock jaw needs local lubrication. All wearing parts can be replaced quickly and easily. Low-maintenance fifth wheel couplings therefore save both time and money, as well as conserving resources.



Type designation

The fifth wheel type plate is secured on the side of the coupling plate. When ordering spare parts, please quote the model designation and the serial number.



Definition D value

The construction of the fifth wheel coupling in connection with the vehicle is carried out by the vehicle manufacturer (construction according to Directive 94/20/EC, Appendix VII).

The imposed load on the tractor and the D value are criterions for the load-bearing capacity of the fifth wheel couplings and mounting plates.

The D value calculates according to the following formula:

$$D = g \times \frac{0,6 \times T \times R}{T + R - U} \quad (\text{kN})$$

Key:

T = permissible total weight of the tractor unit in t (including U)

R = permissible total weight of the semi-trailer in t

U = permissible imposed load on tractor in t

g = 9,81m/sec²

Calculation example:

$$D = 9,81 \times \frac{0,6 \times 17 \times 33}{17 + 33 - 10,5} = 83,6 \text{ (kN)}$$

Given: T = 17t

R = 33t

U = 10,5t

The permissible load data for JOST fifth wheel couplings can be found on the type plate or from the JOST product catalogue. They apply for the intended use in compliance with the Directive 94 / 20 EC or ECE-R55. If additional dynamic demands are to be placed on the coupling, e.g. by use on uneven road surfaces or building sites, the imposed load and D value should not be fully used or a stronger fifth wheel coupling should be fitted, and/or you should ask JOST for advice.

Product overview

The table below shows the standard versions dependent on load, bearing and maintenance. Other models are available on request.

Series	Lock	D value (kN)	Imposed load U (t)	Rubber bearing	Slide bearing	Cardan bearing	Maintenance
JSK 26D	2"	50.0	6		X		M
JSK 36 DA*	2"	152.0	20		X		M
JSK 36 DV	2"	152.0	20		X		M
JSK 37 C	2"	152.0	20	X			M
JSK 37 CW	2"	152.0	20	X			W
JSK 37 CZ	2"	152.0	20	X			Z
JSK 37 E	2"	152.0	20		X		Z
JSK 37 EW	2"	152.0	20		X		W
JSK 37 EA*	2"	152.0	20		X		Z
JSK 37 EAW*	2"	152.0	20		X		W
JSK 37 ER*	2"	152.0	20		X		Z
JSK 37 ERW*	2"	152.0	20		X		W
JSK 37 ME140	2"	126.0	15		X		Z
JSK 37 ME140W	2"	126.0	15		X		W
JSK 42 K0*	2"	152.0	20		X		Z, W
JSK 42 K2-K6*	2"	152.0	20		X		Z, W
JSK 42 K7*	2"	152.0	20		X		Z, W
JSK 42 K8*	2"	152.0	20		X		Z, W
JSK 42 MK 162	2"	152.0	20		X		Z, W
JSK 38 C-1	3 1/2"	260.0	36	X			M, Z
JSK 38 C-1 2"	2"	170.0	28	X			M, Z
JSK 38 G-1	3 1/2"	260.0	36			X	M, Z
JSK 38 G-1 2"	2"	170.0	28			X	M, Z
JSK 38 MC	3 1/2"	260.0	36	X			M, Z
JSK 50	3 1/2"	300.0	50		X		M

Explanations:

X = Bearing design

M = Manual lubrication

Z = Prepared for connection to the central lubrication system on the tractor unit

M, Z = Available either for manual lubrication or prepared for central lubrication

W = Low-maintenance, lubrication only required on the lock jaw

* = Chassis mounting

Before you use this fifth wheel coupling you must obtain approval from the tractor unit manufacturer

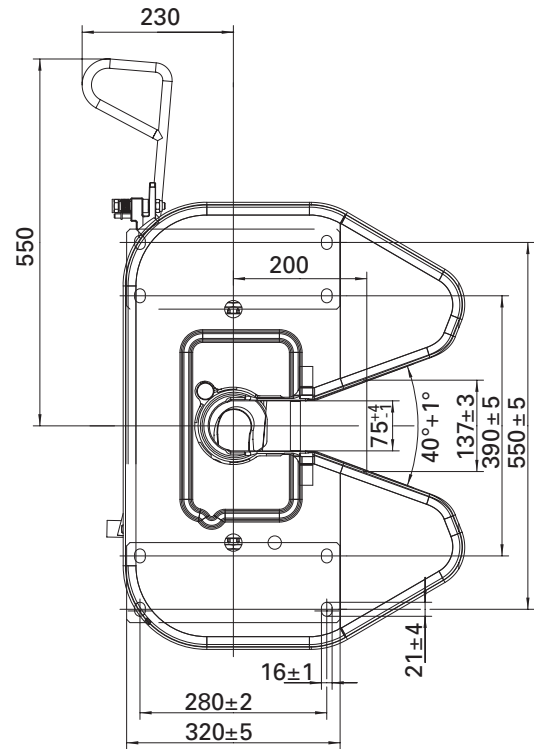
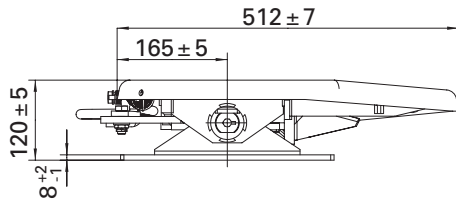


Fifth wheel coupling JSK 26D

Technical Specification

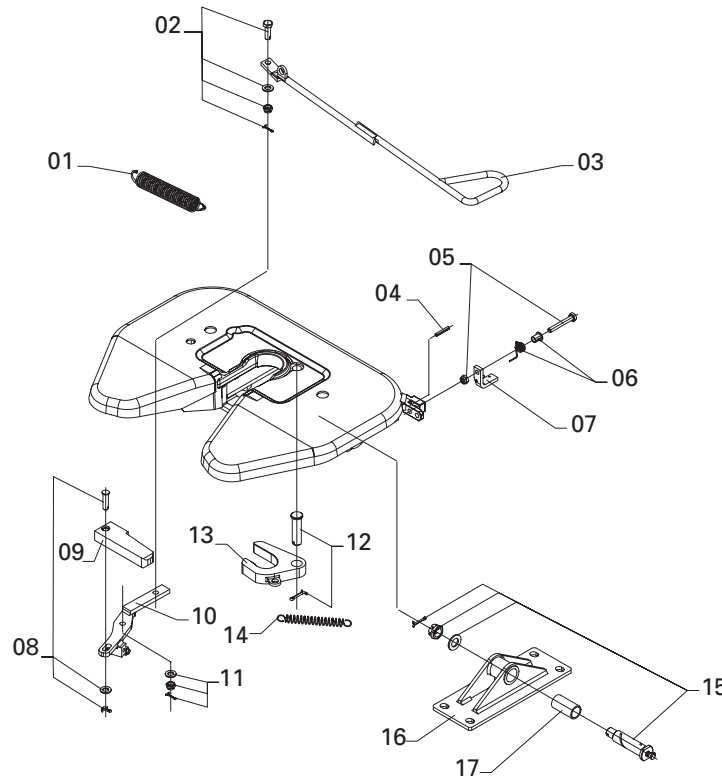
Pressed steel design with pivot bearings.

Suitable for 2" king pins (50) as per ECE R55-01, DIN 74080 / ISO 337. Approved for forced steering semi-trailers.



Order No.	D value (kN)	Imposed load U (t)	Weight (kg)	Approval (EC)
JSK 26D	50.0	6	45.0	E1 - R55 01 1800

Spare parts



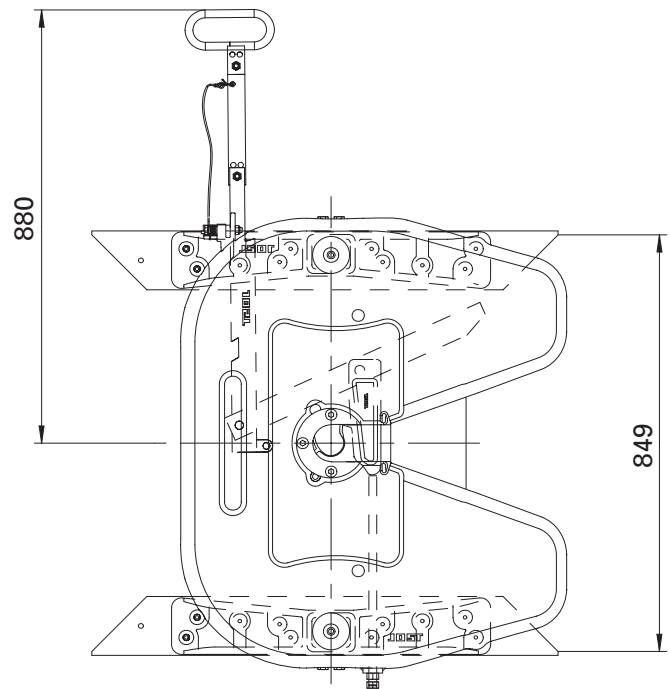
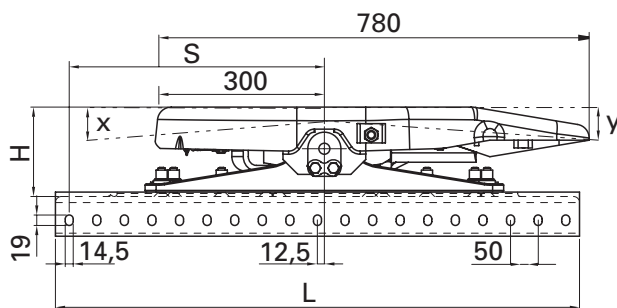
Item	Description	Remark	Order No.	per JSK	Item	Description	Remark	Order No.	per JSK
01	Double tension spring		SK 3105-152	1	10	Lever	compl.	SK 2605-59	1
02	Hexagon bolt	compl.	SK 2621-54	1	11	Castle nut	compl.	SK 2621-56	1
03	Handle		SKE 004790000	1	12	Bolt	compl.	SK 2621-51	1
04	Spring hook		000.003.027	1	13	Lock jaw		SK 2605-060	1
05	Hexagon bolt		SK 3521-03	1	14	Tension spring		SK 847	1
06	Spring noose		SK 2921-30	1	15	Spring bolt	compl.	SK 2621-02	2
07	Latch	compl.	SK 3121-52	1	16	Pedestal		SK 005500000	2
08	Bar bolt	compl.	SK 2621-53	1	17	Bush		SK 2604-04	2
09	Locking bolt		SK 2605-061	1					

Fifth wheel couplings JSK 36 DA

Technical Specification

2" fifth wheel coupling in pressed steel design with pivot bearings, for fitting to the frame or subframe of the tractor without a mounting plate.

Suitable for 2" king pins (50) as per 94/20/EC, DIN 74080, ISO 337 and steering wedges as per 94/20/EC, DIN 74085.



Selection table / Versions available

Order No.	H (mm)	S (mm)	L (mm)	X	Y	D value (kN)	Imposed load U (t)	Weight (kg)	Approval (EC)	ZL	Oval hole versions*
JSK36DA2100AW	160	462.5	950	15°	12°	152.0	20	147.0	e1 00-0301	J	E
JSK36DA2100AY	160	437.5	950	15°	12°	152.0	20	147.0	e1 00-0301	J	F
JSK36DA4400AW	200	462.5	950	15°	12°	152.0	20	152.0	e1 00-0301	J	E
JSK36DA4400AY	200	437.5	950	15°	12°	152.0	20	152.0	e1 00-0301	J	F
JSK36DA5800AW	230	462.5	950	15°	15°	152.0	20	158.0	e1 00-0301	J	E
JSK36DA5800AY	230	437.5	950	15°	15°	152.0	20	158.0	e1 00-0301	J	F

Explanations:

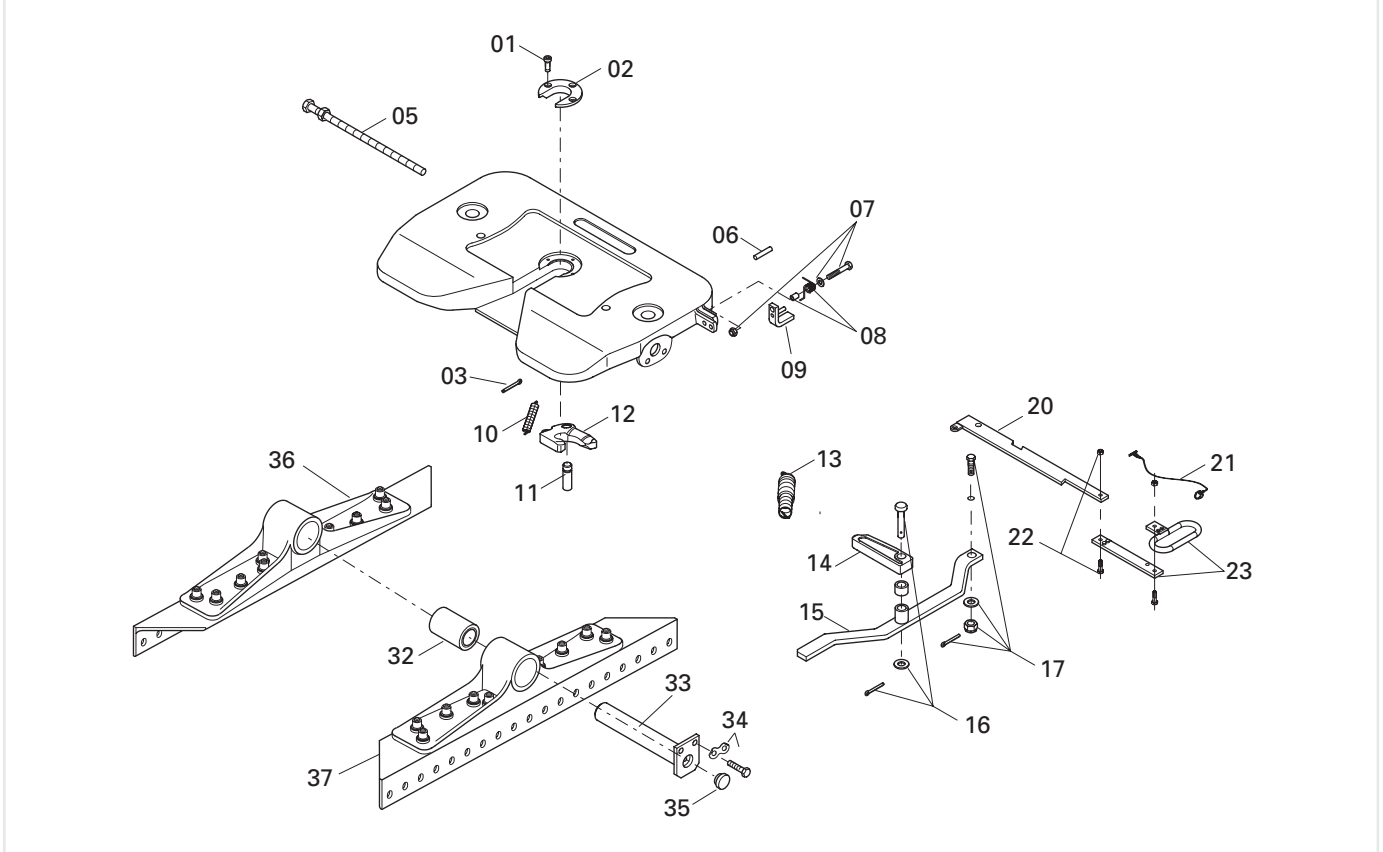
ZL / Handle length

J = Long handle

* Note: see pedestal versions/oval hole versions

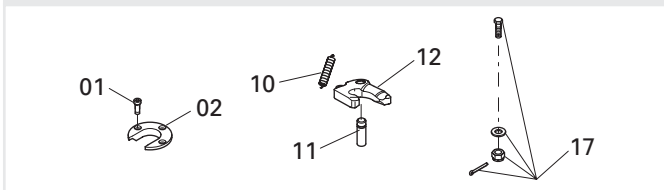
JSK 36 DA

Spare parts



Item	Description	Remark	Order No.	per JSK	Item	Description	Remark	Order No.	per JSK
01	Socket head bolt		SK 2121-07	3	23	Handle	compl. with 21 + 22	SK 3121-064	1
02	Wearing ring		SK 2105-19	1	32	Rubber bushing	compl.	SK 2905-94	2
05	Adjusting screw		SK 2905-51	1	33	Pivot pin	with 35	SK 2904-99	2
06	Clamping pin		000.003.027	1	34	Hexagon bolts	compl.	SK 2921-038	2
07	Hexagon bolt	compl.	SK 3521-03	1	35	Plug		JS 1101-12	2
08	Spring noose	compl.	SK 2921-30	1	36	Pedestal H 160	left, for version E	SKE 500010211	1
09	Latch	compl.	SK 3121-52	1	36	Pedestal H 160	left, for version F	SKE 500020211	1
10	Tension spring		SK 847	1	36	Pedestal H 200	left, for version E	SKE 500010111	1
11	Bolt		SK 2106-67	1	36	Pedestal H 200	left, for version F	SKE 500020111	1
12	Lock jaw		SK 1489 Z	1	36	Pedestal H 230	left, for version E	SKE 500010011	1
13	Double tension spring		SK 3105-20	1	36	Pedestal H 230	left, for version E	SKE 500020011	1
14	Locking bolt		SK 2905-06	1	37	Pedestal H 160	right, for version E	SKE 500020211	1
15	Lever		SK 2107-25	1	37	Pedestal H 160	right, for version F	SKE 500010211	1
16	Bar bolt	compl.	SK 2921-02	1	37	Pedestal H 200	right, for version E	SKE 500020111	1
17	Hexagon bolt	compl.	SK 1513	1	37	Pedestal H 200	right, for version F	SKE 500010111	1
20	Locking bar		SK 2905-106	1	37	Pedestal H 230	right, for version E	SKE 500020011	1
21	Latch cord	compl.	SK 3521-02	1	37	Pedestal H 230	right, for version F	SKE 500010011	1
22	Hexagon bolt	compl.	SK 2421-50	2					

Repair and retrofit kits

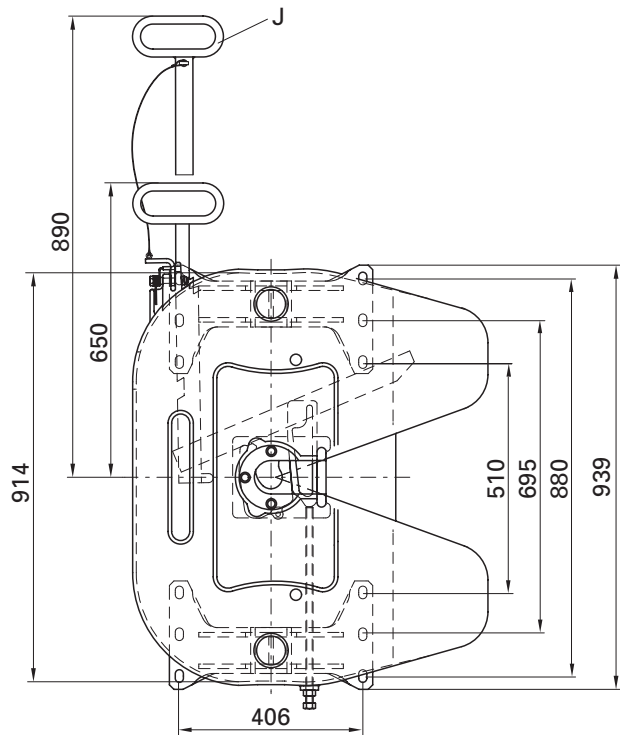
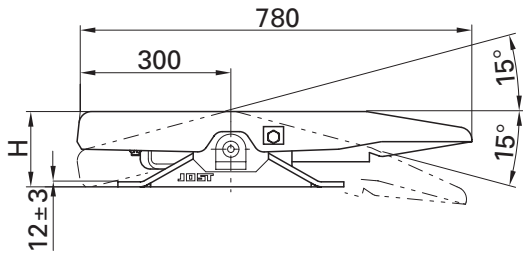


Item	Description	Order No.
01, 02, 10, 11, 12	Repair kit for lock	SK 3221-50
01, 02	Repair kit for lock	SK 2121-51
10, 11, 12	Repair kit for lock	SK 3221-52
01, 02, 10, 11, 12, 17	Repair kit for lock	SK 3121-51

Fifth wheel coupling JSK 36 DV

Technical Specification

2" fifth wheel coupling in pressed steel design with pivot bearings, manual lubrication, as per DIN 74081 and ISO 3842. Suitable for 2" king pins (50) as per 94/20/EC, DIN 74080, ISO 337 and steering wedges as per 94/20/EC, DIN 74085.



Selection table / Versions available

Order No.	H (mm)	D value (kN)	Imposed load U (t)	Weight (kg)	Approval (EC)	ZL
JSK 36 DV2	150	152.0	20	119.0	e1 00-0301	K
JSK 36 DV2 J	150	152.0	20	119.0	e1 00-0301	J
JSK 36 DV1	172	152.0	20	122.0	e1 00-0301	K
JSK 36 DV1 J	172	152.0	20	122.0	e1 00-0301	J
JSK 36 DV3	185	152.0	20	124.0	e1 00-0301	K
JSK 36 DV3 J	185	152.0	20	124.0	e1 00-0301	J
JSK 36 DV17 G	205	152.0	20	125.0	e1 00-0301	K
JSK 36 DV17 GJ	205	152.0	20	125.0	e1 00-0301	J

Explanations:

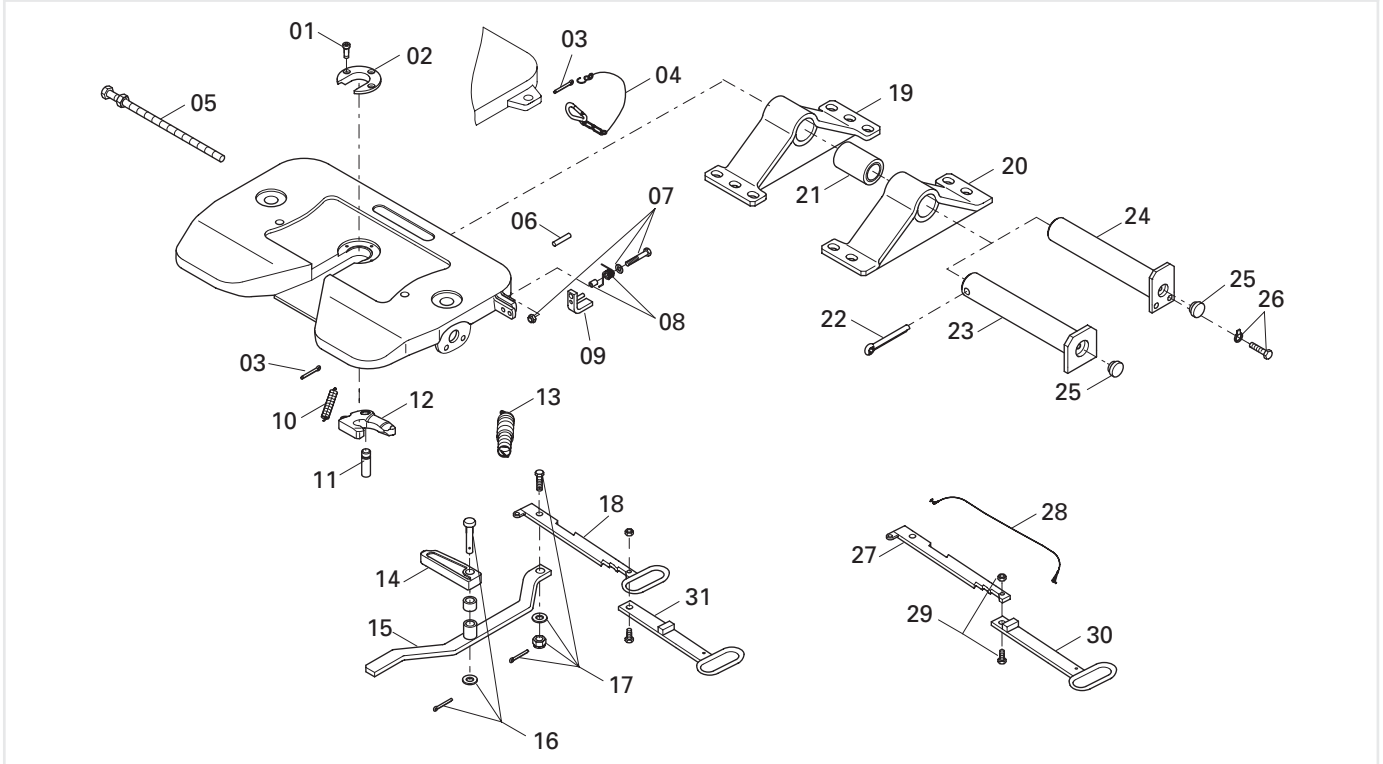
ZL / Handle length

J = Long handle

K = Short handle

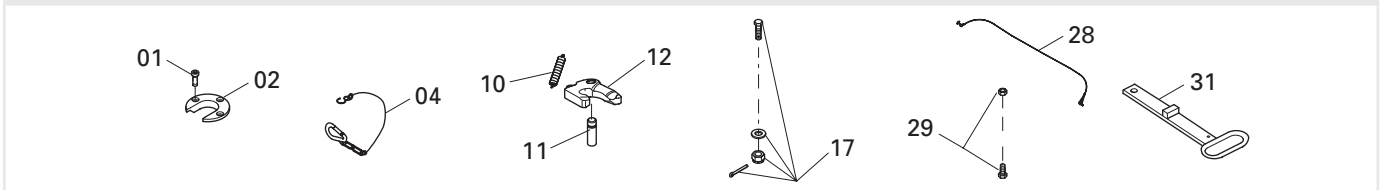
JSK 36 DV

Spare parts



Item	Description	Remark	Order No.	per JSK	Item	Description	Remark	Order No.	per JSK
01	Socket head bolt		SK 2121-07	3	18	Handle, stand. vers.	from xx89xxxxxx	SK 2905-111	1
02	Wearing ring		SK 2105-19	1	19	Pedestal DV2 (H 150)		SKE 501530001	2
03	Split pin	to xx83xxxxxx	SK 1974	1	19	Pedestal DV1 (H 172)		SKE 501540001	2
04	Spring hook	to xx83xxxxxx	SK 1436	1	19	Pedestal DV16 (H 225)	Repl. f. SK 2904-05	SK 2904-90	2
05	Adjusting screw		SK 2905-51	1	19	Pedestal DV17G (H 205)		SK 2904-105	2
06	Clamping pin		000.003.027	1	19	Pedestal DV3 (H 185)		SKE 501550001	2
07	Hexagon bolt	compl. from xx89xxxxxx	SK 3521-03	1	20	Pedestal DV	only sp. parts, 4 hole	SK 1525	2
08	Spring noose	compl. from xx89xxxxxx	SK 2921-30	1	21	Rubber bushing	compl.	SK 2905-94	2
09	Latch	compl. from xx89xxxxxx	SK 3121-52	1	22	Split pin	to xx83xxxxxx	SK 2921-04	2
10	Tension spring		SK 847	1	23	Pivot pin	+ 22, 25, to xx83xxxxxx	SK 2921-24	2
11	Bolt		SK 2106-67	1	24	Pivot pin	+ 25, from xx89xxxxxx	SK 2904-99	2
12	Lock jaw		SK 1489 Z	1	25	Plug	JS 1101-12	2	
13	Double tension spring		SK 3105-20	1	26	Hexagon bolts	compl. from xx89xxxxxx	SK 2921-038	2
14	Locking bolt		SK 2905-06	1	27	Locking bar	compl. for type J	SK 2905-106	1
15	Lever		SK 2107-25	1	28	Latch cord	compl. for type J	SK 3521-02	1
16	Bar bolt	compl.	SK 2921-02	1	29	Hexagon bolt	compl. for type J	SK 2421-50	1
17	Hexagon bolt	compl.	SK 1513	1	30	Handle	f. type J, from xx89xxxxxx	SK 3105-113	1
18	Handle	to xx83xxxxxx	SK 2905-01	1	31	Handle extension	only in retrofit kit		

Repair and retrofit kits



Item	Description	Order No.	Item	Description	Order No.
01, 02, 10, 11, 12	Repair kit for lock	SK 3221-50	01, 02, 04, 10, 11, 12, 17	Repair kit for lock	SK 3121-50
01, 02	Repair kit for lock	SK 2121-51	01, 02, 10, 11, 12, 17	Repair kit for lock	SK 3121-51
10, 11, 12	Repair kit for lock	SK 3221-52	28, 29, 31	Handle extension compl. from xx89xxxx	SK 2921-031

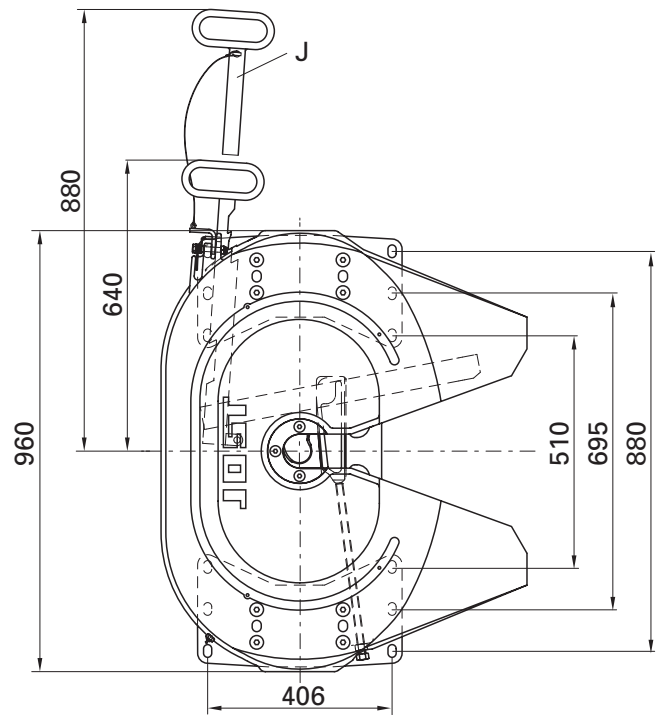
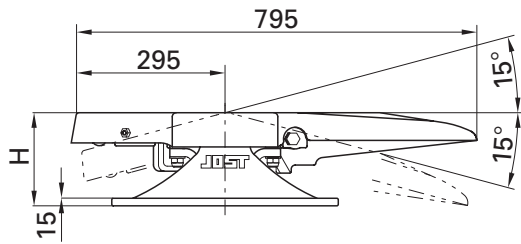
Fifth wheel couplings JSK 37 C

Technical Specification

Rubber bearing.

The fifth wheel coupling complies with the following directives / standards:

94/20/EC - Class G50, DIN 74081, ISO 3842. Suitable for mounting 2" king pins (50) as per 94/20/EC, DIN 74080, ISO 337 and steering wedges as per 94/20/EC, DIN 74085u.



Selection table / Versions available

Order No.	H (mm)	D value (kN)	Imposed load U (t)	Weight (kg)	Approval (EC)	WA	ZL
JSK 37 C150	150	152.0	20	149.0	e1 00-0116	M	K
JSK 37 C150 Z	150	152.0	20	149.0	e1 00-0116	Z	K
JSK 37 C150 J	150	152.0	20	149.0	e1 00-0116	M	J
JSK 37 C150 ZJ	150	152.0	20	149.0	e1 00-0116	Z	J
JSK 37 C170	170	152.0	20	151.0	e1 00-0116	M	K
JSK 37 C170 Z	170	152.0	20	151.0	e1 00-0116	Z	K
JSK 37 C170 J	170	152.0	20	151.0	e1 00-0116	M	J
JSK 37 C170 ZJ	170	152.0	20	151.0	e1 00-0116	Z	J
JSK 37 C185	185	152.0	20	152.0	e1 00-0116	M	K
JSK 37 C185 Z	185	152.0	20	152.0	e1 00-0116	Z	K
JSK 37 C185 J	185	152.0	20	152.0	e1 00-0116	M	J
JSK 37 C185 ZJ	185	152.0	20	152.0	e1 00-0116	Z	J
JSK 37 C250	250	152.0	20	168.0	e1 00-0116	M	K
JSK 37 C250 Z	250	152.0	20	168.0	e1 00-0116	Z	K
JSK 37 C250 J	250	152.0	20	168.0	e1 00-0116	M	J
JSK 37 C250 ZJ	250	152.0	20	168.0	e1 00-0116	Z	J
JSK 37 C300	300	152.0	20	178.0	e1 00-0116	M	K
JSK 37 C300 Z	300	152.0	20	178.0	e1 00-0116	Z	K
JSK 37 C300 J	300	152.0	20	178.0	e1 00-0116	M	J
JSK 37 C300 ZJ	300	152.0	20	178.0	e1 00-0116	Z	J

Explanations:

WA / Maintenance

Z = Prepared for central lubrication

M = Manual lubrication

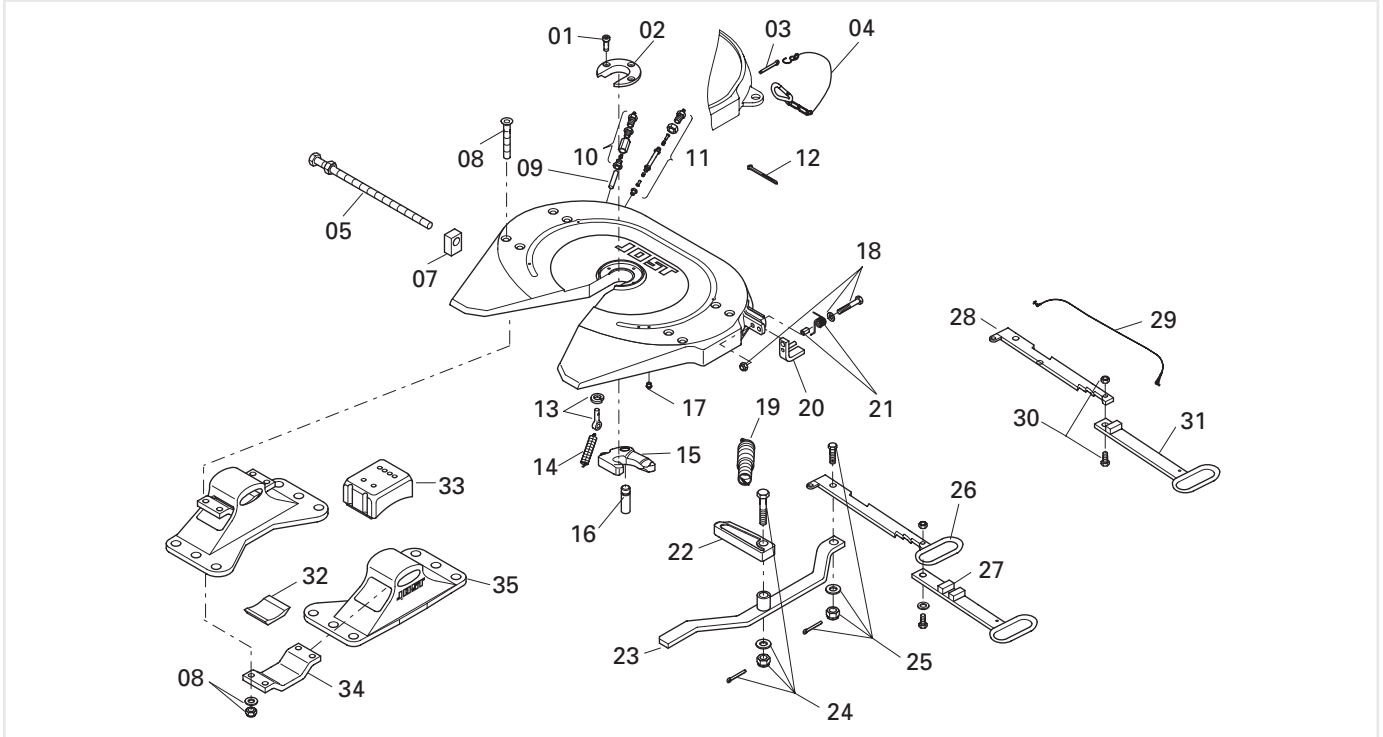
ZL / Handle length

J = Long handle

K = Short handle

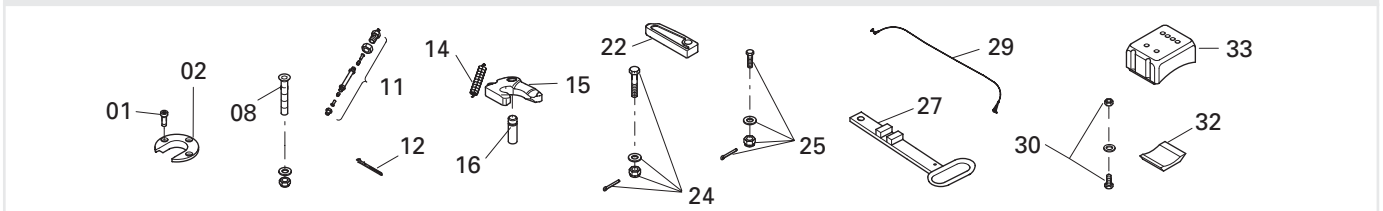
JSK 37 C

Spare parts



Item	Description	Remark	Order No.	per JSK	Item	Description	Remark	Order No.	per JSK
01	Socket head bolt		SK 2121-07	3	21	Spring noose	compl. from 0428xxxxx	SK 3121-59	1
02	Wearing ring		SK 2105-19	1	22	Locking bolt		SK 3205-06	1
03	Split pin	to xx24xxxxxx	SK 1974	1	23	Lever		SK 3105-18	1
04	Spring hook	to xx24xxxxxx	SK 1436	1	24	Bar bolt	compl.	SK 3221-01	1
05	Adjusting screw		SK 3105-150	1	25	Hexagon bolt	compl.	SK 1513	1
07	Guide		SK 3205-07	1	26	Handle	standard vers.	SK 3105-15	1
08	Countersunk bolt	compl.	SK 2121-15	8	27	Handle extension	only in retrofit kit		
09	Lubrication tube		SK 1989	1	28	Locking bar	for type J	SK 3105-115	1
10	Nut and bolt		SK 1976	1	29	Latch cord	compl. for type J	SK 3521-02	1
11	Lubrication tube	f. type CZ, with 12	SK 3108-02	1	30	Hexagon bolt	compl. for type J	SK 2421-50	1
12	Cable tie		SK 3121-13	1	31	Handle	for type J	SK 3105-113	1
13	Eye bolt	compl.	SK 2122-04	1	32	Rubber cushion, lower		SK 2105-25	2
14	Tension spring		SK 847	1	33	Rubber cushion, upper		SK 1259	2
15	Lock jaw	with 12	SK 1489 Z	1	34	Bridge		SK 1372	2
16	Bolt		SK 2106-67	1	35	Pedestal H 150		SK 2104-02	2
17	Threaded stopper		000.010.021	4	35	Pedestal H 170		SK 2104-21	2
18	Hexagon bolt	compl. from 0428xxxxx	SK 3521-03	1	35	Pedestal H 185		SK 2104-01	2
19	Double tension spring		SK 3105-20	1	35	Pedestal H 250		SK 2104-14	2
20	Latch	compl. from 0428xxxxx	SK 3121-52	1	35	Pedestal H 300		SK 2104-20	2

Repair and retrofit kits



Item	Description	Order No.	Item	Description	Order No.
01, 02, 14, 15, 16	Repair kit for lock for type C	SK 3221-50	08, 32, 33	Repair kit for bearing	SK 2121-69
14, 15, 16	Repair kit for lock for type C	SK 3221-52	11, 15	Retrofit kit for type C on CZ	SK 3108-05
01, 02	Repair kit for lock for type C/CZ	SK 2121-51	27, 29, 30	Retrofit kit handle extension compl.	SK 3121-063
01, 02, 11, 14, 15, 16	Repair kit for lock for type CZ	SK 3221-50 Z	01, 02, 11, 12, 14, 15,		
11, 14, 15, 16	Repair kit for lock for type CZ	SK 3221-52 Z	16, 22, 24, 25	Repair kit for lock	SK 3121-072 Z

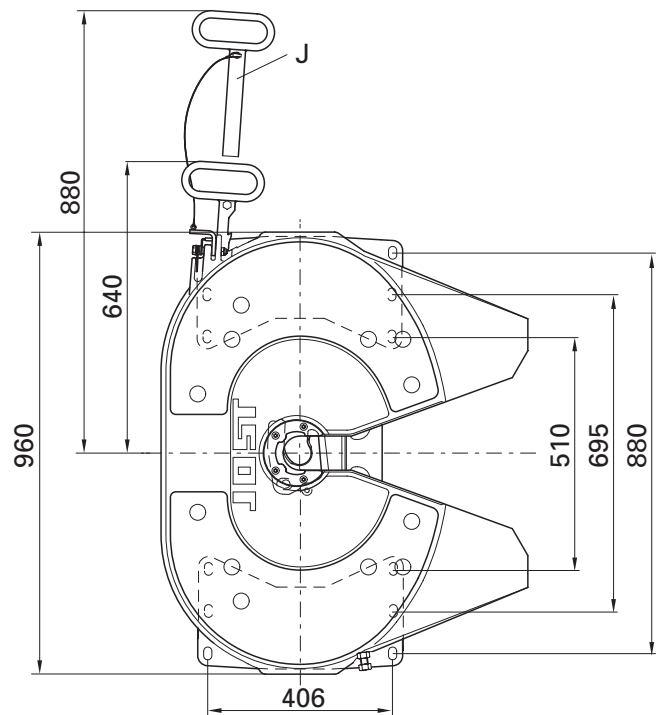
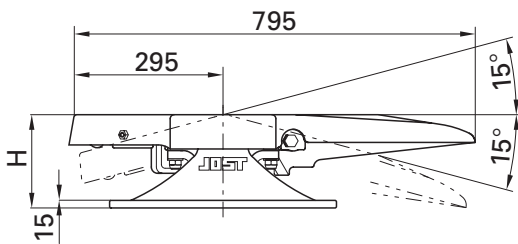
Fifth wheel couplings JSK 37 CW

Technical Specification

Rubber bearing.

- low-maintenance
- LubeTronic is a standard feature here
(for further information, see page 82)

The fifth wheel coupling complies with the following directives / standards:
94/20/EC - Class G50, DIN 74081, ISO 3842. Suitable for mounting 2" king pins (50) as per 94/20/EC, DIN 74080, ISO 337 and steering wedges as per 94/20/EC, DIN 74085.



Selection table / Versions available

Order No.	H (mm)	D value (kN)	Imposed load U (t)	Weight (kg)	Approval (EC)	WA	ZL
JSK37C02087AA	150	152.0	20	150.0	e1 00-0116	Z8	J
JSK37C03087AA	170	152.0	20	152.0	e1 00-0116	Z8	J
JSK37C03887AA	185	152.0	20	153.0	e1 00-0116	Z8	J
JSK37C07087AA	250	152.0	20	169.0	e1 00-0116	Z8	J
JSK37C08087AA	300	152.0	20	179.0	e1 00-0116	Z8	J

Explanations:

WA / Maintenance

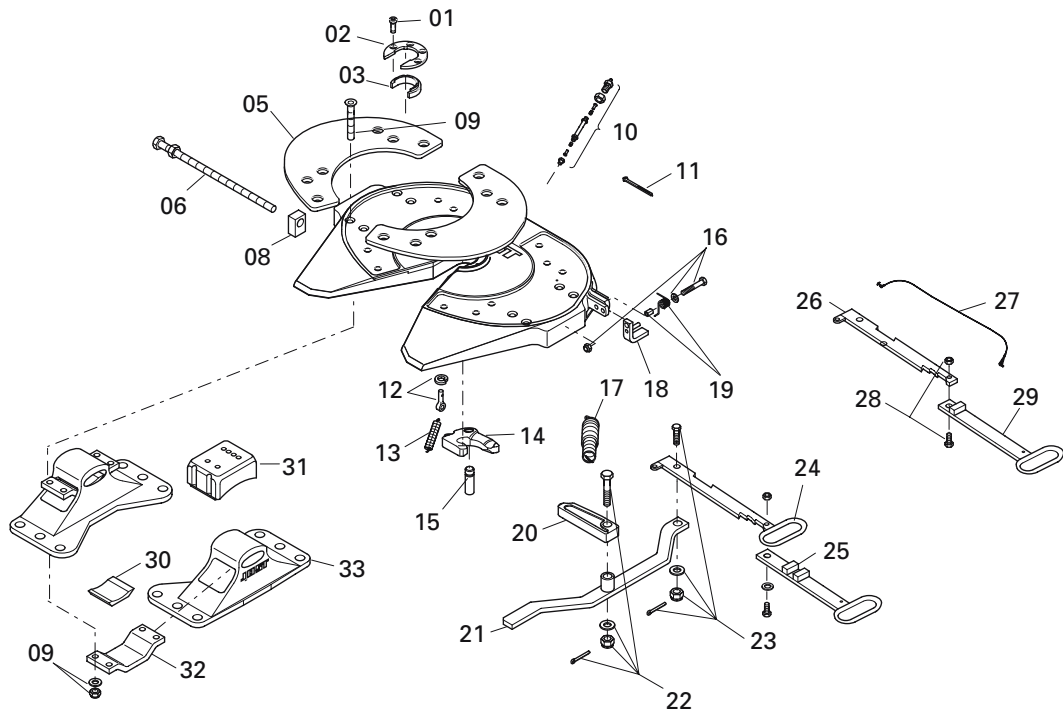
Z8 = Low-maintenance version with LubeTronic

ZL / Handle length

J = Long handle

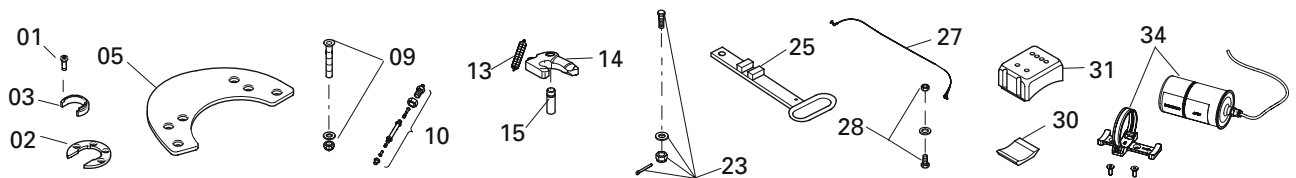
JSK 37 CW

Spare parts



Item	Description	Remark	Order No.	per JSK	Item	Description	Remark	Order No.	per JSK
01	Socket head bolt		SK 3121-55	4	20	Locking bolt		SK 3205-06	1
02	Mounting ring		SK 3105-93	1	21	Lever		SK 3105-18	1
03	Wearing part		SK 3105-92	1	22	Bar bolt	compl.	SK 3221-01	1
05	Slide washer, left		SK 3105-129L	1	23	Hexagon bolt	compl.	SK 1513	1
05	Slide washer, right		SK 3105-129R	1	24	Handle	standard vers.	SK 3105-15	1
06	Adjusting screw		SK 3105-151	1	25	Handle extension	only in retrofit kit		
08	Guide		SK 3205-07	1	26	Locking bar	for type J	SK 3105-115	1
09	Countersunk bolt	compl.	SK 2121-15	8	27	Latch cord	compl. for type J	SK 3521-02	1
10	Lubrication tube	compl. with 11	SK 3108-02	1	28	Hexagon bolt	compl. for type J	SK 2421-50	1
11	Cable tie		SK 3121-13	1	29	Handle	for type J	SK 3105-113	1
12	Eye bolt	compl.	SK 2122-04	1	30	Rubber cushion, lower		SK 2105-25	2
13	Tension spring		SK 847	1	31	Rubber cushion, upper		SK 1259	2
14	Lock jaw	compl. with 11	SK 1489 Z	1	32	Bridge		SK 1372	2
14	Lock jaw	for LubeTronic	SKE 004090000	1	33	Pedestal H 150		SK 2104-02	2
15	Bolt		SK 2106-67	1	33	Pedestal H 170		SK 2104-21	2
16	Hexagon bolt	compl.	SK 3521-03	1	33	Pedestal H 185		SK 2104-01	2
17	Double tension spring		SK 3105-20	1	33	Pedestal H 250		SK 2104-14	2
18	Latch	compl.	SK 3121-52	1	33	Pedestal H 300		SK 2104-20	2
19	Spring noose	compl.	SK 3121-59	1					

Repair and retrofit kits



Item	Description	Order No.	Item	Description	Order No.
10, 13, 14, 15	Repair kit for lock	SK 3221-52 Z	25, 27, 28	Retrofit kit handle extension compl.	SK 3121-063
01, 02, 03, 10, 13, 14, 15, 23	Repair kit for lock	SK 3121-60 Z	01, 02, 03, 13, 14, 15, 34	Repair kit LubeTronic compl.	SKE 004070000
09, 30, 31	Repair kit for bearing	SK 2121-69	01, 02, 03, 05, 13,		
05	Repair kit countersunk bolt	SK 3106-003	14, 15, 34	Repair kit LubeTronic + lock jaw compl.	SKE 004620000

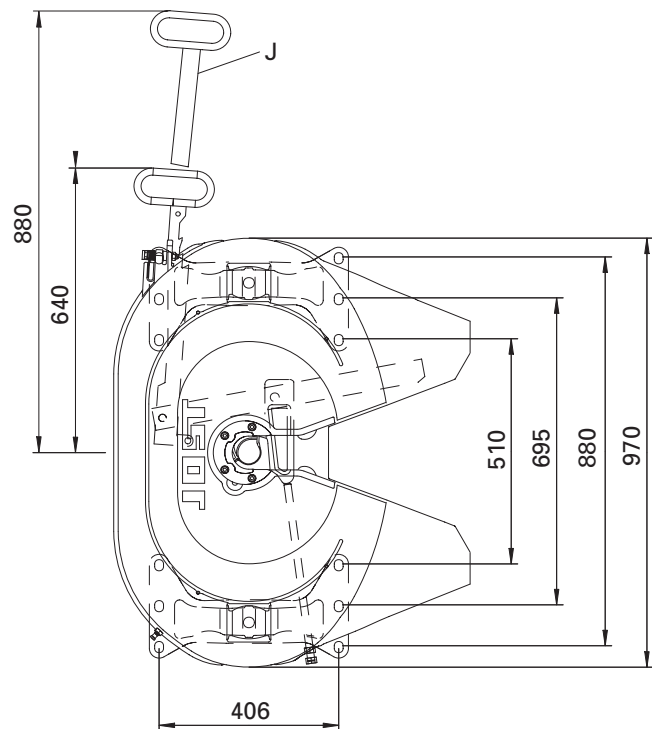
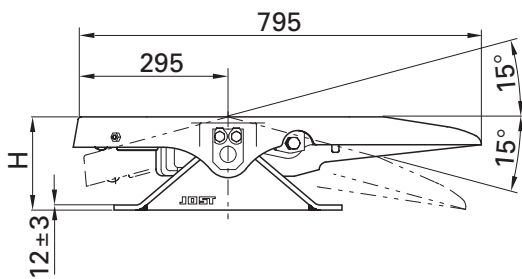
Fifth wheel couplings JSK 37 E/EW

Technical Specification

Pivot bearing.

The fifth wheel coupling complies with the following directives / standards:

94/20/EC - Class G50, DIN 74081, ISO 3842. Suitable for mounting 2" king pins (50) as per 94/20/EC, DIN 74080, ISO 337 and steering wedges as per 94/20/EC, DIN 74085.



Selection table / Versions available

Order No.	H (mm)	D value (kN)	Imposed load U (t)	Weight (kg)	Approval (EC)	WA	ZL
JSK 37 E150	150	152.0	20	135.0	e1 00-0294	Z	K
JSK 37 E150 W	150	152.0	20	135.0	e1 00-0294	W	K
JSK 37 E150 J	150	152.0	20	135.0	e1 00-0294	Z	J
JSK 37 E150 WJ	150	152.0	20	135.0	e1 00-0294	W	J
JSK 37 E170	172	152.0	20	138.0	e1 00-0294	Z	K
JSK 37 E170 W	172	152.0	20	138.0	e1 00-0294	W	K
JSK 37 E170 J	172	152.0	20	138.0	e1 00-0294	Z	J
JSK 37 E170 WJ	172	152.0	20	138.0	e1 00-0294	W	J
JSK 37 E185	185	152.0	20	140.0	e1 00-0294	Z	K
JSK 37 E185 W	185	152.0	20	140.0	e1 00-0294	W	K
JSK 37 E185 J	185	152.0	20	140.0	e1 00-0294	Z	J
JSK 37 E185 WJ	185	152.0	20	140.0	e1 00-0294	W	J
JSK 37 E205	205	152.0	20	141.0	e1 00-0294	Z	K
JSK 37 E205 W	205	152.0	20	141.0	e1 00-0294	W	K
JSK 37 E205 J	205	152.0	20	141.0	e1 00-0294	Z	J
JSK 37 E205 WJ	205	152.0	20	141.0	e1 00-0294	W	J

Explanations:

WA / Maintenance

Z = Prepared for central lubrication

W = Low-maintenance version

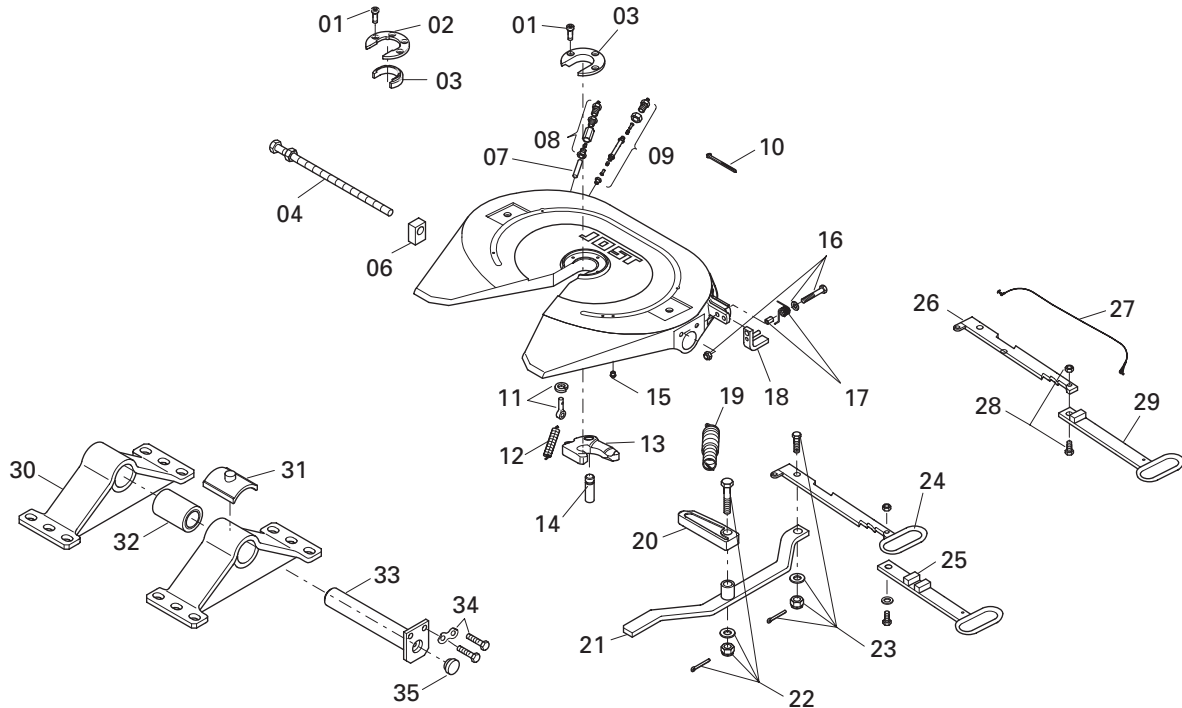
ZL / Handle length

J = Long handle

K = Short handle

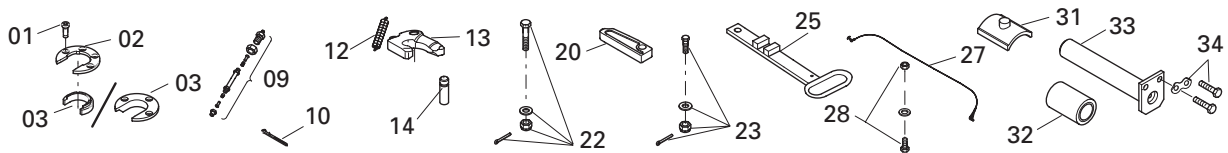
JSK 37 E

Spare parts



Item	Description	Remark	Order No.	per JSK	Item	Description	Remark	Order No.	per JSK
01	Socket head bolt	to xx31xxxxxx	SK 2121-07	3	20	Locking bolt		SK 3205-06	1
01	Socket head bolt	from xx34xxxxxx	SK 3121-55	4	21	Lever	for JSK DH	SKE 500350001	1
02	Mounting ring	from xx34xxxxxx	SK 3105-93	1	21	Lever		SK 3105-18	1
03	Wearing ring	to xx31xxxxxx	SK 2105-19	1	22	Bar bolt	compl.	SK 3221-01	1
03	Wearing part	from xx34xxxxxx	SK 3105-92	1	23	Hexagon bolt	compl.	SK 1513	1
04	Adjusting screw	from xx31xxxxxx	SK 3105-151	1	24	Handle	standard vers.	SK 3105-15	1
04	Adjusting screw	to xx28xxxxxx	SK 3105-150	1	25	Handle extension	only in retrofit kit		
06	Guide		SK 3205-07	1	26	Locking bar	for type J	SK 3105-115	1
07	Lubrication tube	to xx31xxxxxx	SK 1989	1	27	Latch cord	compl. for type J	SK 3521-02	1
08	Nut and bolt		SK 1976	1	28	Hexagon bolt	compl. for type J	SK 2421-50	1
09	Lubrication tube	compl. with 10	SK 3108-02	1	29	Handle	for type J	SK 3105-113	1
10	Cable tie		SK 3121-13	1	30	Pedestal H 150		SKE 501530001	2
11	Eye bolt	compl.	SK 2122-04	1	30	Pedestal H 172		SKE 501540001	2
12	Tension spring		SK 847	1	30	Pedestal H 185		SKE 501550001	2
13	Lock jaw	compl. with 10	SK 1489 Z	1	30	Pedestal H 205		SK 2904-105	2
14	Bolt		SK 2106-67	1	31	Collar	from xx31xxxxxx	SK 3105-95	2
15	Threaded stopper		000.010.021	1	32	Rubber bushing	compl.	SK 2905-94	2
16	Hexagon bolt	compl.	SK 3521-03	1	33	Pivot pin	with 35	SK 3104-05	2
17	Spring noose	compl.	SK 3121-59	1	34	Hexagon bolts	compl.	SK 3121-071	2
18	Latch	compl.	SK 3121-52	1	35	Plug		JS 1101-12	2
19	Double tension spring		SK 3105-20	1					

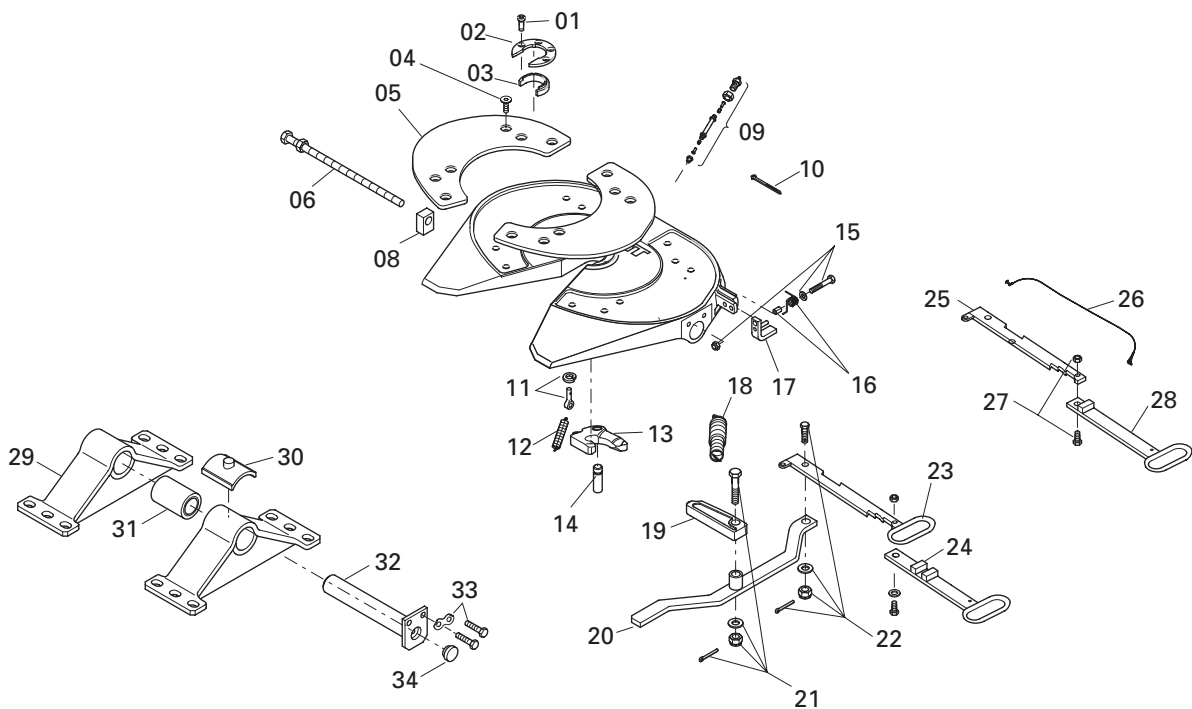
Repair and retrofit kits



Item	Description	Order No.	Item	Description	Order No.
01, 03, 09, 14, 12, 13	Repair kit for lock to xx31xxxxxx	SK 3221-50 Z	31, 32, 33, 34	Repair kit for bearing from xx31xxxxxx	SK 3121-61
09, 14, 12, 13	Repair kit for lock	SK 3221-52 Z	25, 27, 28	Retrofit kit handle extension compl., for type C/CZ	SK 3121-063
01, 03, 09, 12, 13, 14, 23	Repair kit for lock to xx31xxxxxx	SK 3121-56 Z			
01, 02, 03, 09, 12, 13, 14, 23	Repair kit for lock from xx34xxxxxx	SK 3121-60 Z	01, 03, 09, 10, 12, 13,		
32, 33, 34	Repair kit for bearing to xx28xxxxxx	SK 3121-58	14, 20, 22, 23	Repair kit for lock to xx31xxxxxx	SK 3121-072 Z

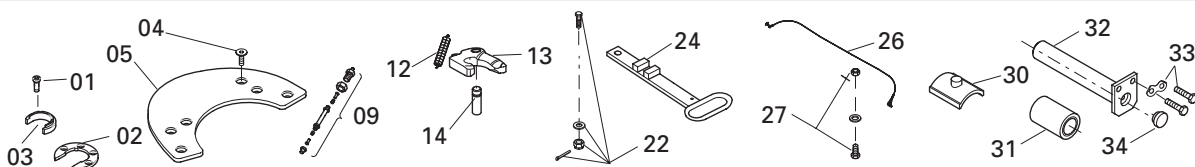
JSK 37 EW

Spare parts



Item	Description	Remark	Order No.	per JSK	Item	Description	Remark	Order No.	per JSK
01	Socket head bolt		SK 3121-55	4	20	Lever		SK 3105-18	1
02	Mounting ring		SK 3105-93	1	21	Bar bolt	compl.	SK 3221-01	1
03	Wearing part		SK 3105-92	1	22	Hexagon bolt	compl.	SK 1513	1
05	Slide washer, left	with 04	SK 3105-129L	1	23	Handle	standard vers.	SK 3105-15	1
05	Slide washer, right	with 04	SK 3105-129R	1	24	Handle extension	only in retrofit kit		
06	Adjusting screw		SK 3105-151	1	25	Locking bar	for type J	SK 3105-115	1
08	Guide		SK 3205-07	1	26	Latch cord	compl. for type J	SK 3521-02	1
09	Lubrication tube	compl. with 10	SK 3108-02	1	27	Hexagon bolt	compl. for type J	SK 2421-50	1
10	Cable tie		SK 3121-13	1	28	Handle	for type J	SK 3105-113	1
11	Eye bolt	compl.	SK 2122-04	1	29	Pedestal H 150		SKE 501530001	2
12	Tension spring		SK 847	1	29	Pedestal H 172		SKE 501540001	2
13	Lock jaw	compl. with 10	SK 1489 Z	1	29	Pedestal H 185		SKE 501550001	2
14	Bolt		SK 2106-67	1	29	Pedestal H 205		SK 2904-105	2
15	Hexagon bolt	compl.	SK 3521-03	1	30	Collar		SK 3105-95	2
16	Spring noose	compl.	SK 3121-59	1	31	Rubber bushing	compl.	SK 2905-94	2
17	Latch	compl.	SK 3121-52	1	32	Pivot pin	with 34	SK 3104-05	2
18	Double tension spring		SK 3105-20	1	33	Hexagon bolts	compl.	SK 3121-071	2
19	Locking bolt		SK 3205-06	1	34	Plug		JS 1101-12	2

Repair and retrofit kits



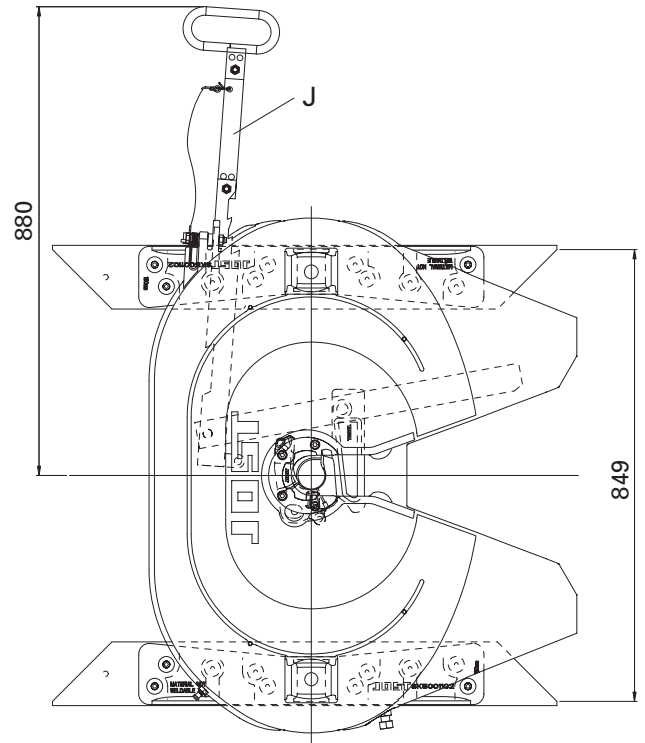
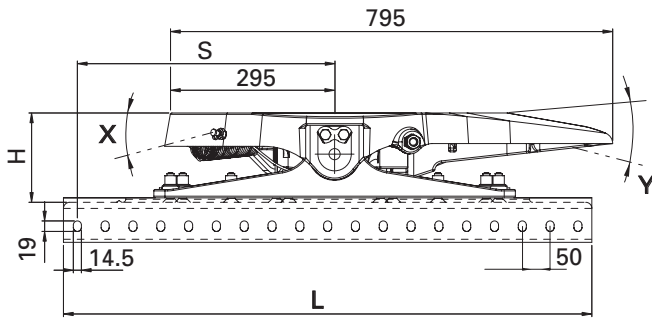
Item	Description	Order No.	Item	Description	Order No.
09, 12, 13, 14	Repair kit for lock	SK 3221-52 Z	30, 31, 32, 33, 34	Repair kit for bearing	SK 3121-61
01, 02, 03, 09, 12, 13, 14, 22	Repair kit for lock	SK 3121-60 Z	24, 26, 27	Retrofit kit handle extension compl.	SK 3121-063
04, 05	Repair kit for top plate with 04	SK 3106-003			

Fifth wheel couplings JSK 37 EA

Technical Specification

Fifth wheel coupling with bolt support for fitting to the frame or subframe of the tractor without a mounting plate.

Suitable for 2" king pins (50) as per DIN 74080 / ISO 337 and steering wedges as per 94/20/EC, DIN 74085.



Selection table / Versions available

Order No.	H (mm)	S (mm)	L (mm)	X	Y	D value (kN)	Imposed load U (t)	Weight (kg)	Approval (EC)	ZL	Oval hole versions*
JSK 37 EA1530AW	140	462.5	950	13°	10°	152.0	20	158.0	e1 00-0293	J	E
JSK 37 EA1530AY	140	437.5	950	13°	10°	152.0	20	158.0	e1 00-0293	J	F
JSK 37 EA2130AW	160	462.5	950	15°	12°	152.0	20	161.0	e1 00-0293	J	E
JSK 37 EA2130AY	160	437.5	950	15°	12°	152.0	20	161.0	e1 00-0293	J	F
JSK 37 EA4430AW	200	462.5	950	15°	12°	152.0	20	167.0	e1 00-0293	J	E
JSK 37 EA4430AY	200	437.5	950	15°	12°	152.0	20	167.0	e1 00-0293	J	F
JSK 37 EA5830AW	230	462.5	950	15°	15°	152.0	20	172.5	e1 00-0293	J	E
JSK 37 EA5830AY	230	437.5	950	15°	15°	152.0	20	172.5	e1 00-0293	J	F

Explanations:

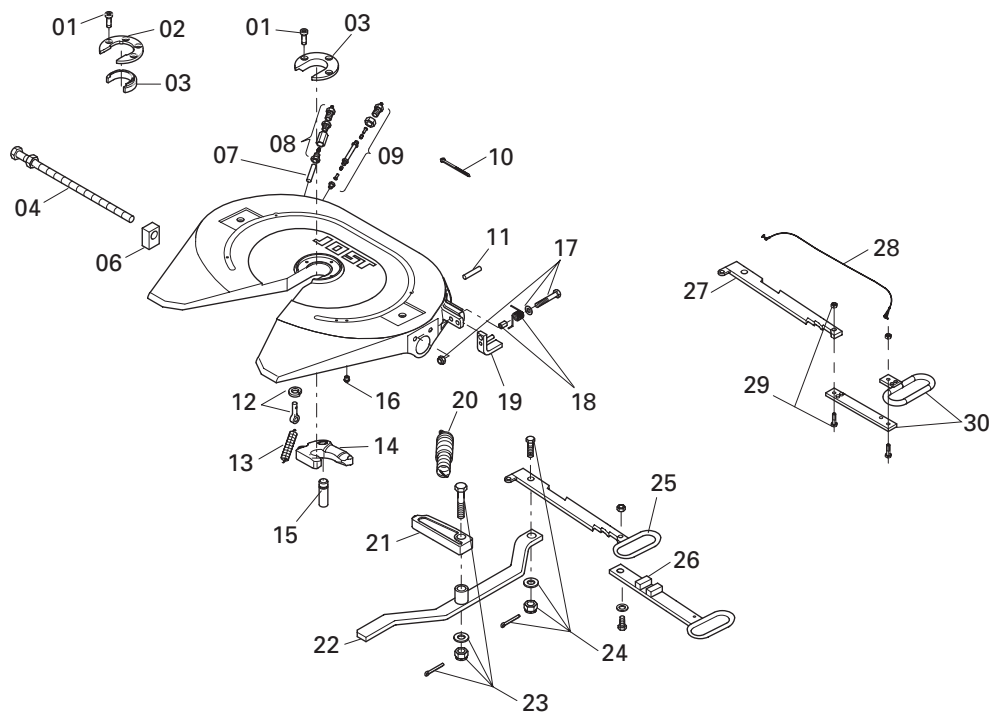
ZL / Handle length

J = Long handle

* Note: see pedestal versions/oval hole versions

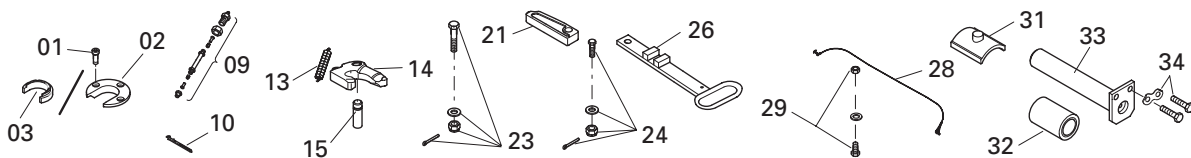
JSK 37 EA

Spare parts



Item	Description	Remark	Order No.	per JSK	Item	Description	Remark	Order No.	per JSK
01	Socket head bolt	to xx31xxxxxx	SK 2121-07	3	16	Threaded stopper		000.010.021	4
01	Socket head bolt	from xx34xxxxxx	SK 3121-55	4	17	Hexagon bolt	compl.	SK 3521-03	1
02	Mounting ring	from xx34xxxxxx	SK 3105-93	1	18	Spring noose with spacer	to xx24xxxxxx	SK 3521-09	1
03	Wearing ring	to xx31xxxxxx	SK 2105-19	1	18	Spring noose	compl. from xx28xxxxxx	SK 3121-59	1
03	Wearing part	from xx34xxxxxx	SK 3105-92	1	19	Latch	compl.	SK 3121-52	1
04	Adjusting screw	from xx31xxxxxx	SK 3105-151	1	20	Double tension spring		SK 3105-20	1
04	Adjusting screw	to xx28xxxxxx	SK 3105-150	1	21	Locking bolt		SK 3205-06	1
06	Guide		SK 3205-07	1	22	Lever		SK 3105-18	1
07	Lubrication tube	to xx31xxxxxx	SK 1989	1	23	Bar bolt	compl.	SK 3221-01	1
08	Nut and bolt	to xx31xxxxxx	SK 1976	1	24	Hexagon bolt	compl.	SK 1513	1
09	Lubrication tube	compl. with 10	SK 3108-02	1	25	Handle	standard vers.	SK 3105-15	1
10	Cable tie		SK 3121-13	1	26	Handle extension	only in retrofit kit		
11	Clamping sleeve	not appl. from xx28xxxxxx	SK 3521-07	1	27	Locking bar	for type J	SK 3105-115	1
12	Eye bolt	compl.	SK 2122-04	1	28	Latch cord	compl. for type J	SK 3521-02	1
13	Tension spring		SK 847	1	29	Hexagon bolt	compl. for type J	SK 2421-50	2
14	Lock jaw	compl. with 10	SK 1489 Z	1	30	Handle	compl. with 28 + 29	SK 3121-064	1
15	Bolt		SK 2106-67	1					

Repair and retrofit kits



Item	Description	Order No.	Item	Description	Order No.
01, 03, 09, 13, 14, 15	Repair kit for lock to xx31xxxxxx	SK 3221-50 Z	31, 32, 33, 34	Repair kit for bearing from xx31xxxxxx	SK 3121-61
09, 13, 14, 15	Repair kit for lock	SK 3221-52 Z	26, 28, 29	Retrofit kit handle extension compl.	SK 3121-063
01, 03, 09, 13, 14, 15, 24	Repair kit for lock to xx31xxxxxx	SK 3121-56 Z	01, 03, 09, 10, 13, 14,		
01, 02, 03, 09, 13, 14, 15, 24	Repair kit for lock from xx34xxxxxx	SK 3121-60 Z	15, 21, 23, 24	Repair kit for lock to xx31xxxxxx	SK 3121-072 Z
32, 33, 34	Repair kit for bearing to xx28xxxxxx	SK 3121-58			

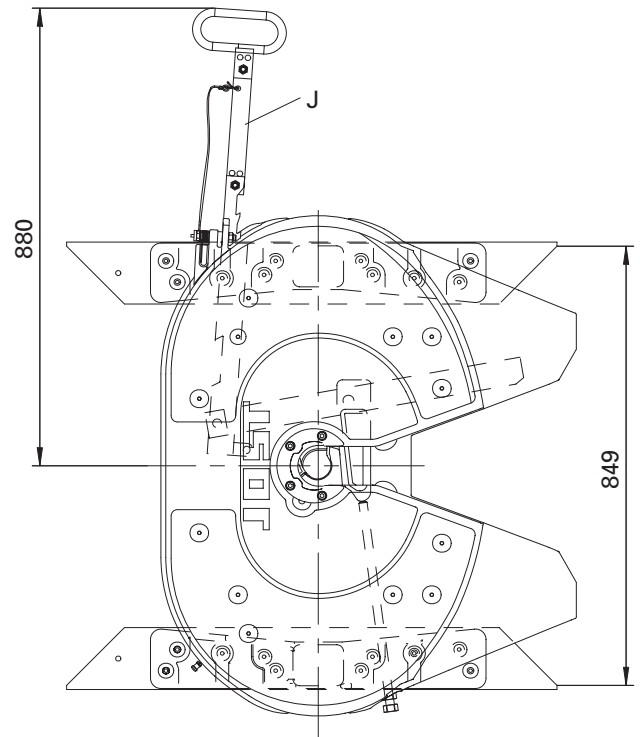
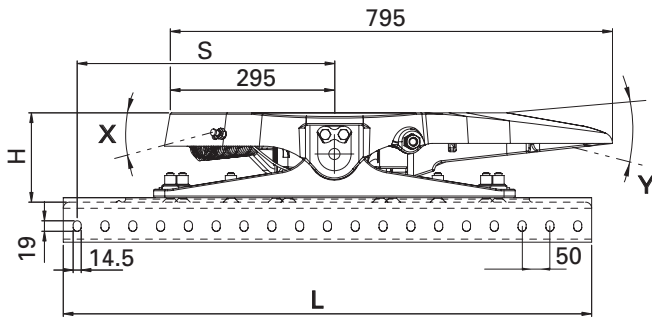
Note: see pedestal versions/oval hole versions

Fifth wheel couplings JSK 37 EAW

Technical Specification

Fifth wheel coupling with bolt support for fitting to the frame or subframe of the tractor without a mounting plate.

Suitable for 2" king pins (50) as per DIN 74080 / ISO 337 and steering wedges as per 94/20/EC, DIN 74085.



Selection table / Versions available

Order No.	H (mm)	S (mm)	L (mm)	X	Y	D value (kN)	Imposed load U (t)	Weight (kg)	Approval (EC)	ZL	Oval hole versions*
JSK 37 EA1502AW	140	462.5	950	13°	10°	152.0	20	158.0	e1 00-0293	J	E
JSK 37 EA1502AY	140	437.5	950	13°	10°	152.0	20	158.0	e1 00-0293	J	F
JSK 37 EA2102AW	160	462.5	950	15°	12°	152.0	20	161.0	e1 00-0293	J	E
JSK 37 EA2102AY	160	437.5	950	15°	12°	152.0	20	161.0	e1 00-0293	J	F
JSK 37 EA4402AW	200	462.5	950	15°	12°	152.0	20	167.0	e1 00-0293	J	E
JSK 37 EA4402AY	200	437.5	950	15°	12°	152.0	20	167.0	e1 00-0293	J	F
JSK 37 EA5802AW	230	462.5	950	15°	15°	152.0	20	172.5	e1 00-0293	J	E
JSK 37 EA5802AY	230	437.5	950	15°	15°	152.0	20	172.5	e1 00-0293	J	F

Explanations:

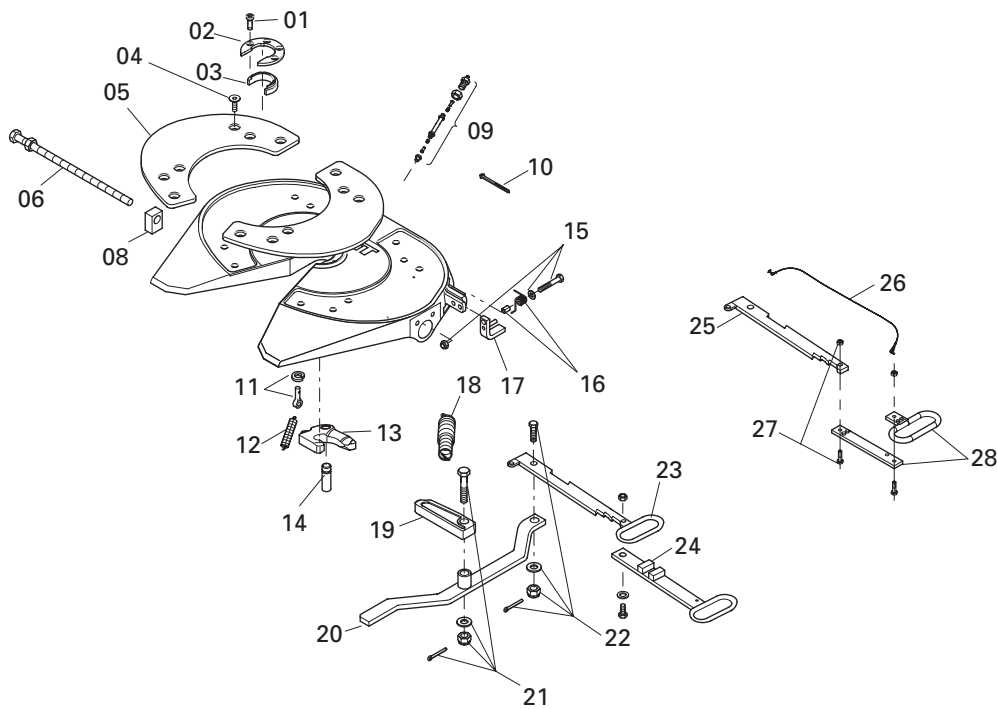
ZL / Handle length

J = Long handle

* Note: see pedestal versions/oval hole versions

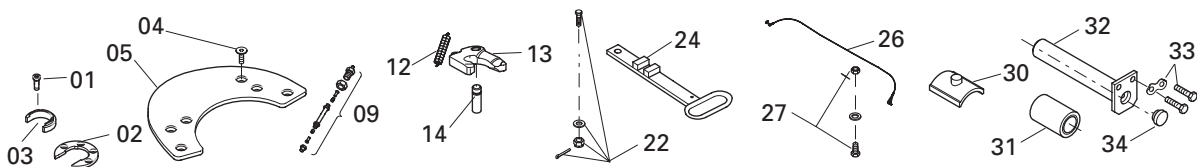
JSK 37 EAW

Spare parts



Item	Description	Remark	Order No.	per JSK	Item	Description	Remark	Order No.	per JSK
01	Socket head bolt		SK 3121-55	4	16	Spring noose	compl.	SK 3121-59	1
02	Mounting ring		SK 3105-93	1	17	Latch	compl.	SK 3121-52	1
03	Wearing part		SK 3105-92	1	18	Double tension spring		SK 3105-20	1
04	Slide washer, left	with 04	SK 3105-129L	1	19	Locking bolt		SK 3205-06	1
05	Slide washer, right	with 04	SK 3105-129R	1	20	Lever		SK 3105-18	1
06	Adjusting screw		SK 3105-151	1	21	Bar bolt	compl.	SK 3221-01	1
08	Guide		SK 3205-07	1	22	Hexagon bolt	compl.	SK 1513	1
09	Lubrication tube	compl. with 10	SK 3108-02	1	23	Handle	standard vers.	SK 3105-15	1
10	Cable tie		SK 3121-13	1	24	Handle extension	only in retrofit kit		
11	Eye bolt	compl.	SK 2122-04	1	25	Locking bar	for type J	SK 3105-115	1
12	Tension spring		SK 847	1	26	Latch cord	compl. for type J	SK 3521-02	1
13	Lock jaw	compl. with 10	SK 1489 Z	1	27	Hexagon bolt	compl. for type J	SK 2421-50	2
14	Bolt		SK 2106-67	1	28	Handle	compl. with 26 + 27	SK 3121-064	1
15	Hexagon bolt	compl.	SK 3521-03	1					

Repair and retrofit kits



Item	Description	Order No.	Item	Description	Order No.
09, 12, 13, 14	Repair kit for lock	SK 3221-52 Z	30, 31, 32, 33, 34	Repair kit for bearing	SK 3121-61
01, 02, 03, 09, 12, 13, 14, 22	Repair kit for lock	SK 3121-60 Z	24, 26, 27	Retrofit kit handle extension compl.	SK 3121-063
05	Repair kit for top plate with 04	SK 3106-003			

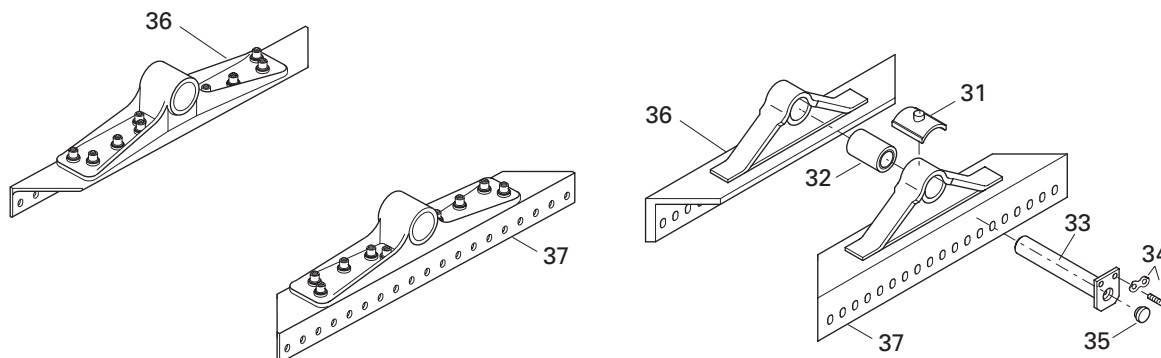
Note: see pedestal versions/oval hole versions

JSK 37 EA/EAW

Pedestal versions	Oval hole versions
	<p>A: S = 762,5 mm</p> <p>B: S = 737,5 mm</p>
	<p>C: S = 564 mm</p> <p>D: S = 664 mm</p>
	<p>E: S = 462,5 mm</p> <p>F: S = 437,5 mm</p>

Note: Moving the right and left pedestals to the opposite sides turns version A into version B, version E into version F and vice versa. This displaces the fifth wheel coupling by 25 mm from the tractor's mounting hole pattern.

Spare parts



Item	Description	Remark	Order No.	per JSK	Item	Description	Remark	Order No.	per JSK
31	Collar	from xx31xxxxxx	SK 3105-95	2	36	Pedestal H 200	left, for version F	SKE 500020111	1
32	Rubber bushing	compl.	SK 2905-94	2	36	Pedestal H 230	left, for version E	SKE 500010011	1
33	Pivot pin	+ 35, JSK 36 DA	SK 2904-99	2	36	Pedestal H 230	left, for version E	SKE 500020011	1
33	Pivot pin	with 35, JSK 37 E/EW	SK 3104-05	2	37	Pedestal H 140	right, for version A	SK 3104-32	1
34	Hexagon bolts	compl., JSK 37 E/EW	SK 3121-071	2	37	Pedestal H 140	right, for version B	SK 3104-31	1
34	Hexagon bolts	compl., JSK 36 DA	SK 2921-038	2	37	Pedestal H 140	right, for version C	SK 3104-34-01	1
35	Plug		JS 1101-12	2	37	Pedestal H 140	right, for version D	SK 3104-34-04	1
36	Pedestal H 140	left, for version A	SK 3104-31	1	37	Pedestal H 140	right, for version E	SKE 500020311	1
36	Pedestal H 140	left, for version B	SK 3104-32	1	37	Pedestal H 140	right, for version F	SKE 500010311	1
36	Pedestal H 140	left, for version C	SK 3104-33-01	1	37	Pedestal H 160	right, for version A	SKE 500630211	1
36	Pedestal H 140	left, for version D	SK 3104-33-04	1	37	Pedestal H 160	right, for version B	SKE 500620211	1
36	Pedestal H 140	left, for version E	SKE 500010311	1	37	Pedestal H 160	right, for version C	SK 3104-34-02	1
36	Pedestal H 140	left, for version F	SKE 500020311	1	37	Pedestal H 160	right, for version D	SK 3104-34-05	1
36	Pedestal H 160	left, for version A	SKE 500620211	1	37	Pedestal H 160	right, for version E	SKE 500020211	1
36	Pedestal H 160	left, for version B	SKE 500630211	1	37	Pedestal H 160	right, for version F	SKE 500010211	1
36	Pedestal H 160	left, for version C	SK 3104-33-02	1	37	Pedestal H 200	right, for version A	SKE 500630111	1
36	Pedestal H 160	left, for version D	SK 3104-33-05	1	37	Pedestal H 200	right, for version B	SKE 500620111	1
36	Pedestal H 160	left, for version E	SKE 500010211	1	37	Pedestal H 200	right, for version C	SK 3104-34-03	1
36	Pedestal H 160	left, for version F	SKE 500020211	1	37	Pedestal H 200	right, for version D	SK 3104-34-06	1
36	Pedestal H 200	left, for version A	SKE 500620111	1	37	Pedestal H 200	right, for version E	SKE 500020111	1
36	Pedestal H 200	left, for version B	SKE 500630111	1	37	Pedestal H 200	right, for version F	SKE 500010111	1
36	Pedestal H 200	left, for version C	SK 3104-33-03	1	37	Pedestal H 230	right, for version E	SKE 500020011	1
36	Pedestal H 200	left, for version D	SK 3104-33-06	1	37	Pedestal H 230	right, for version F	SKE 500010011	1
36	Pedestal H 200	left, for version E	SKE 500010111	1					

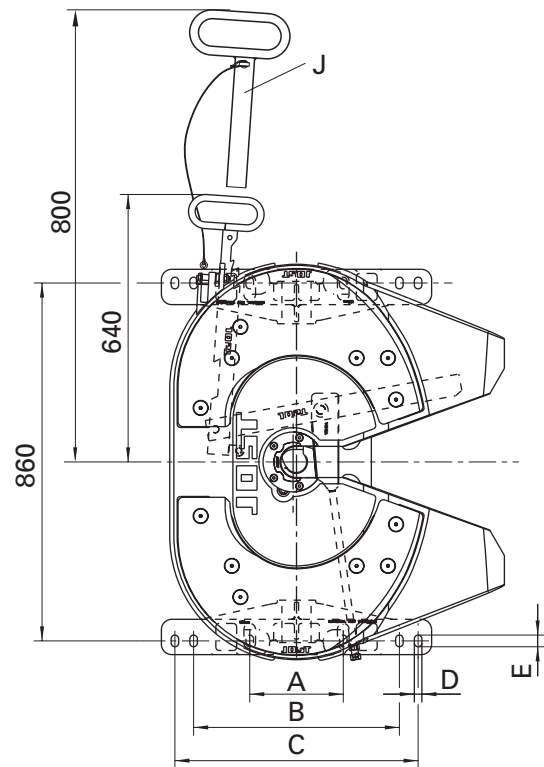
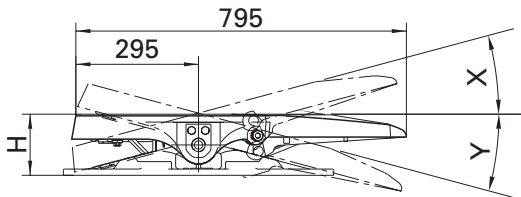
Fifth wheel couplings JSK 37 ER/ERW

Technical Specification

Fifth wheel coupling with pivot bearing for fitting to the frame or mounting angles of the tractor without a mounting plate.

The fifth wheel coupling complies with the following directives / standards:

94/20/EC - Class G50, DIN 74081, ISO 3842. Suitable for mounting 2" king pins (50) as per 94/20/EC, DIN 74080, ISO 337 and steering wedges as per 94/20/EC, DIN 74085.



Selection table / Versions available

Order No.	H (mm)	LB	A (mm)	B (mm)	C (mm)	D (mm)	E (mm)	X	Y	Weight (kg)	WA	ZL
JSK37ER190301*	148	01	200		600	22	32	12°	12°	140.0	Z	J
JSK37ER190901*	148	01	200		600	22	32	12°	12°	140.0	W	J
JSK37ER190302*	148	02	225	495	585	18	28	12°	12°	140.0	Z	J
JSK37ER400301	190	01	200		600	22	32	12°	12°	150.0	Z	J
JSK37ER400901	190	01	200		600	22	32	12°	12°	150.0	W	J
JSK37ER400302	190	02	225	495	585	18	28	12°	12°	150.0	Z	J
JSK37ER570301	225	01	200		600	22	32	12°	12°	153.0	Z	J
JSK37ER570901	225	01	200		600	22	32	12°	12°	153.0	W	J
JSK37ER570302	225	02	225	495	585	18	28	12°	12°	153.0	Z	J
JSK37ER570103	225	07	200	500	600	18	20	12°	12°	159.0	Z	K
JSK37ER570203	225	07	200	500	600	18	20	12°	12°	159.0	W	K

Explanations:

WA / Maintenance

Z = Prepared for central lubrication

W = Low-maintenance version

ZL / Handle length

J = Long handle

K = Short handle

LB / Hole pattern

01 = Oval hole 22 x 32 mm (Daimler)

02 = Oval hole 18 x 28 mm (Iveco)

07 = Oval hole 18 x 20 mm (DAF)

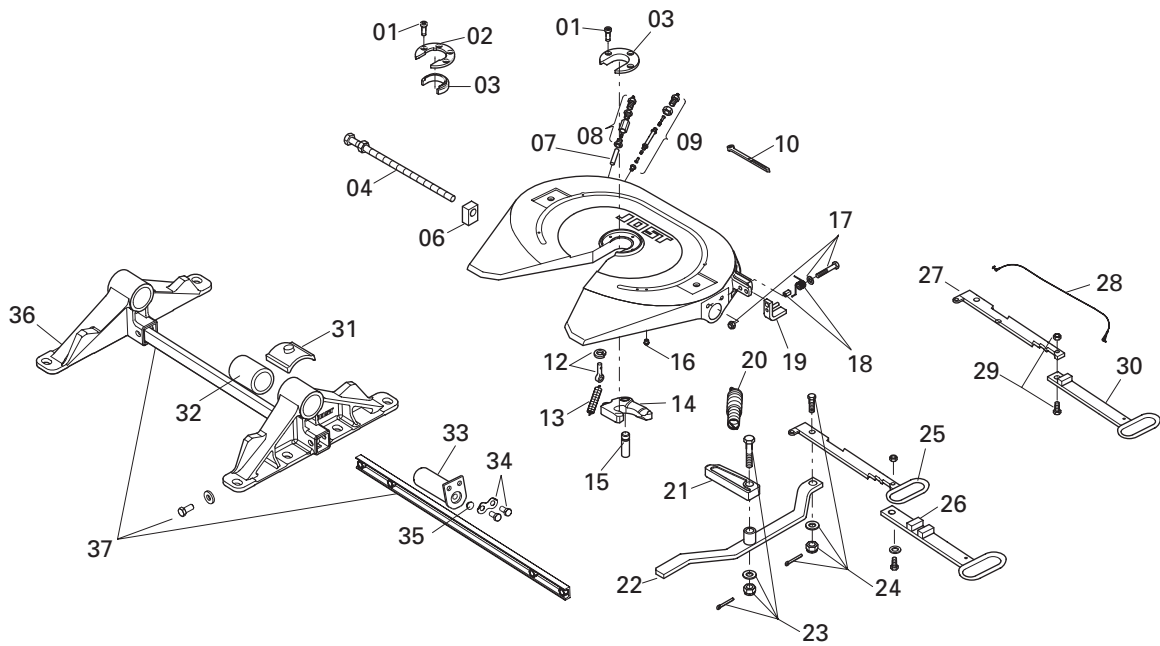
* Note: Vehicle manufacturers stipulate an additional frame plate as reinforcement for this mounting height. Please follow the mounting guidelines given by the vehicle manufacturer.

Technical Data

D value (kN)	Imposed load U (t)	Approval (EC)
152.0	20	e1 00-0294

JSK 37 ER

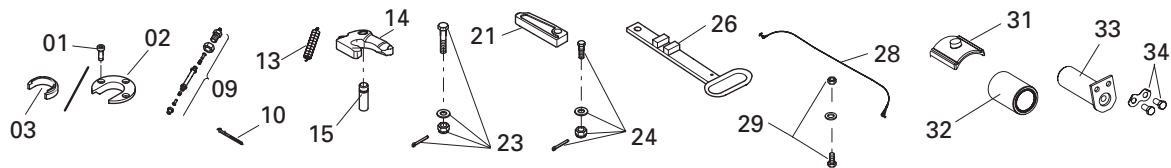
Spare parts



Item	Description	Remark	Order No.	per JSK	Item	Description	Remark	Order No.	per JSK
01	Socket head bolt	to xx31xxxxxx	SK 2121-07	3	22	Lever		SK 3105-18	1
01	Socket head bolt	from xx34xxxxxx	SK 3121-55	4	23	Bar bolt	compl.	SK 3221-01	1
02	Mounting ring	from xx34xxxxxx	SK 3105-93	1	24	Hexagon bolt	compl.	SK 1513	1
03	Wearing ring	to xx31xxxxxx	SK 2105-19	1	25	Handle	standard vers.	SK 3105-15	1
03	Wearing part	from xx34xxxxxx	SK 3105-92	1	26	Handle extension	only in retrofit kit		
04	Adjusting screw		SK 3105-151	1	27	Locking bar	for type J	SK 3105-115	1
06	Guide		SK 3205-07	1	28	Latch cord	compl. for type J	SK 3521-02	1
07	Lubrication tube	to xx31xxxxxx	SK 1989	1	29	Hexagon bolt	compl. for type J	SK 2421-50	1
08	Nut and bolt	to xx31xxxxxx	SK 1976	1	30	Handle	for type J	SK 3105-113	1
09	Lubrication tube	compl. with 10	SK 3108-02	1	31	Collar		SK 3105-95	2
10	Cable tie		SK 3121-13	1	32	Rubber bushing	compl.	SK 2905-94	2
12	Eye bolt	compl.	SK 2122-04	1	33	Pivot pin	with 35	SK 3104-05	2
13	Tension spring		SK 847	1	34	Hexagon bolts	compl.	SK 3121-071	2
14	Lock jaw	compl. with 10	SK 1489 Z	1	35	Plug		JS 1101-12	2
15	Bolt		SK 2106-67	1	36	Pedestal H 148*	for version 01	SK 3104-40-01	2
16	Threaded stopper		000.010.021	4	36	Pedestal H 148*	for version 02	SK 3104-40-02	2
17	Hexagon bolt	compl.	SK 3521-03	1	36	Pedestal H 190	for version 01	SK 3104-41-01	2
18	Spring noose	compl.	SK 3121-59	1	36	Pedestal H 190	for version 02	SK 3104-41-02	2
19	Latch	compl.	SK 3121-52	1	36	Pedestal H 225	for version 01	SK 3104-42-01	2
20	Double tension spring		SK 3105-20	1	36	Pedestal H 225	for version 02	SK 3104-42-02	2
21	Locking bolt		SK 3205-06	1	37	Traverse	compl. f. H 190 + H 225	SK 3104-47	1

* Note: Vehicle manufacturers stipulate an additional frame plate as reinforcement for this mounting height. Please follow the mounting guidelines given by the vehicle manufacturer.

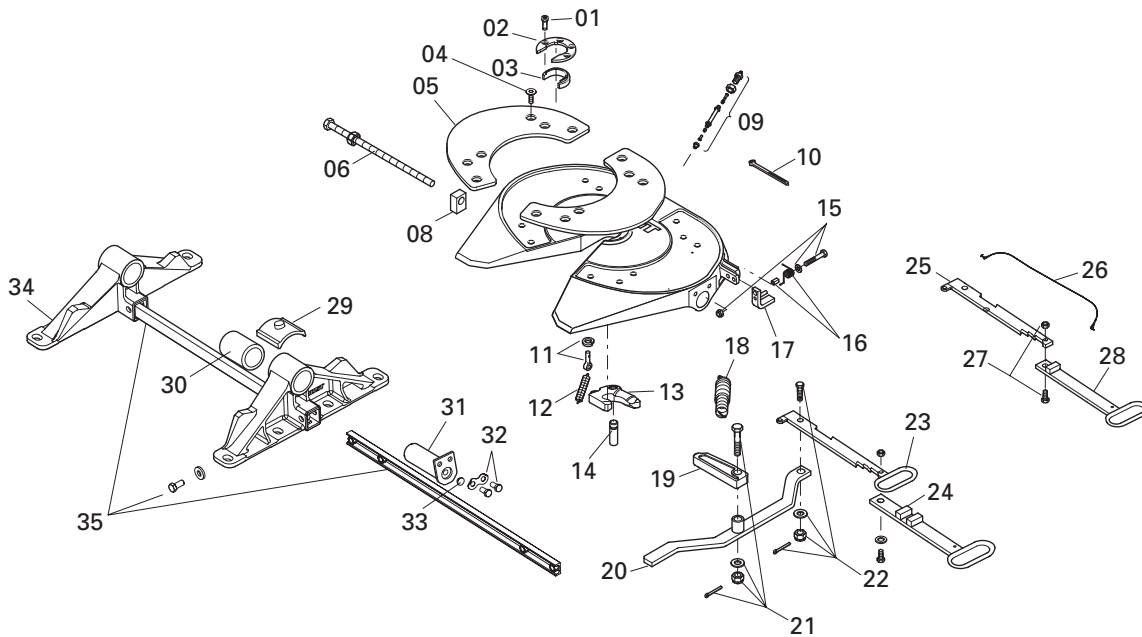
Repair and retrofit kits



Item	Description	Order No.	Item	Description	Order No.
01, 03, 09, 13, 14, 15	Repair kit for lock to xx31xxxxxx	SK 3221-50 Z	31, 32, 33, 34	Repair kit for bearing	SK 3121-61
09, 13, 14, 15	Repair kit for lock	SK 3221-52 Z	26, 28, 29	Retrofit kit handle extension compl.	SK 3121-063
01, 03, 09, 13, 14, 15, 24	Repair kit for lock to xx31xxxxxx	SK 3121-56 Z	01, 03, 09, 10, 13, 14,		
01, 02, 03, 09, 12, 13, 14, 23	Repair kit for lock from xx34xxxxxx	SK 3121-60 Z	15, 21, 23, 24	Repair kit for lock to xx31xxxxxx	SK 3121-072 Z

JSK 37 ERW

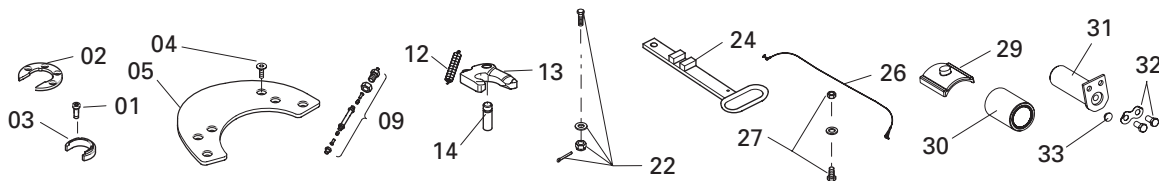
Spare parts



Item	Description	Remark	Order No.	per JSK	Item	Description	Remark	Order No.	per JSK
01	Socket head bolt		SK 3121-55	4	22	Hexagon bolt	compl.	SK 1513	1
02	Mounting ring		SK 3105-93	1	23	Handle	standard vers.	SK 3105-15	1
03	Wearing part		SK 3105-92	1	24	Handle extension	only in retrofit kit		
05	Slide washer, left	with 04	SK 3105-129L	1	25	Locking bar	for type J	SK 3105-115	1
05	Slide washer, right	with 04	SK 3105-129R	1	26	Latch cord	compl. for type J	SK 3521-02	1
06	Adjusting screw		SK 3105-151	1	27	Hexagon bolt	compl. for type J	SK 2421-50	1
08	Guide		SK 3205-07	1	28	Handle	for type J	SK 3105-113	1
09	Lubrication tube	compl. with 10	SK 3108-02	1	29	Collar		SK 3105-95	2
10	Cable tie		SK 3121-13	1	30	Rubber bushing	compl.	SK 2905-94	2
11	Eye bolt	compl.	SK 2122-04	1	31	Pivot pin	with 33	SK 3104-05	2
12	Tension spring		SK 847	1	32	Hexagon bolts	compl.	SK 3121-071	2
13	Lock jaw	compl. with 10	SK 1489 Z	1	33	Plug		JS 1101-12	2
14	Bolt		SK 2106-67	1	34	Pedestal H 148*	for version 01	SK 3104-40-01	2
15	Hexagon bolt	compl.	SK 3521-03	1	34	Pedestal H 148*	for version 02	SK 3104-40-02	2
16	Spring noose	compl.	SK 3121-59	1	34	Pedestal H 190	for version 01	SK 3104-41-01	2
17	Latch	compl.	SK 3121-52	1	34	Pedestal H 190	for version 02	SK 3104-41-02	2
18	Double tension spring		SK 3105-20	1	34	Pedestal H 225	for version 01	SK 3104-42-01	2
19	Locking bolt		SK 3205-06	1	34	Pedestal H 225	for version 02	SK 3104-42-02	2
20	Lever		SK 3105-18	1	35	Traverse	compl. f. H 190 + H 225	SK 3104-47	1
21	Bar bolt	compl.	SK 3221-01	1					

* Note: Vehicle manufacturers stipulate an additional frame plate as reinforcement for this mounting height. Please follow the mounting guidelines given by the vehicle manufacturer.

Repair and retrofit kits



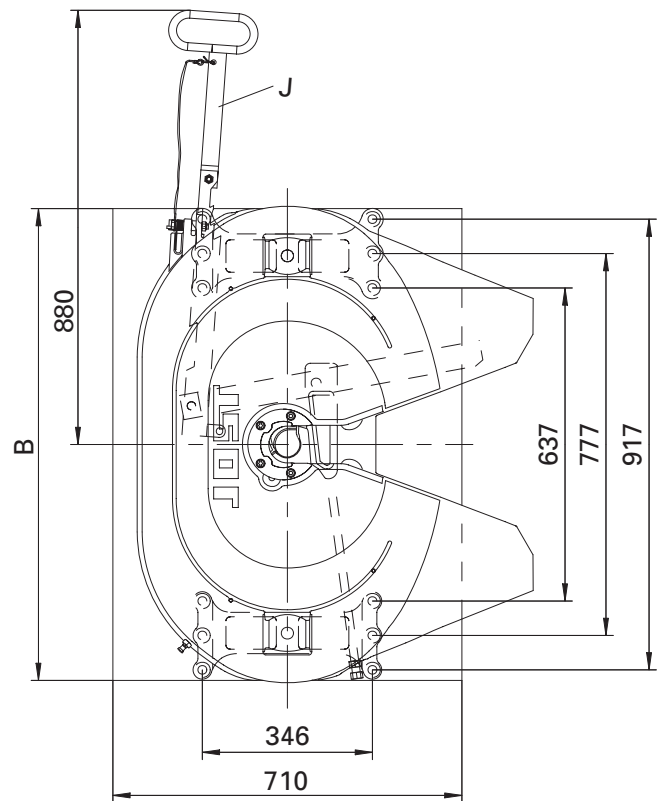
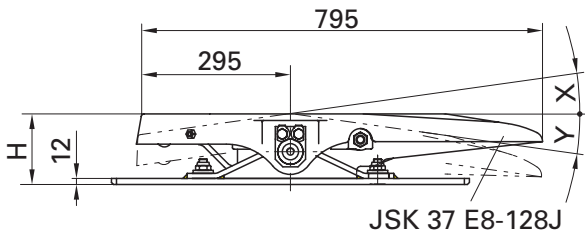
Item	Description	Order No.	Item	Description	Order No.
09, 12, 13, 14	Repair kit for lock	SK 3221-52 Z	29, 30, 31, 32, 33	Repair kit for bearing	SK 3121-61
01, 02, 03, 09, 12, 13, 14, 22	Repair kit for lock	SK 3121-60 Z	24, 26, 27	Retrofit kit handle extension compl.	SK 3121-063
05	Repair kit for top plate with 04	SK 3106-003			

Fifth wheel couplings JSK 37 ME140/ME140W

Technical Specification

Pivot-mounted fifth wheel coupling (JSK 37 E8-128J with JOST oval hole and integrated mounting plate) and very low mounting height of 140 mm. In spite of the low mounting height, there is a pitching angle of $\pm 8^\circ$.

Suitable for 2" king pins (50) as per DIN 74080 / ISO 337 and steering wedges as per DIN 74085.



Selection table / Versions available

Order No. (SK + MP)	H (mm)	B (mm)	X	Y	D value (kN)	Imposed load U (t)	Weight (kg)	Approval (EC) Fifth wheel Coupling	WA	Mounting plate
JSK 37 ME140 A1	140	960	8°	8°	126.0	15	191.0	e1 00-0294	Z	A1 (MP 0813-64)
JSK 37 ME140 A1 W	140	960	8°	8°	126.0	15	191.0	e1 00-0294	W	A1 (MP 0813-64)
JSK 37 ME140 E1	140	1050	8°	8°	126.0	15	197.0	e1 00-0294	Z	E1 (MP 0815-74)
JSK 37 ME140 E1 W	140	1050	8°	8°	126.0	15	197.0	e1 00-0294	W	E1 (MP 0815-74)

Explanations:

WA / Maintenance

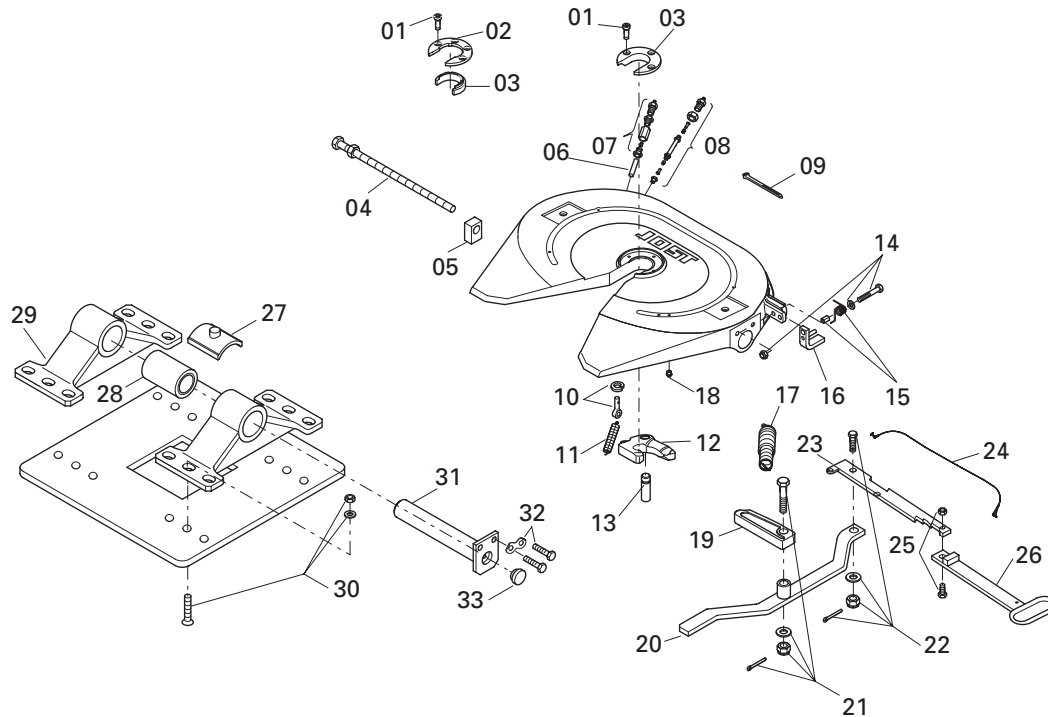
Z = Prepared for central lubrication

W = Low-maintenance version

Approval EC of mounting plate e1 00-0367

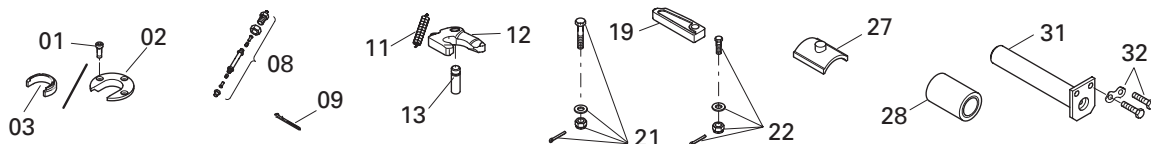
JSK 37 ME140

Spare parts



Item	Description	Remark	Order No.	per JSK	Item	Description	Remark	Order No.	per JSK
01	Socket head bolt	to xx31xxxxxx	SK 2121-07	3	17	Double tension spring		SK 3105-20	1
01	Socket head bolt	from xx34xxxxxx	SK 3121-55	4	18	Threaded stopper		000.010.021	4
02	Mounting ring	from xx34xxxxxx	SK 3105-93	1	19	Locking bolt		SK 3205-06	1
03	Wearing ring	to xx31xxxxxx	SK 2105-19	1	20	Lever		SK 3105-18	1
03	Wearing part	from xx34xxxxxx	SK 3105-92	1	21	Bar bolt	compl.	SK 3221-01	1
04	Adjusting screw		SK 3105-151	1	22	Hexagon bolt	compl.	SK 1513	1
05	Guide		SK 3205-07	1	23	Locking bar		SK 3105-115	1
06	Lubrication tube	to xx31xxxxxx	SK 1989	1	24	Latch cord	compl.	SK 3521-02	1
07	Nut and bolt	to xx31xxxxxx	SK 1976	1	25	Hexagon bolt	compl.	SK 2421-50	1
08	Lubrication tube	compl. with 09	SK 3108-02	1	26	Handle		SK 3105-113	1
09	Cable tie		SK 3121-13	1	27	Collar	from xx31xxxxxx	SK 3105-95	2
10	Eye bolt	compl.	SK 2122-04	1	28	Rubber bushing	compl.	SK 2905-94	2
11	Tension spring		SK 847	1	29	Pedestal		SK 3104-06	2
12	Lock jaw	compl. with 09	SK 1489 Z	1	30	Mounting kit		SK 3110-011	1
13	Bolt		SK 2106-67	1	31	Pivot pin	with 33	SK 3104-05	2
14	Hexagon bolt	compl.	SK 3521-03	1	32	Hexagon bolts	compl.	SK 3121-071	2
15	Spring noose	compl.	SK 3121-59	1	33	Plug		JS 1101-12	2
16	Latch	compl.	SK 3121-52	1					

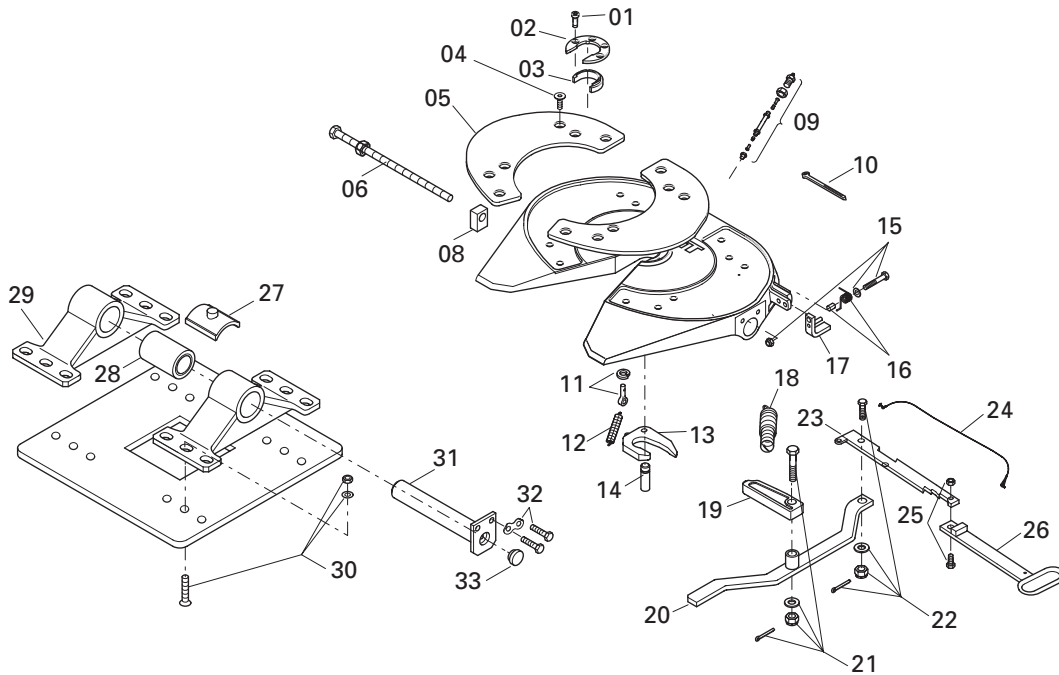
Repair and retrofit kits



Item	Description	Order No.	Item	Description	Order No.
01, 03, 08, 11, 12, 13	Repair kit for lock to xx31xxxxxx	SK 3221-50 Z	28, 31, 32	Repair kit for bearing to xx28xxxxxx	SK 3121-58
08, 11, 12, 13	Repair kit for lock	SK 3221-52 Z	27, 28, 31, 32	Repair kit for bearing from xx31xxxxxx	SK 3121-61
01, 03, 08, 11, 12, 13, 22	Repair kit for lock to xx31xxxxxx	SK 3121-56 Z	01, 03, 08, 09, 11, 12,		
01, 02, 03, 08, 11, 12, 13, 22	Repair kit for lock from xx34xxxxxx	SK 3121-60 Z	13, 19, 21, 22	Repair kit for lock to xx31xxxxxx	SK 3121-072 Z

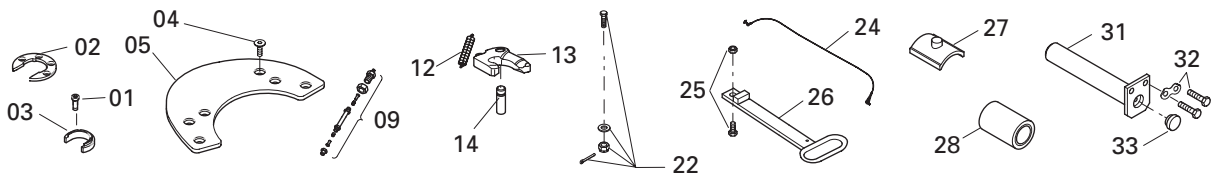
JSK 37 ME140W

Spare parts



Item	Description	Remark	Order No.	per JSK	Item	Description	Remark	Order No.	per JSK
01	Socket head bolt		SK 3121-55	4	18	Double tension spring		SK 3105-20	1
02	Mounting ring		SK 3105-93	1	19	Locking bolt		SK 3205-06	1
03	Wearing part		SK 3105-92	1	20	Lever		SK 3105-18	1
05	Slide washer, left	with 04	SK 3105-129L	1	21	Bar bolt	compl.	SK 3221-01	1
05	Slide washer, right	with 04	SK 3105-129R	1	22	Hexagon bolt	compl.	SK 1513	1
06	Adjusting screw		SK 3105-151	1	23	Locking bar		SK 3105-115	1
08	Guide		SK 3205-07	1	24	Latch cord	compl.	SK 3521-02	1
09	Lubrication tube	compl. with 10	SK 3108-02	1	25	Hexagon bolt	compl.	SK 2421-50	1
10	Cable tie		SK 3121-13	1	26	Handle		SK 3105-113	1
11	Eye bolt	compl.	SK 2122-04	1	27	Collar		SK 3105-95	2
12	Tension spring		SK 847	1	28	Rubber bushing	compl.	SK 2905-94	2
13	Lock jaw	compl. with 10	SK 1489 Z	1	29	Pedestal		SK 3104-06	2
14	Bolt		SK 2106-67	1	30	Mounting kit		SK 3110-011	1
15	Hexagon bolt	compl.	SK 3521-03	1	31	Pivot pin	with 33	SK 3104-05	2
16	Spring noose	compl.	SK 3121-59	1	32	Hexagon bolts	compl.	SK 3121-071	2
17	Latch	compl.	SK 3121-52	1	33	Plug		JS 1101-12	2

Repair and retrofit kits



Item	Description	Order No.	Item	Description	Order No.
09, 12, 13, 14	Repair kit for lock	SK 3221-52 Z	27, 28, 31, 32, 33	Repair kit for bearing	SK 3121-61
01, 02, 03, 09, 12, 13, 14, 22	Repair kit for lock	SK 3121-60 Z	24, 25, 26	Retrofit kit handle extension compl.	SK 3121-063
05	Repair kit for top plate with 04	SK 3106-003			

Fifth wheel couplings Plate mounting JSK 42

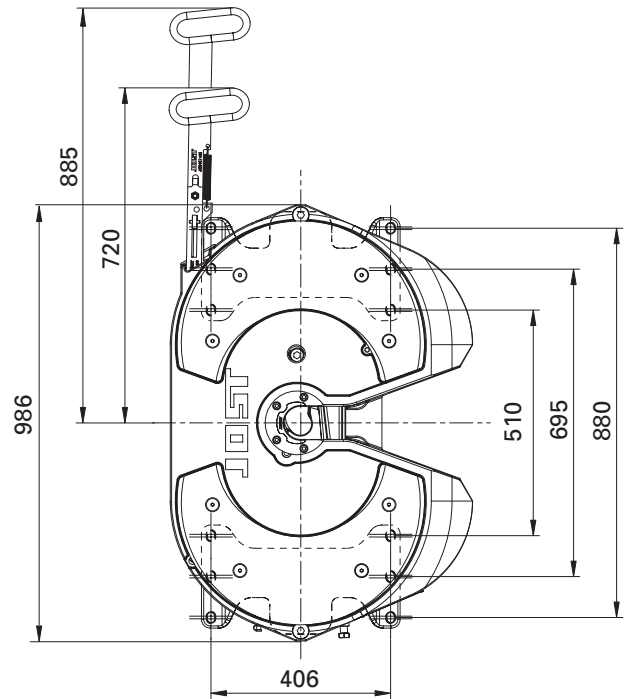
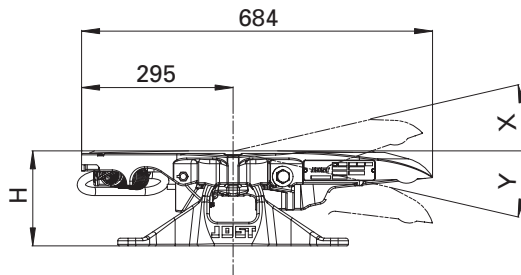
Technical Specification

Slide bearing.

The fifth wheel coupling complies with the following directives / standards:

94/20/EC - Class G50, DIN 74081, ISO 3842.

Suitable for mounting 2" king pins (50) as per 94/20/EC, DIN 74080, ISO 337 and steering wedges as per 94/20/EC, DIN 74085.



Selection table / Versions available

Plate mounting

Order No.	H (mm)	X	Y	Weight (kg)	WA	ZL
JSK 42 K0 20 34 AA	150	12°	12°	126.0	Z	K
JSK 42 K0 20 35 AA	150	12°	13°	126.0	Z	J
JSK 42 K0 20 38 AA	150	12°	12°	126.0	W	K
JSK 42 K0 20 39 AA	150	12°	12°	126.0	W	J
JSK 42 K0 38 34 AA	185	15°	15°	124.0	Z	K
JSK 42 K0 38 35 AA	185	15°	15°	124.0	Z	J
JSK 42 K0 38 38 AA	185	15°	15°	124.0	W	K
JSK 42 K0 38 39 AA	185	15°	15°	124.0	W	J

Order No.	H (mm)	X	Y	Weight (kg)	WA	ZL
JSK 42 K0 57 34 AA	225	15°	15°	129.0	Z	K
JSK 42 K0 57 35 AA	225	15°	15°	129.0	Z	J
JSK 42 K0 57 38 AA	225	15°	15°	129.0	W	K
JSK 42 K0 57 39 AA	225	15°	15°	129.0	W	J
JSK 42 K0 70 34 AA	250	15°	15°	134.0	Z	K
JSK 42 K0 70 35 AA	250	15°	15°	134.0	Z	J
JSK 42 K0 70 38 AA	250	15°	15°	134.0	W	K
JSK 42 K0 70 39 AA	250	15°	15°	134.0	W	J

Explanations:

WA / Maintenance

Z = Prepared for central lubrication

W = Low-maintenance version

ZL / Handle length

J = Long handle

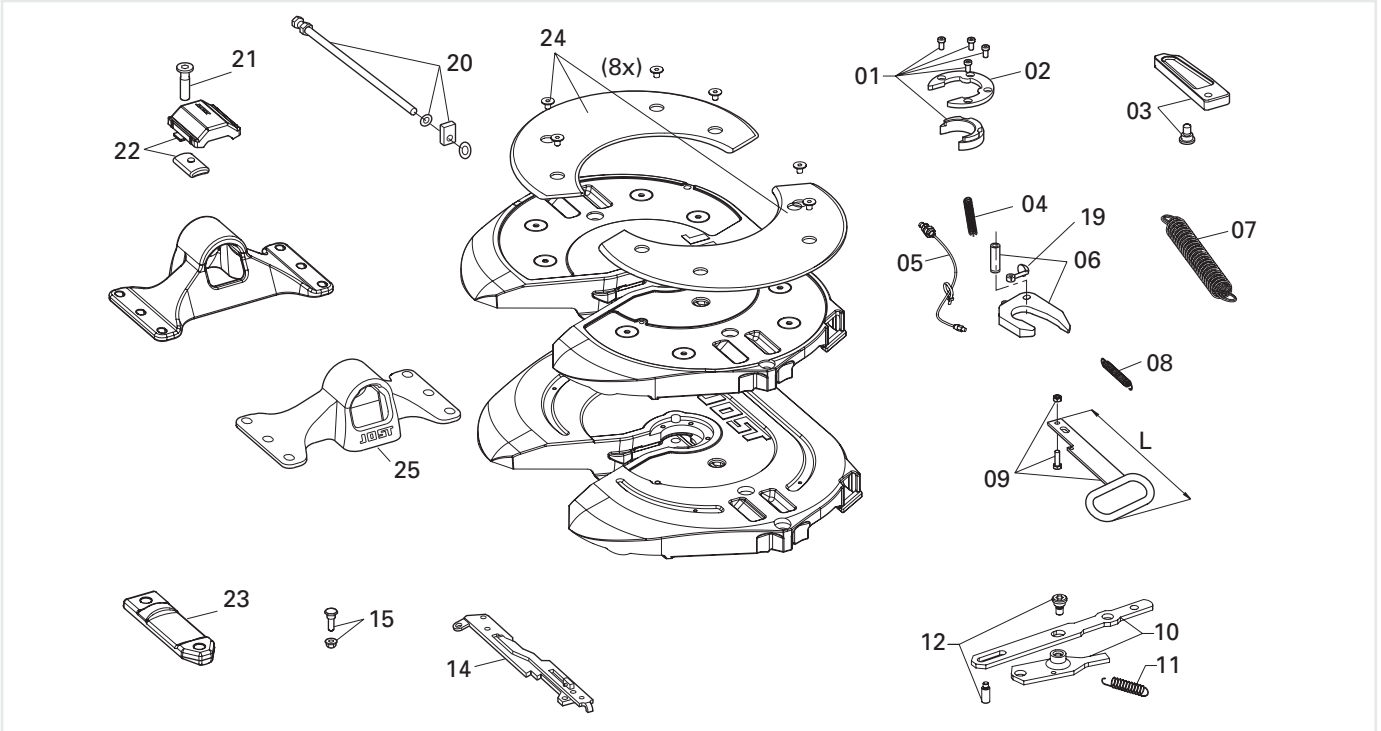
K = Short handle

Technical Data

D value (kN)	Imposed load U (t)	Approval (EC)
152.0	20	e1 00-1245

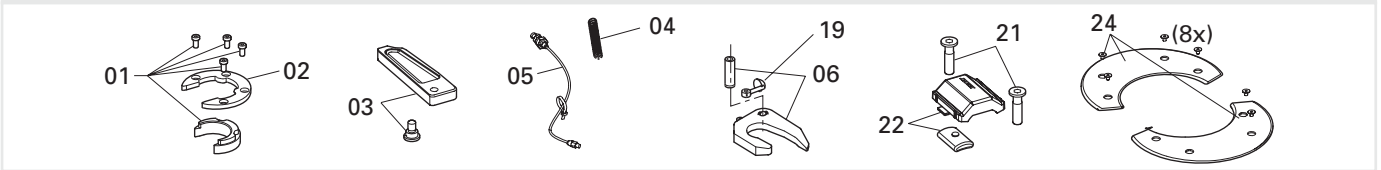
JSK 42 - Plate mounting

Spare parts



Item	Description	Remark	Order No.	per JSK	Item	Description	Remark	Order No.	per JSK
01	Wearing part + mount. bolts		SKE 001740020	1	14	Lever	with 15	SKE 001620020	1
02	Mounting ring	with 01	SK 3105-94	1	15	Lever bolt		SKE 001650020	1
03	Locking bolt + mount. bolt		SKE 001009720	1	19	Eye bolt	compl.	SK 2122-04	1
04	Tension spring		SK 847	1	20	Adjusting screw with guide		SKE 500740220	1
05	Lubrication tube	with cable tie	SK 3108-02	1	21	Bolt		SKE 001011400	4
06	Lock jaw	with 04 + 05	SK 3221-52 Z	1	22	Collar	with 21	SKE 001370020	2
07	Double tension spring		SK 3105-20	1	23	Bridge	with 21	SKE 001530220	2
08	Locking spring		SKE 001440000	1	24	Skid plate with bolts		SKE 001007020	1
09	Short handle	with 08, L = 220	SKE 001390020	1	25	Pedestal H 150	with 21	SKE 001005620	2
09	Long handle	with 08, L = 390	SKE 001390120	1	25	Pedestal H 185	with 21	SKE 001005720	2
10	Lever kit	with 11 + 12	SKE 001380020	1	25	Pedestal H 225	with 21	SKE 001005820	2
11	Lever spring		SKE 001009800	1	25	Pedestal H 250	with 21	SKE 001005920	2
12	Lever bolts		SKE 001750020	1					

Repair and retrofit kits



Item	Description	Order No.
01, 02, 03, 04, 05, 06, 19	Lock compl.	SKE 001640020
21, 22	Repair kit for bearing	SKE 001370220
24	Repair kit for skid plate	SKE 001007020

Fifth wheel couplings

Chassis mounting

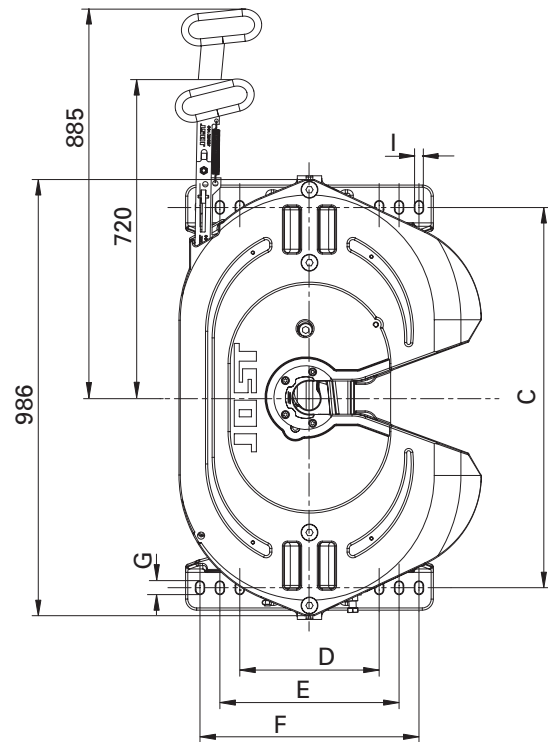
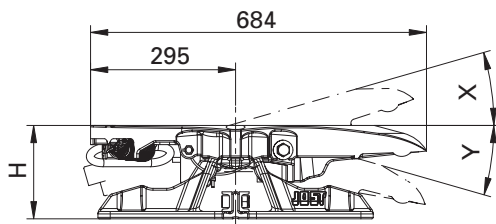
JSK 42 K2 - K6

Technical Specification

Slide bearing.

The fifth wheel coupling complies with the following directives / standards: 94/20/EC - Class G50, for assembly on the mounting angles of tractors without assembly plates.

Suitable for mounting 2" king pins (50) as per 94/20/EC, DIN 74080, ISO 337 and steering wedges as per 94/20/EC, DIN 74085.



Selection table / Versions available

Chassis mounting

Order No.	LB	H (mm)	X	Y	Weight (kg)	WA	ZL
JSK 42 K2 20 34 AA	K2	150	13°	13°	130.0	Z	K
JSK 42 K2 20 35 AA	K2	150	13°	13°	130.0	Z	J
JSK 42 K2 20 38 AA	K2	150	13°	13°	130.0	W	K
JSK 42 K2 20 39 AA	K2	150	13°	13°	130.0	W	J
JSK 42 K2 40 34 AA	K2	190	15°	15°	136.0	Z	K
JSK 42 K2 40 35 AA	K2	190	15°	15°	136.0	Z	J
JSK 42 K2 40 38 AA	K2	190	15°	15°	136.0	W	K
JSK 42 K2 40 39 AA	K2	190	15°	15°	136.0	W	J
JSK 42 K2 57 34 AA	K2	225	15°	15°	138.0	Z	K
JSK 42 K2 57 35 AA	K2	225	15°	15°	138.0	Z	J
JSK 42 K2 57 38 AA	K2	225	15°	15°	138.0	W	K
JSK 42 K2 57 39 AA	K2	225	15°	15°	138.0	W	J
JSK 42 K3 20 34 AA	K3	150	13°	13°	128.0	Z	K
JSK 42 K3 20 35 AA	K3	150	13°	13°	128.0	Z	J
JSK 42 K3 20 38 AA	K3	150	13°	13°	128.0	W	K
JSK 42 K3 20 39 AA	K3	150	13°	13°	128.0	W	J
JSK 42 K3 40 34 AA	K3	190	15°	15°	132.0	Z	K
JSK 42 K3 40 35 AA	K3	190	15°	15°	132.0	Z	J
JSK 42 K3 40 38 AA	K3	190	15°	15°	132.0	W	K
JSK 42 K3 40 39 AA	K3	190	15°	15°	132.0	W	J

Explanations:

WA / Maintenance

Z = Prepared for central lubrication

W = Low-maintenance version

ZL / Handle length

J = Long handle

K = Short handle

Order No.	LB	H (mm)	X	Y	Weight (kg)	WA	ZL
JSK 42 K3 57 34 AA	K3	225	15°	15°	134.0	Z	K
JSK 42 K3 57 35 AA	K3	225	15°	15°	134.0	Z	J
JSK 42 K3 57 38 AA	K3	225	15°	15°	134.0	W	K
JSK 42 K3 57 39 AA	K3	225	15°	15°	134.0	W	J
JSK 42 K4 20 34 AA	K4	150	13°	13°	130.0	Z	K
JSK 42 K4 20 35 AA	K4	150	13°	13°	130.0	Z	J
JSK 42 K4 20 38 AA	K4	150	13°	13°	130.0	W	K
JSK 42 K4 20 39 AA	K4	150	13°	13°	130.0	W	J
JSK 42 K6 20 34 AA	K6	150	13°	13°	128.0	Z	K
JSK 42 K6 20 35 AA	K6	150	13°	13°	128.0	Z	J
JSK 42 K6 20 38 AA	K6	150	13°	13°	128.0	W	K
JSK 42 K6 20 39 AA	K6	150	13°	13°	128.0	W	J
JSK 42 K6 40 34 AA	K6	190	15°	15°	132.0	Z	K
JSK 42 K6 40 35 AA	K6	190	15°	15°	132.0	Z	J
JSK 42 K6 40 38 AA	K6	190	15°	15°	132.0	W	K
JSK 42 K6 40 39 AA	K6	190	15°	15°	132.0	W	J
JSK 42 K6 57 34 AA	K6	225	15°	15°	134.0	Z	K
JSK 42 K6 57 35 AA	K6	225	15°	15°	134.0	Z	J
JSK 42 K6 57 38 AA	K6	225	15°	15°	134.0	W	K
JSK 42 K6 57 39 AA	K6	225	15°	15°	134.0	W	J

Oval hole

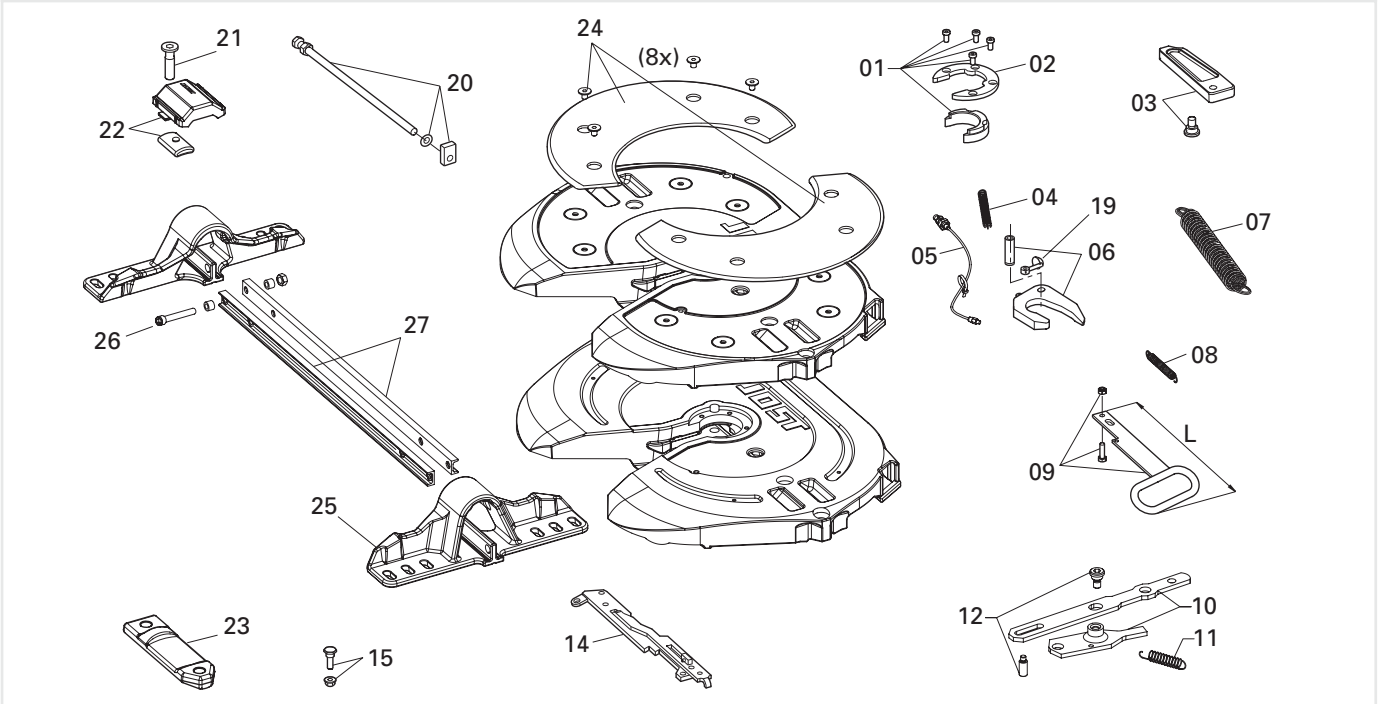
LB	Tractor	C	D	E	F	G	I
K2	MAN	880	304.5	406	507.5	42	18.0
K3	Daimler	860	300.0	-	500.0	40	22.0
K4	DAF	880	300.0	400	500.0	40	18.0
K6	Iveco	859	315.0	405	495.0	28	18.0

Technical Data

D value (kN)	Imposed load U (t)	Approval (EC)
152.0	20	e1 00-1245

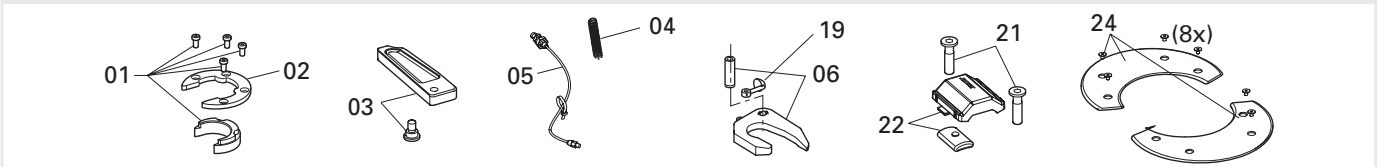
JSK 42 K2 - K6 Chassis mounting

Spare parts



Item	Description	Remark	Order No.	per JSK	Item	Description	Remark	Order No.	per JSK
01	Wearing part + mount. bolts		SKE 001740020	1	22	Collar	with 21	SKE 001370020	2
02	Mounting ring	with 01	SK 3105-94	1	23	Bridge	with 21	SKE 001530220	2
03	Locking bolt + mount. bolt		SKE 001009720	1	24	Skid plate with bolts		SKE 001007020	1
04	Tension spring		SK 847	1	25	Pedestal H 150 LB K2	with 21	SKE 001500020	2
05	Lubrication tube	with cable tie	SK 3108-02	1	25	Pedestal H 150 LB K3	with 21	SKE 001500120	2
06	Lock jaw	with 04 + 05	SK 3221-52 Z	1	25	Pedestal H 150 LB K4	with 21	SKE 001500220	2
07	Double tension spring		SK 3105-20	1	25	Pedestal H 150 LB K6	with 21	SKE 001500320	2
08	Locking spring		SKE 001440000	1	25	Pedestal H 190 LB K2	with 21	SKE 001510020	2
09	Short handle	with 08, L = 220	SKE 001390020	1	25	Pedestal H 190 LB K3	with 21	SKE 001510120	2
09	Long handle	with 08, L = 390	SKE 001390120	1	25	Pedestal H 190 LB K6	with 21	SKE 001510320	2
10	Lever kit	with 11 + 12	SKE 001380020	1	25	Pedestal H 225 LB K2	with 21	SKE 001520020	2
11	Lever spring		SKE 001009800	1	25	Pedestal H 225 LB K3	with 21	SKE 001520120	2
12	Lever bolts		SKE 001750020	1	25	Pedestal H 225 LB K6	with 21	SKE 001520320	2
14	Lever	with 15	SKE 001620020	1	26	Set of traverse screws		SKE 002770020	1
15	Lever bolt		SKE 001650020	1	27	Traverses LB K2/K4 H150	with 26	SKE 001570020	1
19	Eye bolt	compl.	SK 2122-04	1	27	Traverses LB K2 H190/225	with 26	SKE 001590020	1
20	Adjusting screw with guide		SKE 500740220	1	27	Traverses LB K3/K6	with 26	SKE 001010120	1
21	Bolt		SKE 001011400	4					

Repair and retrofit kits

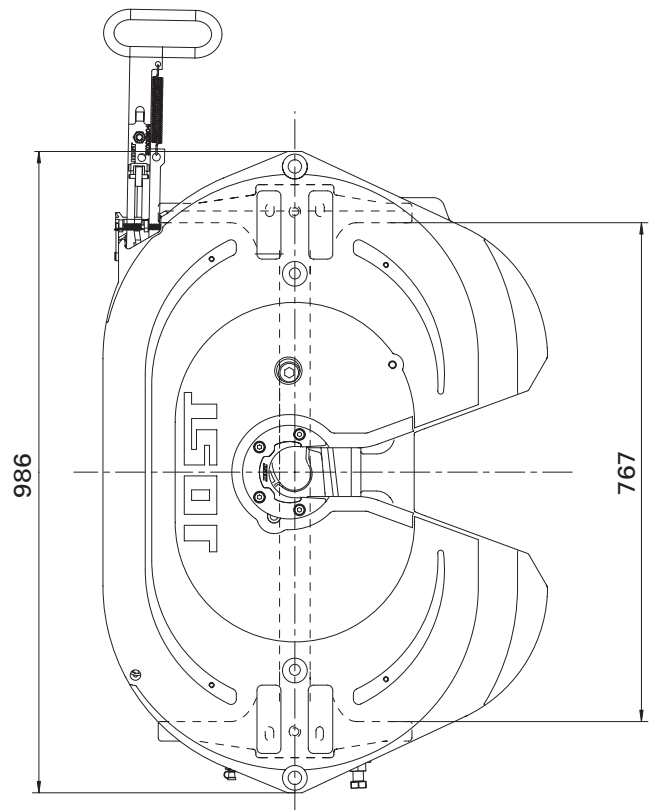
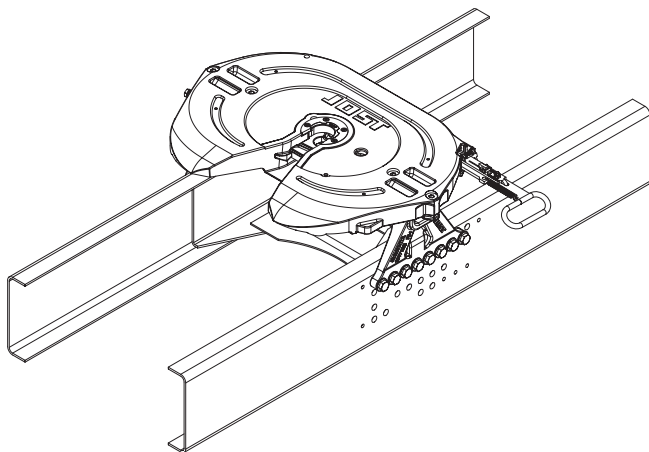
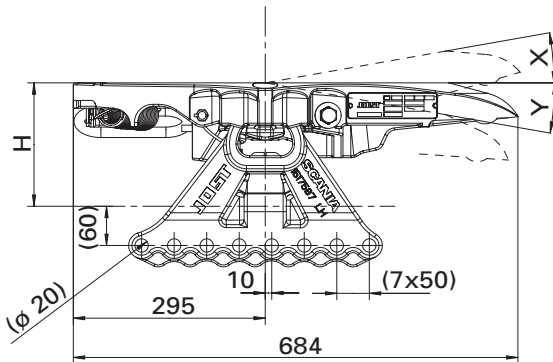


Item	Description	Order No.
01, 02, 03, 04, 05, 06, 19	Lock compl.	SKE 001640020
21, 22	Repair kit for bearing	SKE 001370220
24	Repair kit for skid plate	SKE 001007020

Fifth wheel couplings Chassis mounting JSK 42 K7 (Scania)

Technical Specification

Fifth wheel coupling with lubricated bearings for assembly on the main frame of Scania tractors. Please observe the mounting guidelines from the vehicle manufacturer. Suitable for mounting 2" king pins (50) as per 94/20/EC, DIN 74080, ISO 337 and steering wedges as per 94/20/EC, DIN 74085.



Selection table / Versions available

Chassis mounting

Order No.	LB	H (mm)	X	Y	Weight (kg)	WA
JSK 42 K74034AA	K7	190	15°	15°	133.0	Z
JSK 42 K74038AA	K7	190	15°	15°	133.0	W
JSK 42 K75734AA	K7	225	15°	15°	136.0	Z
JSK 42 K75738AA	K7	225	15°	15°	136.0	W

Explanations:

WA / Maintenance

Z = Prepared for central lubrication

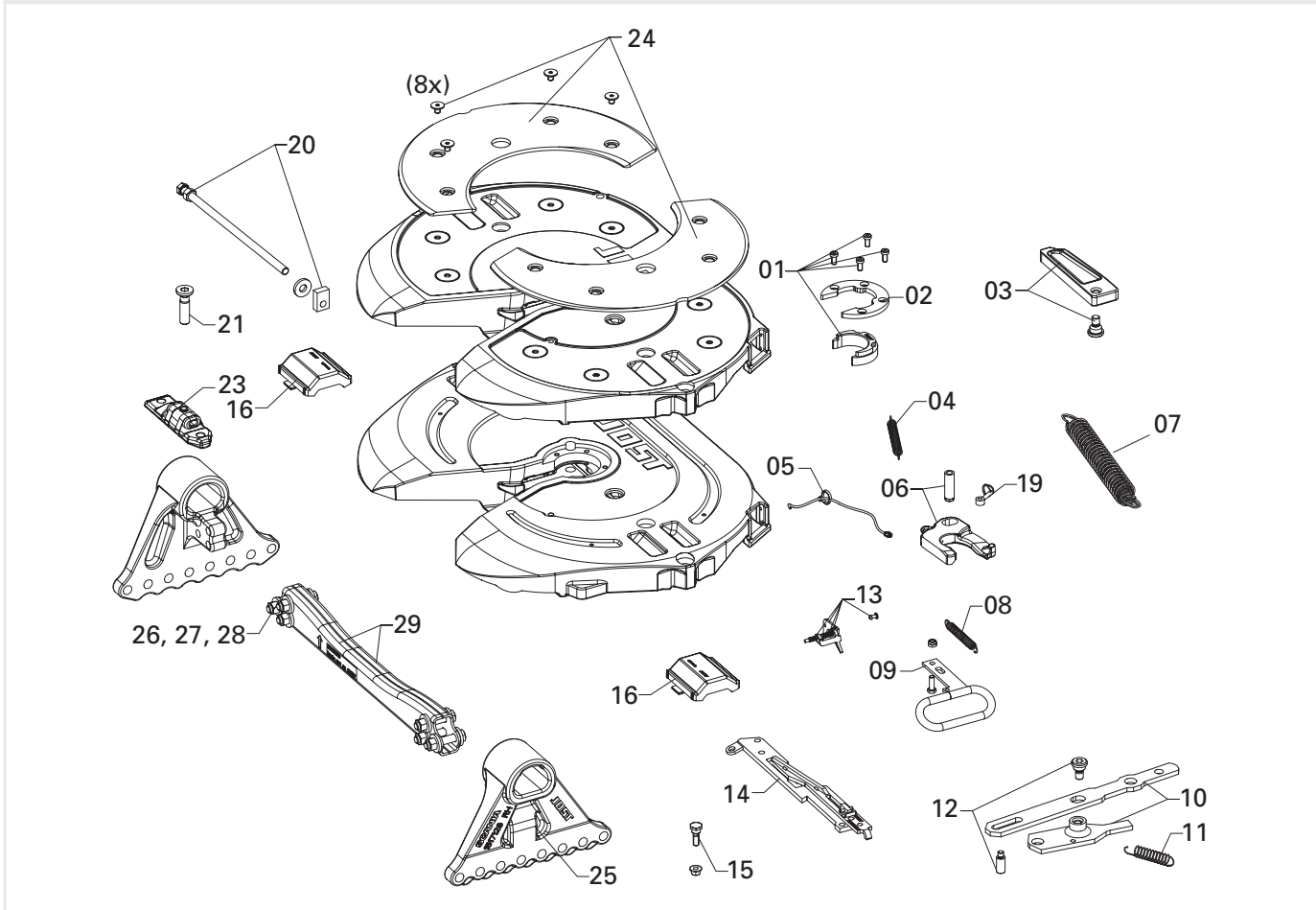
W = Low-maintenance version

Technical Data

D value (kN)	Imposed load U (t)	Approval (EC)
152.0	20	e1 00-1245

JSK 42 K7 (Scania) - Chassis mounting

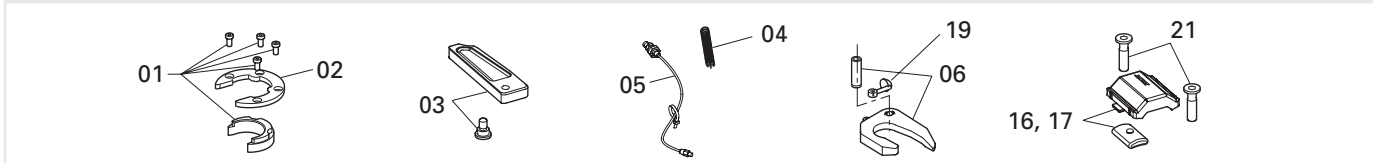
Spare parts



Item	Description	Remark	Order No.	per JSK	Item	Description	Remark	Order No.	per JSK
01	Wearing part + mount. bolts		SKE 001740020	1	16	Collars left and right			
02	Mounting ring	with 01	SK 3105-94	1		with rubber cushion	compl. with 21	SKE 001940001	1
03	Locking bolt + mount. bolt		SKE 001009720	1	19	Eye bolt	compl.	SK 2122-04	1
04	Tension spring		SK 847	1	20	Adjusting screw with guide		SKE 500740220	1
05	Lubrication tube	with cable tie	SK 3108-02	1	21	Bolt		SKE 001011400	4
06	Lock jaw	with 04 + 05	SK 3221-52 Z	1	23	Bridge set	with 21	SKE 002420120	1
07	Double tension spring		SK 3105-20	1	24	Skid plate with bolts	compl.	SKE 002750020	1
08	Locking spring		SKE 001440000	1	25	Pedestal H 190 l. K7	compl. with 21	SKE 001870000	1
09	Short handle Scania	with 08	SKE 001390220	1	25	Pedestal H 190 r. K7	compl. with 21	SKE 001880000	1
10	Lever kit	with 11 + 12	SKE 001380020	1	25	Pedestal H 225 l. K7	compl. with 21	SKE 001840000	1
11	Lever spring		SKE 001009800	1	25	Pedestal H 225 r. K7	compl. with 21	SKE 001850000	1
12	Lever bolts		SKE 001750020	1	26	Hexagon bolt*	ISO 4017-M16x80-10.9	Scania 1523992	-
13	Latch	with 2 blind rivets	SKE 003080020	1	27	Hexagon nut*	ISO 4032-M16-10	Scania 1387576	-
14	Lever for JSK 42 K7	with 15	SKE 001620120	1	28	Washer*	ISO 7089-16-300 HV	Scania 807329	-
15	Lever bolt		SKE 001650020	1	29	Traverse set K7		SKE 001860001	1

* purchase from Scania

Repair and retrofit kits



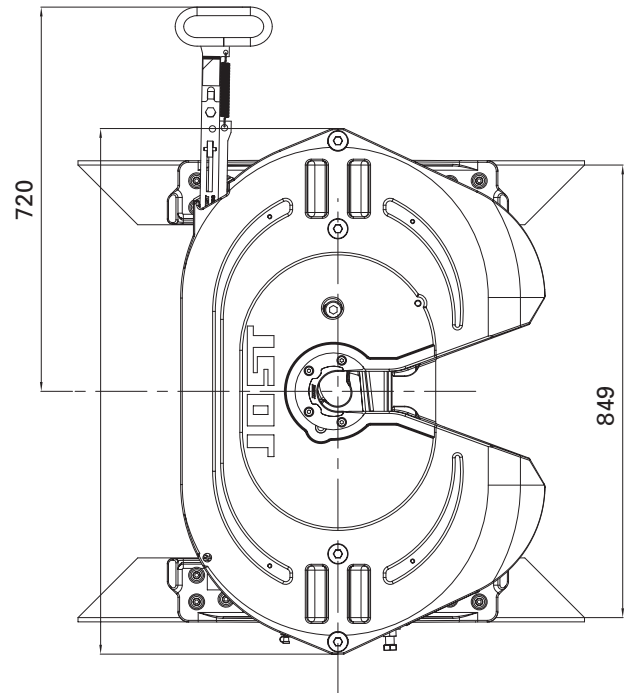
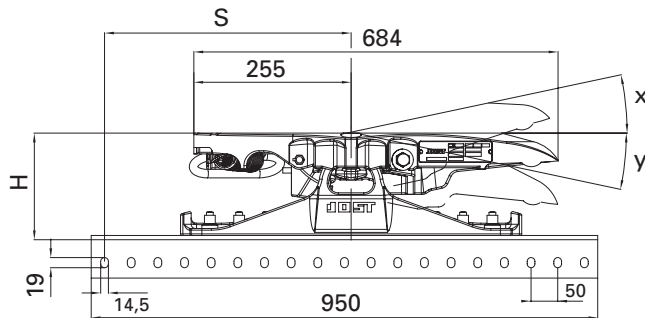
Item	Description	Order No.
01, 02, 03, 04, 05, 06, 19	Lock compl.	SKE 001640020
16, 17, 21	Collar with rubber cushion	SKE 001940001

Fifth wheel couplings Chassis mounting JSK 42 K8 (Volvo)

Technical Specification

Fifth wheel coupling with lubricated bearings for assembly on the main frame of Volvo tractors. Please observe the mounting guidelines from the vehicle manufacturer.

Suitable for mounting 2" king pins (50) as per 94/20/EC, DIN 74080, ISO 337 and steering wedges as per 94/20/EC, DIN 74085.



Selection table / Versions available

Chassis mounting

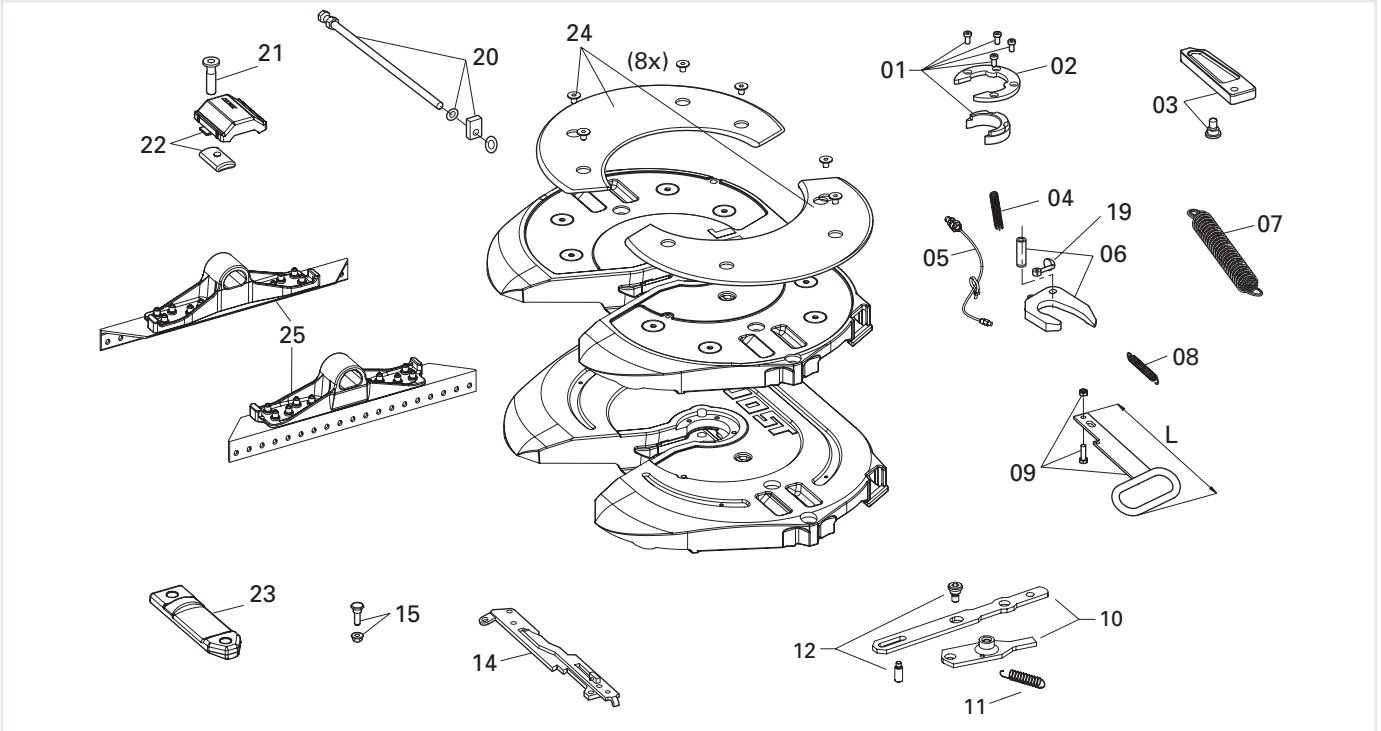
Order No.	LB	H (mm)	S (mm)	X	Y	Weight (kg)	Oval hole versions
JSK 42 K82189AA	K8	160	437.5	8°	11°	146.0	F
JSK 42 K82188AA	K8	160	462.5	8°	11°	146.0	E
JSK 42 K84489AA	K8	200	437.5	17°	16°	153.0	F
JSK 42 K84488AA	K8	200	462.5	17°	16°	153.0	E
JSK 42 K85889AA	K8	230	437.5	24°	23°	158.0	F
JSK 42 K85888AA	K8	230	462.5	24°	23°	158.0	E

Technical Data

D value (kN)	Imposed load U (t)	Approval (EC)
152.0	20	e1 00-1245

JSK 42 K8 (Volvo) - Chassis mounting

Spare parts

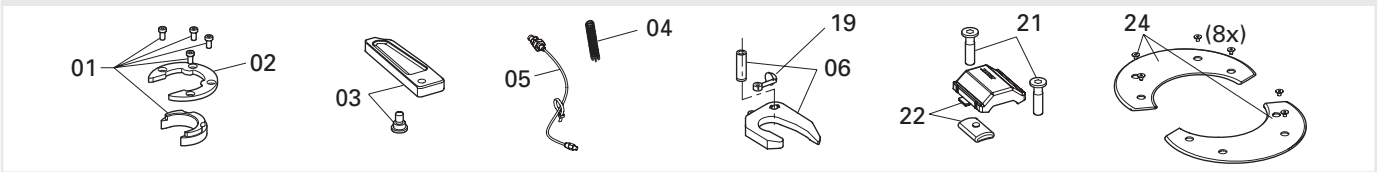


Item	Description	Remark	Order No.	per JSK	Item	Description	Remark	Order No.	per JSK
01	Wearing part + mount. bolts		SKE 001740020	1	12	Lever bolts		SKE 001750020	1
02	Mounting ring	with 01	SK 3105-94	1	14	Lever	with 15	SKE 001620020	1
03	Locking bolt + mount. bolt		SKE 001009720	1	15	Lever bolt		SKE 001650020	1
04	Tension spring		SK 847	1	19	Eye bolt	compl.	SK 2122-04	1
05	Lubrication tube	with cable tie	SK 3108-02	1	20	Adjusting screw with guide		SKE 500740220	1
06	Lock jaw	with 04 + 05	SK 3221-52 Z	1	21	Bolt		SKE 001011400	4
07	Double tension spring		SK 3105-20	1	22	Collars with rubber cushion**	with 21	SKE 001940001	1
08	Locking spring		SKE 001440000	1	23	Bridge	with 21	SKE 001530220	2
09	Short handle	with 08, L = 220	SKE 001390300	1	24	Skid plate with bolts		SKE 001007020	1
09	Long handle	with 08, L = 390	SKE 001390400	1	25	Pedestal H 160*	with 21	SKE 004240101	1
10	Lever kit	with 11 + 12	SKE 001380020	1	25	Pedestal H 200*	with 21	SKE 004240301	1
11	Lever spring		SKE 001009800	1	25	Pedestal H 230*	with 21	SKE 004240501	1

* consists of a right and left pedestal and four bridge bolt

** consists of a right (open) and a left (closed) collar, two rubber cushions and four bridge bolts

Repair and retrofit kits



Item	Description	Order No.
01, 02, 03, 04, 05, 06, 19	Lock compl.	SKE 001640020
21, 22**	Repair kit for bearing	SKE 001940001
24	Repair kit for skid plate	SKE 001007020

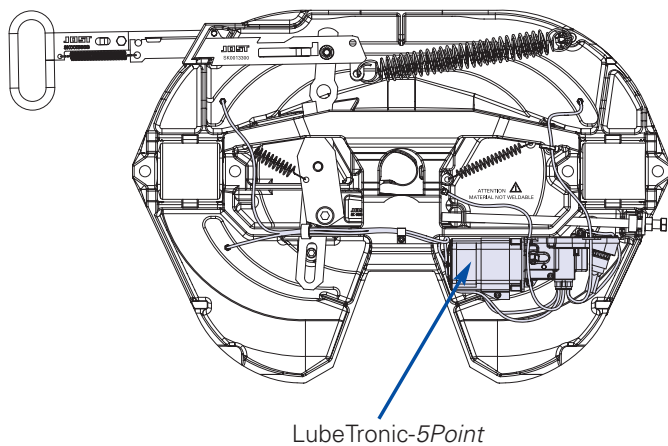
Fifth wheel couplings JSK 42 with integrated LubeTronic-5Point

Technical Specification

The fifth wheel coupling meets the following directives/standards: 94/20EC - Class G50, DIN 74081, ISO 3842, 72/245/EEC in the version of 2006/28/EC

The scope of delivery includes the fifth wheel coupling plate with LubeTronic as well as a connection cable: SKE005680000/length 9.5m

For further information about fifth wheel couplings, see pages 55-58.



LubeTronic-5Point

- LubeTronic-5Point is a central lubrication system for fifth wheel couplings
- The constantly emitted grease provides reliable lubrication for the fifth wheel coupling plate and the lock jaw.
- The lubricant dispersion can be set to two different levels:
 - a) for operation requiring a low lubricant use (e.g. occasional coupling, long distance traffic)
 - b) for operation requiring a high lubricant use (e.g. frequent coupling, construction site)
- environmentally friendly and low-consumption due to electronic dosing
- The emitted volume of lubricant is dosed electronically. In case additional lubricant is required, lubricant dispersion can be initiated manually.
- Sufficient lubricant for about 1 year
- Electronic fill level control with an LED display
- Refillable using lubricating nipples

Only JOST lubricant refill should be used to ensure safe operation in all operating conditions!

Selection table / Versions available

Order No.	Imposed load U (t)	D value (kN)	Weight (kg)	Mounting height (mm)	Customer hole pattern	Approval (EC)	ZL	Further information, see pages
JSK 42 K0 20 J5 AA	20	152	130	150	DIN	e1 00-1245	K	55/56
JSK 42 K0 20 F9 AA	20	152	130	150	DIN	e1 00-1245	J	55/56
JSK 42 K0 38 J5 AA	20	152	128	185	DIN	e1 00-1245	K	55/56
JSK 42 K0 38 F9 AA	20	152	128	185	DIN	e1 00-1245	J	55/56
JSK 42 K0 57 J5 AA	20	152	133	225	DIN	e1 00-1245	K	55/56
JSK 42 K0 57 F9 AA	20	152	133	225	DIN	e1 00-1245	J	55/56
JSK 42 K0 70 J5 AA	20	152	138	250	DIN	e1 00-1245	K	55/56
JSK 42 K0 70 F9 AA	20	152	138	250	DIN	e1 00-1245	J	55/56
JSK 42 K2 20 J5 AA	20	152	136	150	MAN	e1 00-1245	K	57/58
JSK 42 K2 20 F9 AA	20	152	136	150	MAN	e1 00-1245	J	57/58
JSK 42 K2 40 J5 AA	20	152	142	190	MAN	e1 00-1245	K	57/58
JSK 42 K2 40 F9 AA	20	152	142	190	MAN	e1 00-1245	J	57/58
JSK 42 K2 57 J5 AA	20	152	144	225	MAN	e1 00-1245	K	57/58
JSK 42 K2 57 F9 AA	20	152	144	225	MAN	e1 00-1245	J	57/58
JSK 42 K3 20 J5 AA	20	152	133	150	Daimler	e1 00-1245	K	57/58
JSK 42 K3 20 F9 AA	20	152	133	150	Daimler	e1 00-1245	J	57/58
JSK 42 K3 40 J5 AA	20	152	138	190	Daimler	e1 00-1245	K	57/58
JSK 42 K3 40 F9 AA	20	152	138	190	Daimler	e1 00-1245	J	57/58
JSK 42 K3 57 J5 AA	20	152	140	225	Daimler	e1 00-1245	K	57/58
JSK 42 K3 57 F9 AA	20	152	140	225	Daimler	e1 00-1245	J	57/58
JSK 42 K4 20 J5 AA	20	152	137	150	DAF	e1 00-1245	K	57/58
JSK 42 K4 20 F9 AA	20	152	137	150	DAF	e1 00-1245	J	57/58
JSK 42 K6 20 J5 AA	20	152	133	150	Iveco	e1 00-1245	K	57/58
JSK 42 K6 20 F9 AA	20	152	133	150	Iveco	e1 00-1245	J	57/58
JSK 42 K6 40 J5 AA	20	152	138	190	Iveco	e1 00-1245	K	57/58
JSK 42 K6 40 F9 AA	20	152	138	190	Iveco	e1 00-1245	J	57/58
JSK 42 K6 57 J5 AA	20	152	140	225	Iveco	e1 00-1245	K	57/58
JSK 42 K6 57 F9 AA	20	152	140	225	Iveco	e1 00-1245	J	57/58

Explanations:

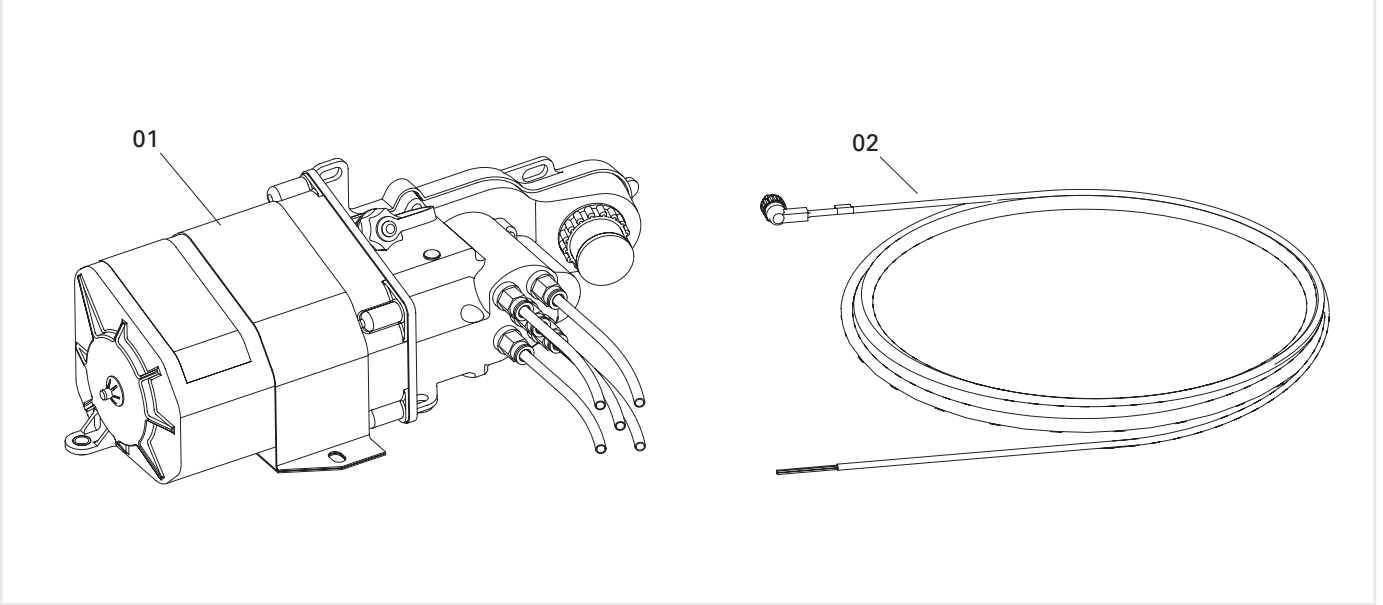
ZL / Handle length

J = Long handle

K = Short handle

JSK 42 with integrated LubeTronic-5Point

Spare parts



Item	Description	Remark	Order No.	per JSK
01	LubeTronic-5Point		SKE 004080000	1
02	Connection cable	Length 9.5 m	SKE 005680000	1
03	Lubricant refill		SKE 005670000	1

Fifth wheel couplings JSK 42 MK 162

lightweight

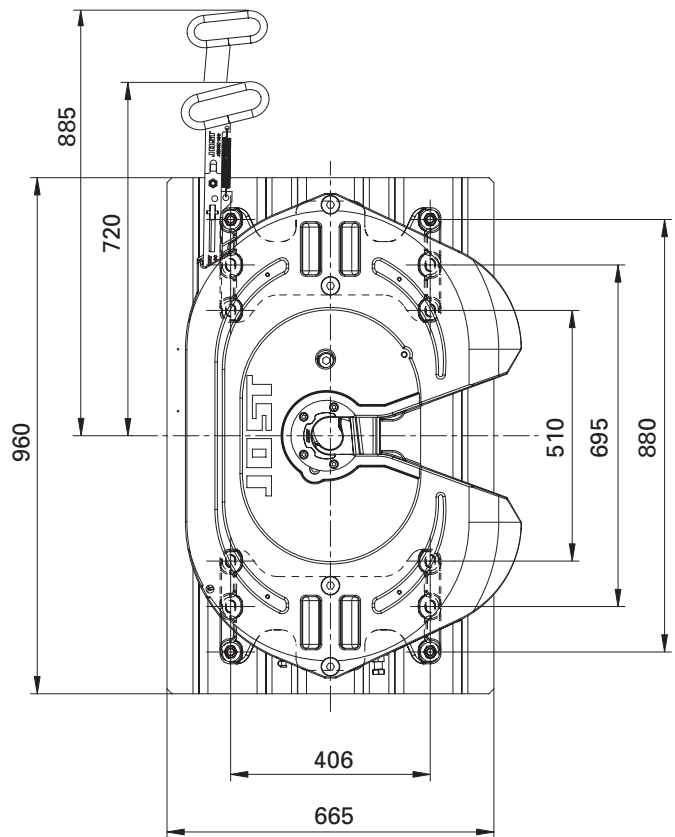
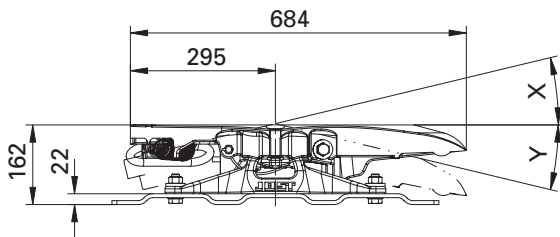
Technical Specification

Fifth wheel coupling with integrated mounting plate.

The fifth wheel coupling complies with the following directives / standards:

94/20/EC - Class G50, DIN 74081, ISO 3842.

Suitable for mounting 2" king pins (50) as per 94/20/EC, DIN 74080, ISO 337 and steering wedges as per 94/20/EC, DIN 74085.



Selection table / Versions available

Order No.	H (mm)	X	Y	Imposed load U (t)	D value (kN)	Approval (EC) Fifth wheel Coupling	Weight (kg)	WA	ZL
JSK42MK2658AA	162	12°	12°	20	152.0	e1 00-1245	173.0	Z	K
JSK42MK2659AA	162	12°	12°	20	152.0	e1 00-1245	173.0	Z	J
JSK42MK2660AA	162	12°	12°	20	152.0	e1 00-1245	173.0	W	K
JSK42MK2661AA	162	12°	12°	20	152.0	e1 00-1245	173.0	W	J

Explanations:

WA / Maintenance

Z = Prepared for central lubrication

W = Low-maintenance version

ZL / Handle length

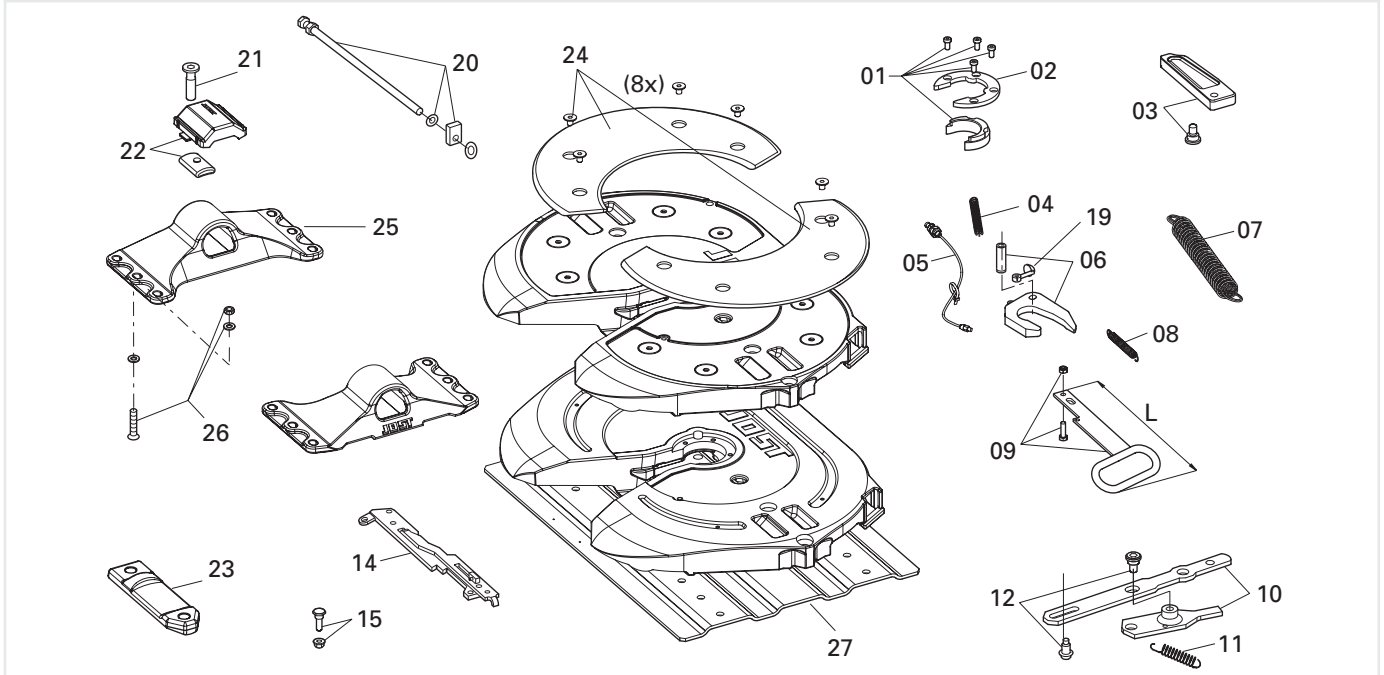
J = Long handle

K = Short handle

Approval EC of mounting plate e1 00-0368

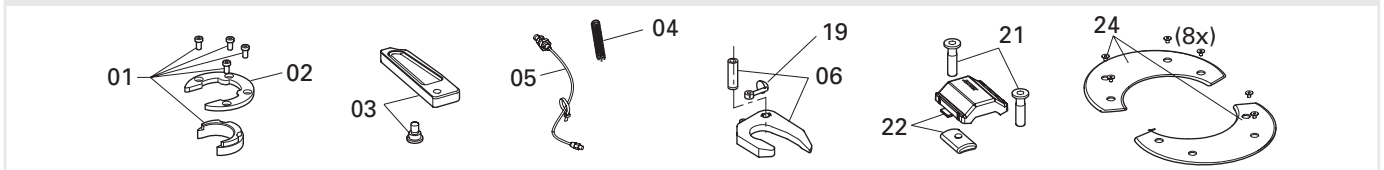
JSK 42 MK 162

Spare parts



Item	Description	Remark	Order No.	per JSK	Item	Description	Remark	Order No.	per JSK
01	Wearing part + mount. bolts		SKE 001740020	1	12	Lever bolts		SKE 001750020	1
02	Mounting ring	with 01	SK 3105-94	1	14	Lever	with 15	SKE 001620020	1
03	Locking bolt + mount. bolt		SKE 001009720	1	15	Lever bolt		SKE 001650020	1
04	Tension spring		SK 847	1	19	Eye bolt	compl.	SK 2122-04	1
05	Lubrication tube	with cable tie	SK 3108-02	1	20	Adjusting screw with guide		SKE 500740220	1
06	Lock jaw	with 04 + 05	SK 3221-52 Z	1	21	Bolt		SKE 001011400	4
07	Double tension spring		SK 3105-20	1	22	Collar	with 21	SKE 001370020	2
08	Locking spring		SKE 001440000	1	23	Bridge	with 21	SKE 001530220	2
09	Short handle	with 08, L = 220	SKE 001390020	1	24	Skid plate with bolts	compl.	SKE 001007020	1
09	Long handle	with 08, L = 390	SKE 001390120	1	25	Pedestal H 140	with 21	SKE 001820020	2
10	Lever kit	with 11 + 12	SKE 001380020	1	26	Bolt kit		SK 3110-009	1
11	Lever spring		SKE 001009800	1	27	Mounting plate		MP 2102	1

Repair and retrofit kits



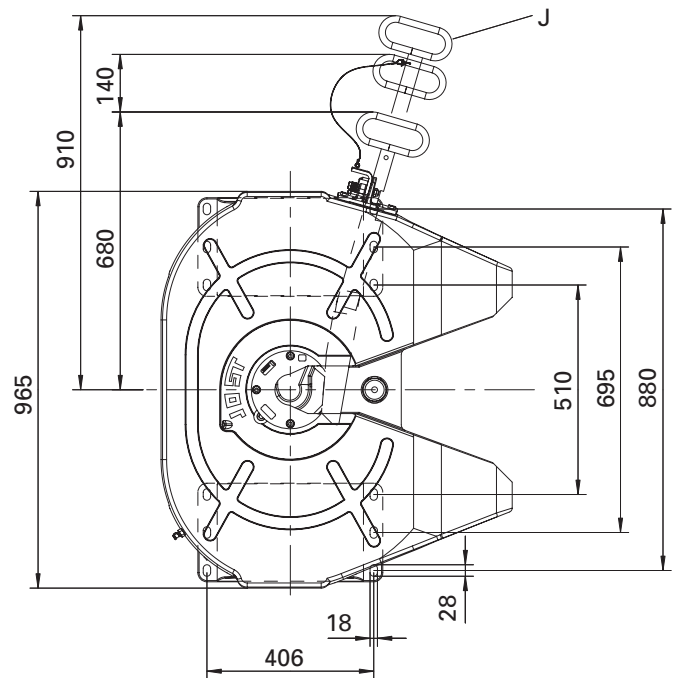
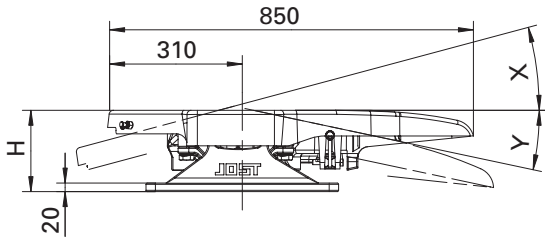
Item	Description	Order No.
01, 02, 03, 04, 05, 06, 19	Lock compl.	SKE 001640020
21, 22	Repair kit for bearing	SKE 001370220
24	Repair kit for skid plate	SKE 001007020

Heavy duty fifth wheel couplings JSK 38 C1

Technical Specification

Rubber bearing, hole pattern as per ISO 3842.

JOST heavy duty fifth wheel couplings comply with dimensions as per DIN 74081 or DIN 74084, for plate mounting with hole patterns as per DIN 74081, 74084 and ISO 3842. Suitable for 2" king pins (50) as per DIN 74080, ISO 337 or 3 1/2" king pins (90) as per DIN 74083, ISO 4086 and steering wedges as per DIN 74085 or 94/20/EC. Fitted on a mounting plate.



Selection table / Versions available

Order No.	H (mm)	Lock	X	Y	D value (kN)	Imposed load U (t)	Weight (kg)	Approval (EC)	WA	ZL
JSK 38C-1	190	3 1/2"	15°	12°	260.0	36	190.0	e1 00-0471	M	K
JSK 38C-1 Z	190	3 1/2"	15°	12°	260.0	36	190.0	e1 00-0471	Z	K
JSK 38C-1 J	190	3 1/2"	15°	12°	260.0	36	190.0	e1 00-0471	M	J
JSK 38C-1 ZJ	190	3 1/2"	15°	12°	260.0	36	190.0	e1 00-0471	Z	J
JSK 38C07016 AA	250	3 1/2"	15°	15°	260.0	36	205.0	e1 00-0471	M	K
JSK 38C07016 DJ	250	3 1/2"	15°	15°	260.0	36	205.0	e1 00-0471	Z	K
JSK 38C07067 AA	250	3 1/2"	15°	15°	260.0	36	205.0	e1 00-0471	M	J
JSK 38C07067 DJ	250	3 1/2"	15°	15°	260.0	36	205.0	e1 00-0471	Z	J
JSK 38C-1 2"	190	2"	15°	12°	170.0	28	190.0	e1 00-0472	M	K
JSK 38C-1 2" Z	190	2"	15°	12°	170.0	28	190.0	e1 00-0472	Z	K
JSK 38C-1 2" J	190	2"	15°	12°	170.0	28	190.0	e1 00-0472	M	J
JSK 38C-1 2" ZJ	190	2"	15°	12°	170.0	28	190.0	e1 00-0472	Z	J
JSK 38C07017 AA	250	2"	15°	15°	170.0	28	205.0	e1 00-0472	M	K
JSK 38C07017 DJ	250	2"	15°	15°	170.0	28	205.0	e1 00-0472	Z	K
JSK 38C07068 AA	250	2"	15°	15°	170.0	28	205.0	e1 00-0472	M	J
JSK 38C07068 DJ	250	2"	15°	15°	170.0	28	205.0	e1 00-0472	Z	J

Note: JSK 38 C is available in the mounting height 160 mm as a mounting unit including mounting plate (see JSK 38 MC)

Explanations:

WA / Maintenance

Z = Prepared for central lubrication

M = Manual lubrication

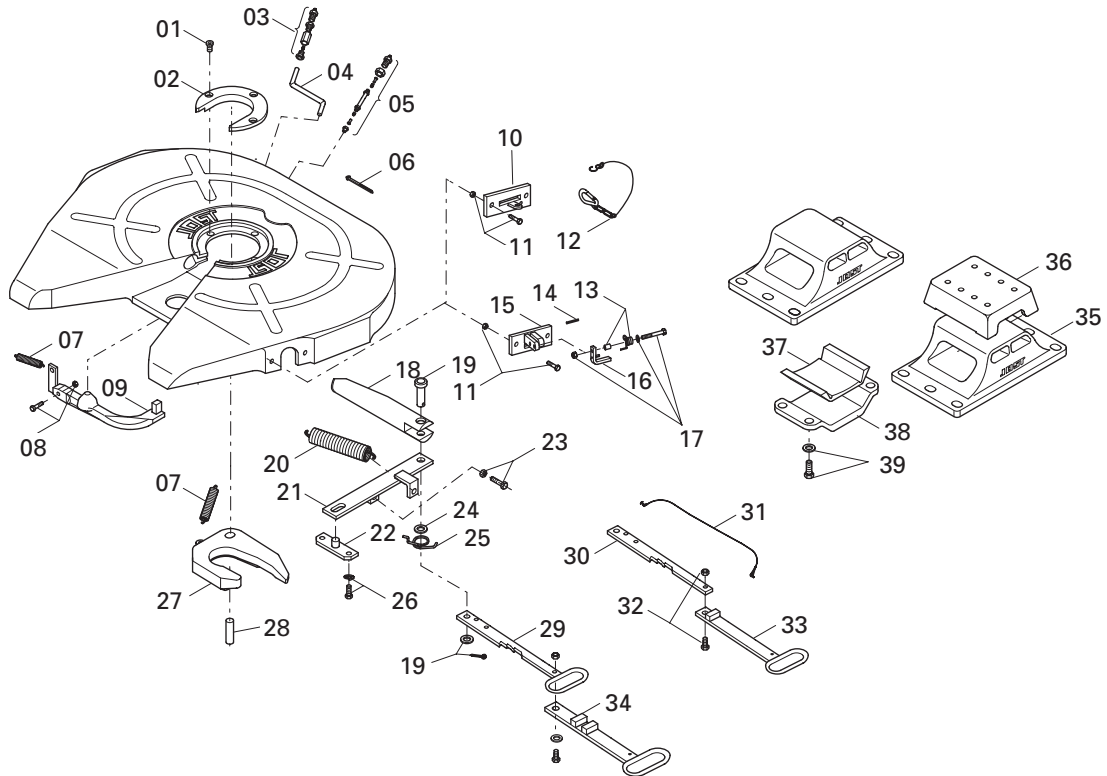
ZL / Handle length

J = Long handle

K = Short handle

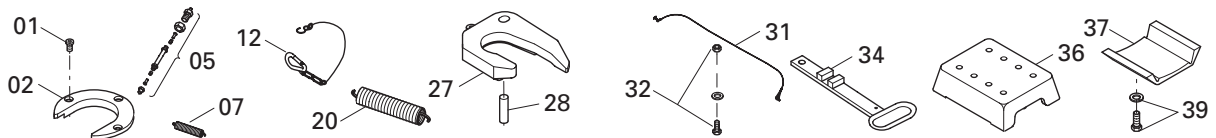
JSK 38 C1 / C1- 2" / ...Z

Spare parts



Item	Description	Remark	Order No.	per JSK	Item	Description	Remark	Order No.	per JSK
01	Socket head bolt		SK 2421-08	3	23	Hexagon bolt	compl.	SK 2421-52	1
02	Wearing ring	3 1/2", compl. with 01	SK 2421-56	1	24	Washer		SK 2405-19	1
02	Wearing ring	2", compl. with 01	SK 2421-57	1	25	Spring noose		SK 2405-09	1
03	Nut and bolt		SK 1976	1	26	Hexagon bolt	compl.	SK 2421-53	2
04	Lubrication tube		SK 2205-12	1	27	Lock jaw	3 1/2"	SK 2405-14	1
05	Lubrication tube	compl. with 06, for type Z	SK 2508-02	1	27	Lock jaw	compl. with 06, 3 1/2"	SK 2405-14 Z	1
06	Cable tie		SK 3121-13	1	27	Lock jaw	2"	SK 2405-13	1
07	Tension spring		SK 2106-01	2	27	Lock jaw	compl. with 06, 2"	SK 2405-13 Z	1
08	Hexagon bolt	compl.	SK 2421-51	1	28	Bolt		SK 2405-18	1
09	Latch		SK 2405-27	1	29	Handle	standard version	SK 2405-066	1
10	Guide plate	to xx63xxxxxx	SK 2405-22	1	30	Locking bar	f. type J, from xx63xxxxxx	SK 2405-067	1
11	Hexagon bolt	compl.	SK 2421-50	2	31	Latch cord	compl. from xx63xxxxxx	SK 3521-02	1
12	Spring hook	compl. to xx60xxxxxx	SK 1436	1	32	Hexagon bolt	compl. for type J,		
13	Spring noose	compl. from xx63xxxxxx	SK 2921-30	1			from xx63xxxxxx	SK 2421-50	1
14	Clamping pin		000.003.027	1	33	Handle	f. type J, from xx63xxxxxx	SK 3105-113	1
15	Latch holder	compl. with 14,			35	Pedestal BH 190		SK 2404-01	2
		from xx63xxxxxx	SK 2405-084	1	35	Pedestal BH 250		SK 2404-04	2
16	Latch	compl. from xx63xxxxxx	SK 3121-52	1	36	Rubber cushion, upper		SK 2006	2
17	Hexagon bolt	compl. from xx63xxxxxx	SK 3521-03	1	37	Rubber cushion, lower		SK 2007	2
18	Locking bar		SK 2405-01	1	38	Bridge		SK 2005	2
19	Bar bolt	compl.	SK 2121-14	1	39	Hexagon bolt	compl.	SK 2421-55	8
20	Double tension spring		SK 2405-23	1					
21	Lever		SK 2405-04	1					
22	Bearing		SK 2405-15	1					

Repair and retrofit kits



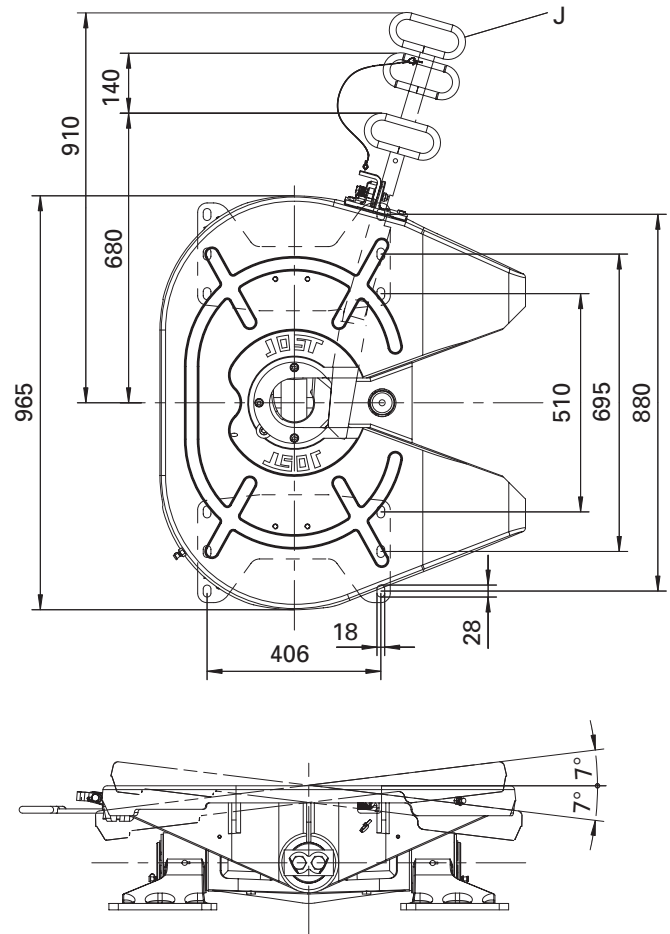
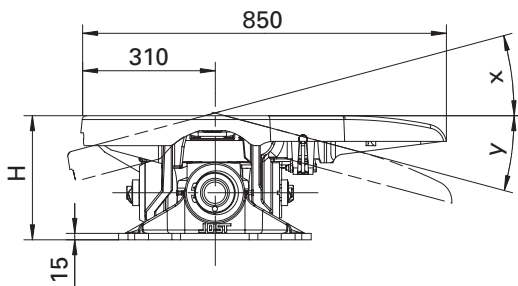
Item	Description	Order No.	Item	Description	Order No.
01, 02, 07, 12, 20, 27, 28	Repair kit for lock 3 1/2", for type C	SK 2421-76	01, 02, 07, 27	Conversion kit for lock from 3 1/2" to 2", f. type C	SK 2421-98
01, 02, 05, 07, 12, 20, 27, 28	Repair kit for lock 3 1/2", for type CZ	SK 2421-76 Z	01, 02, 07, 27	Conversion kit for lock from 3 1/2" to 2", f. type CZ	SK 2421-98 Z
01, 02, 07, 12, 20, 27, 28	Repair kit for lock 2", for type C	SK 2421-77	01, 02, 07, 27	Conversion kit for lock from 2" to 3 1/2", f. type C	SK 2421-99
01, 02, 05, 07, 12, 20, 27, 28	Repair kit for lock 2", for type CZ	SK 2421-77 Z	01, 02, 07, 27	Conversion kit for lock from 2" to 3 1/2", f. type CZ	SK 2421-99 Z
36, 37, 39	Repair kit for bearing for type C/CZ	SK 2421-78	31, 32, 34	Retrofit kit handle extension compl., f. type C/CZ	SK 3121-063

Heavy duty fifth wheel couplings JSK 38 G1

Technical Specification

Cardan bearing, hole pattern as per ISO 3842.

JOST heavy duty fifth wheel couplings comply with dimensions as per DIN 74081 or DIN 74084, for plate mounting with hole patterns as per DIN 74081, 74084 and ISO 3842. Suitable for 2" king pins (50) as per DIN 74080, ISO 337 or 3 1/2" king pins (90) as per DIN 74083, ISO 4086 and steering wedges as per DIN 74085 or 94/20/EC. Fitted on a mounting plate.



Selection table / Versions available

Order No.	H (mm)	Lock	X	Y	D value (kN)	Imposed load U (t)	Weight (kg)	Approval (EC)	WA	ZL
JSK 38G-1	290	3 1/2"	15°	15°	260.0	36	265.0	e1 00-0339	M	K
JSK 38G-1 Z	290	3 1/2"	15°	15°	260.0	36	265.0	e1 00-0339	Z	K
JSK 38G-1 J	290	3 1/2"	15°	15°	260.0	36	265.0	e1 00-0339	M	J
JSK 38G-1 ZJ	290	3 1/2"	15°	15°	260.0	36	265.0	e1 00-0339	Z	J
JSK 38G-1 2"	290	2"	15°	15°	170.0	28	265.0	e1 00-0443	M	K
JSK 38G-1 2" Z	290	2"	15°	15°	170.0	28	265.0	e1 00-0443	Z	K
JSK 38G-1 2" J	290	2"	15°	15°	170.0	28	265.0	e1 00-0443	M	J
JSK 38G-1 2" ZJ	290	2"	15°	15°	170.0	28	265.0	e1 00-0443	Z	J

Explanations:

WA / Maintenance

Z = Prepared for central lubrication

M = Manual lubrication

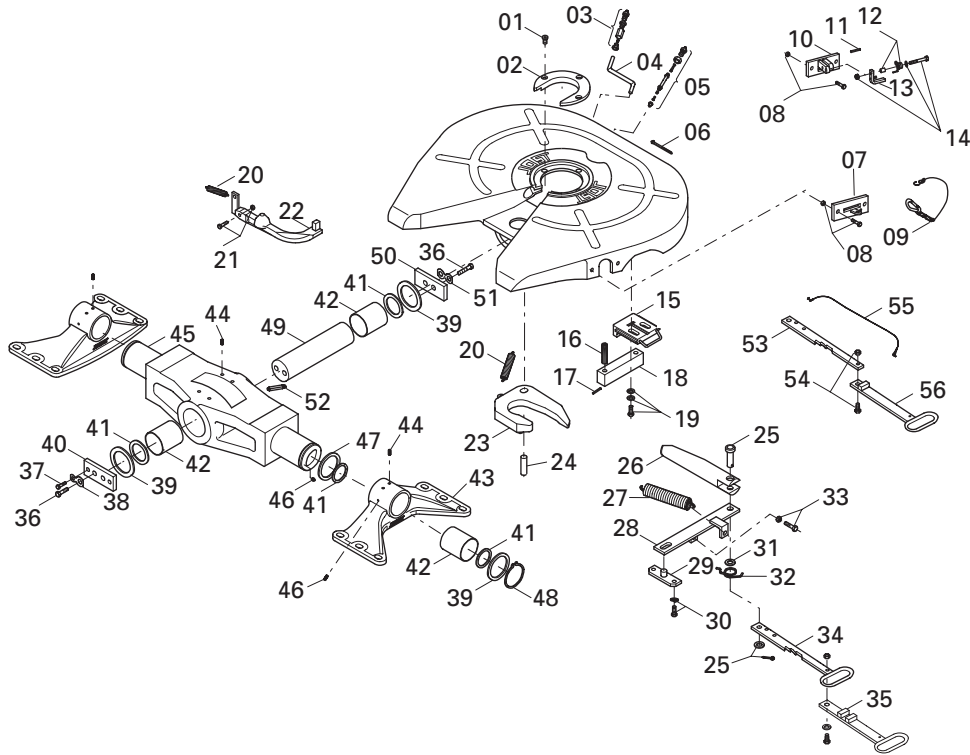
ZL / Handle length

J = Long handle

K = Short handle

JSK 38 G1 / G1-2" / ...Z

Spare parts



Item	Description	Remark	Order No.	per JSK	Item	Description	Remark	Order No.	per JSK
01	Socket head bolt		SK 2421-08	3	26	Locking bar		SK 2405-01	1
02	Wearing ring	3 1/2", compl. with 01	SK 2421-56	1	27	Double tension spring		SK 2405-23	1
02	Wearing ring	2", compl. with 01	SK 2421-57	1	28	Lever		SK 2405-04	1
03	Nut and bolt		SK 1976	1	29	Bearing		SK 2405-15	1
04	Lubrication tube		SK 1989	1	30	Hexagon bolt	compl.	SK 2421-53	2
05	Lubrication tube	compl. with 06, for type Z	SK 2508-02	1	31	Washer		SK 2405-19	1
06	Cable tie		SK 3121-13	1	32	Spring noose		SK 2405-09	1
07	Guide plate	to xx70xxxxxx	SK 2405-22	1	33	Hexagon bolt	compl.	SK 2421-52	1
08	Hexagon bolt	compl.	SK 2421-50	2	34	Handle	standard version	SK 2405-066	1
09	Spring hook	compl. to xx70xxxxxx	SK 1436	1	36	Hexagon bolt		SK 2034	4
10	Latch holder	compl. with 11, from xx72xxxxxx	SK 2405-084	1	37	Hexagon bolt		SK 2521-18	2
11	Clamping pin		000.003.027	1	38	Locking plate		SK 2504-21	2
12	Spring noose	compl. from xx72xxxxxx	SK 2921-30	1	39	Spacer washer		SK 2504-14	4
13	Latch	compl. from xx72xxxxxx	SK 3121-52	1	40	Plate		SK 2504-18	1
14	Hexagon bolt	compl. from xx72xxxxxx	SK 3521-03	1	41	Round seal		SK 2521-07	6
15	Stopper	compl.	SK 2506-22	2	42	Bearing bushing		SK 2504-16	4
16	Pressure spring		SK 2506-15	4	43	Pedestal	with 42, 44, 46	SK 2521-52	2
17	Clamping sleeve		SK 2521-10	4	44	Cylindrical notched pin		SK 1533	8
18	Bush		SK 2506-35	2	45	Rocker arm	compl. with 42, 44, 46, 52	SK 2521-51	1
19	Hexagon bolt	compl.	SK 2521-50	4	46	Taper grease nipple		SK 2521-04	6
20	Tension spring		SK 2106-01	2	47	Spacer washer		SK 1192/1	2
21	Hexagon bolt	compl.	SK 2421-51	1	48	Locking ring		SK 1435	2
22	Latch		SK 2405-27	1	49	Pivot pin		SK 2504-17	1
23	Lock jaw	3 1/2"	SK 2405-14	1	50	Clamping plate		SK 2504-19	1
23	Lock jaw	compl. with 06, 3 1/2" for type Z	SK 2405-14 Z	1	51	Locking plate		SK 2504-20	1
23	Lock jaw	2"	SK 2405-13	1	52	Taper grease nipple + extens.	with extension	SK 2521-57	1
23	Lock jaw	compl. with 06, 2" for type Z	SK 2405-13 Z	1	53	Locking bar	f. type J, from xx72xxxxxx	SK 2405-067	1
24	Bolt		SK 2405-18	1	54	Hexagon bolt	compl. f. type J, from xx72xxxxxx	SK 2421-50	1
25	Bar bolt	compl.	SK 2121-14	1	55	Latch cord	compl. f. type J, from xx72xxxxxx	SK 3521-02	1
					56	Handle	f. type J, from xx72xxxxxx	SK 3105-113	1

Repair and retrofit kits

Item	Description	Order No.	Item	Description	Order No.
01, 02, 09, 20, 23, 24, 27	Repair kit for lock 3 1/2", for type G	SK 2421-76	01, 02, 05, 09, 20, 23, 24, 27	Repair kit for lock 3 1/2", for type GZ	SK 2421-76 Z
01, 02, 09, 20, 23, 24, 27	Repair kit for lock 2", for type G	SK 2421-77	01, 02, 05, 09, 20, 23, 24, 27	Repair kit for lock 2", for type GZ	SK 2421-77 Z
36, 37, 38, 41, 42, 44, 46, 52, 51	Repair kit for bearing for type G/GZ	SK 2521-76	01, 02, 20, 23	Conversion kit for lock from 3 1/2" to 2", f. type GZ	SK 2421-98 Z
01, 02, 20, 23	Conversion kit for lock from 3 1/2" to 2", f. type G	SK 2421-98	01, 02, 20, 23	Conversion kit for lock from 2" to 3 1/2", f. type GZ	SK 2421-99 Z
01, 02, 20, 23	Conversion kit for lock from 2" to 3 1/2", f. type G	SK 2421-99			
35, 54, 55	Retrofit kit handle extension compl. from xx72xxxxx, f. type G/GZ	SK 3121-063			

Heavy duty fifth wheel couplings JSK 38 MC

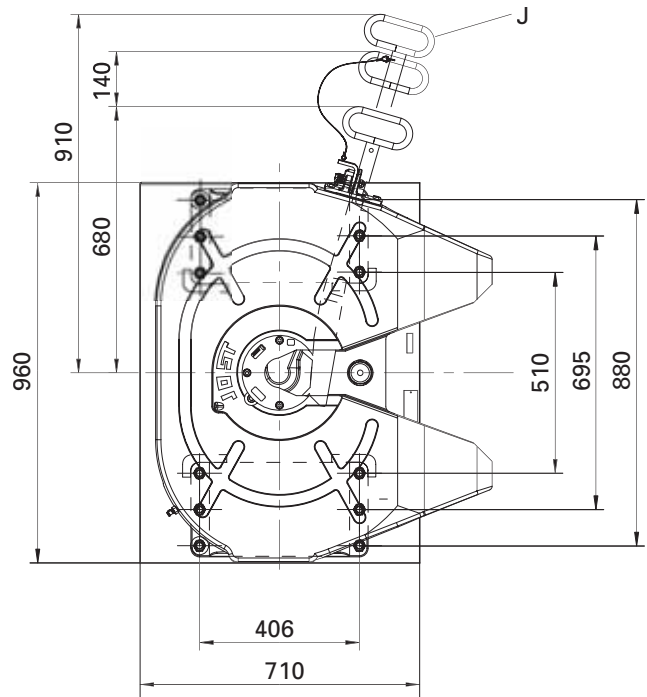
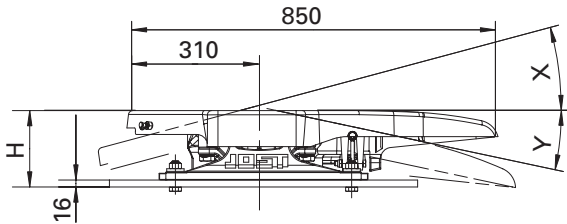
Technical Specification

Fifth wheel coupling with integrated mounting plate.

Rubber bearing, hole pattern as per ISO 3842.

JOST heavy duty fifth wheel couplings comply with dimensions as per DIN 74081 or DIN 74084, for plate mounting with hole patterns as per DIN 74081, 74084 and ISO 3842.

Suitable for 2" king pins (50) as per DIN 74080, ISO 337 or 3 1/2" king pins (90) as per DIN 74083, ISO 4086 and steering wedges as per DIN 74085 or 94/20/EC.



Selection table / Versions available

Order No.	H (mm)	Lock	X	Y	D value (kN)	Imposed load U (t)	Weight (kg)	Approval (EC)	WA	ZL
JSK 38MC3481 AA	176	3 1/2"	15°	12°	260.0	36	270.0	e1 00-0471	M	K
JSK 38MC3481 DJ	176	3 1/2"	15°	12°	260.0	36	270.0	e1 00-0471	Z	K
JSK 38MC3482 AA	176	3 1/2"	15°	12°	260.0	36	270.0	e1 00-0471	M	J
JSK 38MC3482 DJ	176	3 1/2"	15°	12°	260.0	36	270.0	e1 00-0471	Z	J
JSK 38MC3490 AA	176	2"	15°	12°	170.0	28	270.0	e1 00-0472	M	K
JSK 38MC3490 DJ	176	2"	15°	12°	170.0	28	270.0	e1 00-0472	Z	K
JSK 38MC3491 AA	176	2"	15°	12°	170.0	28	270.0	e1 00-0472	M	J
JSK 38MC3491 DJ	176	2"	15°	12°	170.0	28	270.0	e1 00-0472	Z	J

Explanations:

WA / Maintenance

Z = Prepared for central lubrication

M = Manual lubrication

ZL / Handle length

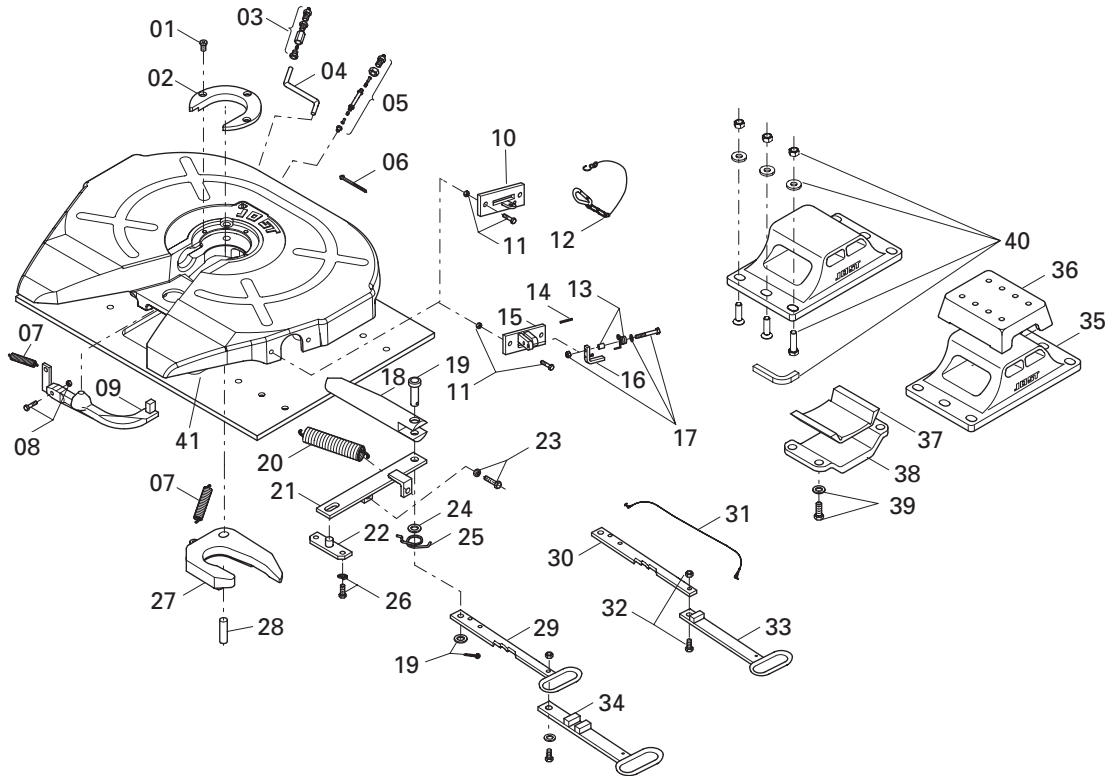
J = Long handle

K = Short handle

Approval EC of mounting plate e1 00-0951

JSK 38 MC / MC- 2" / ...Z

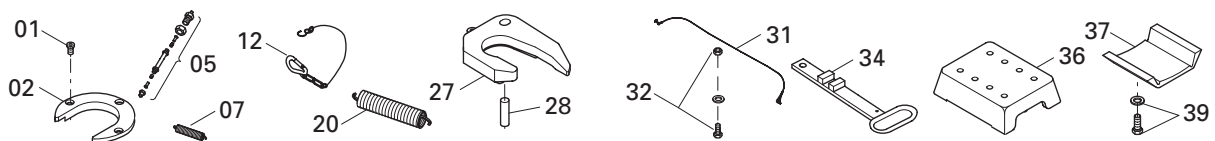
Spare parts



Item	Description	Remark	Order No.	per JSK	Item	Description	Remark	Order No.	per JSK
01	Socket head bolt		SK 2421-08	3	23	Hexagon bolt	compl.	SK 2421-52	1
02	Wearing ring	3 1/2", compl. with 01	SK 2421-56	1	24	Washer		SK 2405-19	1
02	Wearing ring	2", compl. with 01	SK 2421-57	1	25	Spring noose		SK 2405-09	1
03	Nut and bolt		SK 1976	1	26	Hexagon bolt	compl.	SK 2421-53	2
04	Lubrication tube		SK 2205-12	1	27	Lock jaw	3 1/2"	SK 2405-14	1
05	Lubrication tube	compl. with 06, for type Z	SK 2508-02	1	27	Lock jaw	compl. with 06, 3 1/2"	SK 2405-14 Z	1
06	Cable tie		SK 3121-13	1	27	Lock jaw	2"	SK 2405-13	1
07	Tension spring		SK 2106-01	2	27	Lock jaw	compl. with 06, 2"	SK 2405-13 Z	1
08	Hexagon bolt	compl.	SK 2421-51	1	28	Bolt		SK 2405-18	1
09	Latch		SK 2405-27	1	29	Handle	standard version	SK 2405-066	1
10	Guide plate	to xx60xxxxxx	SK 2405-22	1	30	Locking bar	for type J, from xx63xxxxxx	SK 2405-067	1
11	Hexagon bolt	compl.	SK 2421-50	2	31	Latch cord	compl. from xx63xxxxxx	SK 3521-02	1
12	Spring hook	compl. to xx60xxxxxx	SK 1436	1	32	Hexagon bolt	compl. for type J,		
13	Spring noose	compl. from xx63xxxxxx	SK 2921-30	1			from xx63xxxxxx	SK 2421-50	1
14	Clamping pin		000.003.027	1	33	Handle	f. type J, from xx63xxxxxx	SK 3105-113	1
15	Latch holder	compl. with 14,			35	Pedestal BH 160*		SK 2404-05	2
		from xx63xxxxxx	SK 2405-084	1	36	Rubber cushion, upper		SK 2006	2
16	Latch	compl. from xx63xxxxxx	SK 3121-52	1	37	Rubber cushion, lower		SK 2007	2
17	Hexagon bolt	compl. from xx63xxxxxx	SK 3521-03	1	38	Bridge		SK 2005-01	2
18	Locking bar		SK 2405-01	1	39	Hexagon bolt	compl.	SK 2421-55	8
19	Bar bolt	compl.	SK 2121-14	1	40	Mounting kit		SK 2410-019	1
20	Double tension spring		SK 2405-23	1	41	Mounting plate		MP 0119-133	1
21	Lever		SK 2405-04	1					
22	Bearing		SK 2405-15	1					

* Construction with pedestal for mounting height 160 mm only permissible in combination with mounting plate MP 0119-133.

Repair and retrofit kits



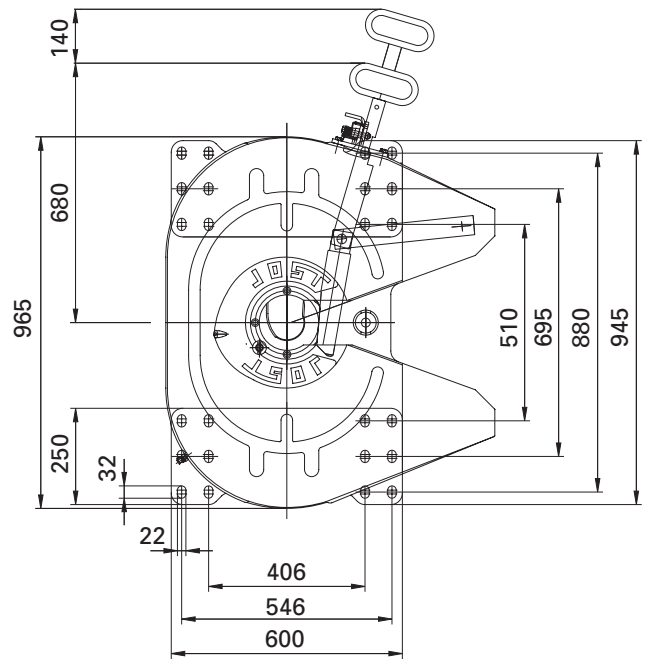
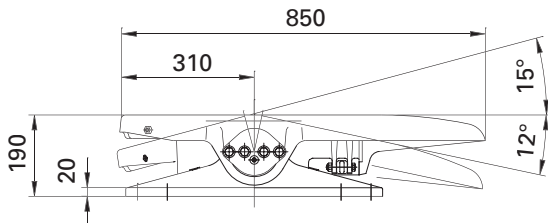
Item	Description	Order No.	Item	Description	Order No.
01, 02, 07, 12, 20, 28, 27	Repair kit for lock 3 1/2", for type C	SK 2421-76	31, 32, 34	Retrofit kit handle extension compl., f. type C/CZ	SK 3121-063
01, 02, 07, 12, 20, 27, 28	Repair kit for lock 2", for type C	SK 2421-77	01, 02, 05, 07, 12, 20, 27, 28	Repair kit for lock 3 1/2", for type CZ	SK 2421-76 Z
36, 37, 39	Repair kit for bearing for type C/CZ	SK 2421-78	01, 02, 05, 07, 12, 20, 27, 28	Repair kit for lock 2", for type CZ	SK 2421-77 Z
01, 02, 07, 27	Conversion kit for lock from 3 1/2" to 2", f. type C	SK 2421-98	01, 02, 07, 27	Conversion kit for lock from 3 1/2" to 2", f. type CZ	SK 2421-98 Z
01, 02, 07, 27	Conversion kit for lock from 2" to 3 1/2", f. type C	SK 2421-99	01, 02, 07, 27	Conversion kit for lock from 2" to 3 1/2", f. type CZ	SK 2421-99 Z

Heavy duty fifth wheel couplings JSK 50

Technical Specification

Pivot bearing.

Suitable for 3 1/2" king pins (90) as per 94/20/EC, DIN 74083, ISO 4086 and steering wedges as per 94/20/EC, DIN 74085.

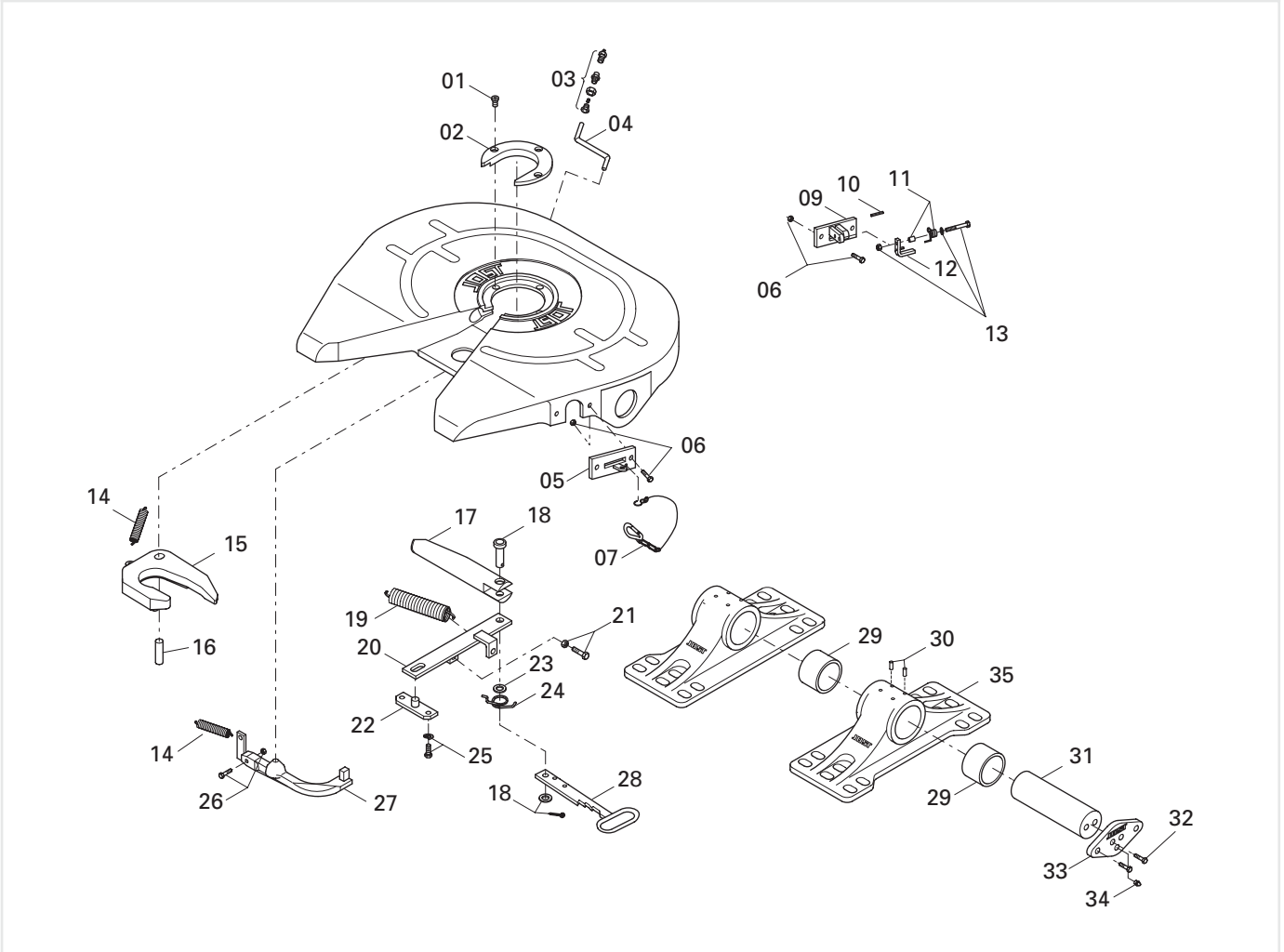


Selection table / Version available

Order No.	D value (kN)	Imposed load U (t)	Weight (kg)	Approval (EC)
JSK 50	300.0	50	290.0	e9 00-3023

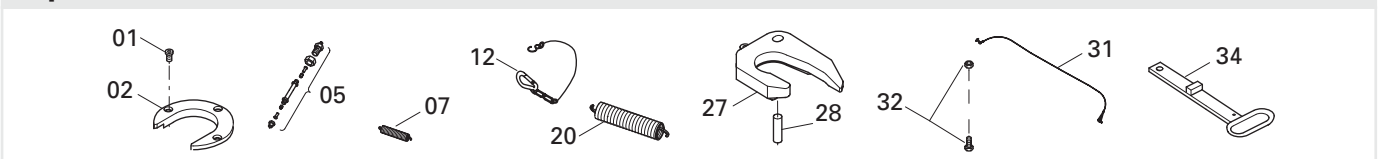
JSK 50

Spare parts



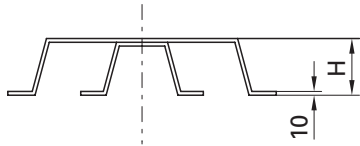
Item	Description	Remark	Order No.	per JSK	Item	Description	Remark	Order No.	per JSK
01	Socket head bolt		SK 2421-08	3	19	Double tension spring		SK 2405-23	1
02	Wearing ring	3 1/2", compl. with 01	SK 2421-56	1	20	Lever		SK 2405-04	1
03	Nut and bolt		SK 1976	1	21	Hexagon bolt	compl.	SK 2421-52	1
04	Lubrication tube		SK 1989-003	1	22	Bearing		SK 2405-15	1
05	Guide plate	to xx90xxxxxx	SK 2405-22	1	23	Washer		SK 2405-19	1
06	Hexagon bolt	compl.	SK 2421-50	2	24	Spring noose		SK 2405-09	1
07	Spring hook	compl.	SK 1436	1	25	Hexagon bolt	compl.	SK 2421-53	2
09	Latch holder	c. + 10, from xx91xxxxxx	SK 2405-084	1	26	Hexagon bolt	compl.	SK 2421-51	1
10	Clamping pin		000.003.027	1	27	Latch		SK 2405-27	1
11	Spring noose	compl. from xx91xxxxxx	SK 2921-30	1	28	Handle		SK 2405-066	1
12	Latch	compl. from xx91xxxxxx	SK 3121-52	1	29	Bearing bushing		SK 2805-03	4
13	Hexagon bolt	compl. from xx91xxxxxx	SK 3521-03	1	30	Cylindrical notched pin		SK 1533	8
14	Tension spring		SK 2106-01	2	31	Pivot pin		SK 2805-01	2
15	Lock jaw	3 1/2"	SK 2405-14	1	32	Locking bolt		SK 2521-05	8
16	Bolt		SK 2405-18	1	33	Plate		SK 2805-02	2
17	Locking bar		SK 2405-01	1	34	Taper grease nipple		SK 2521-04	2
18	Bar bolt	compl.	SK 2121-14	1	35	Pedestal	compl. with 29 + 30	SK 2821-51	2

Repair and retrofit kits

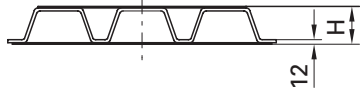


Item	Description	Order No.
01, 02, 05, 07, 12, 20, 27, 28	Repair kit for lock 3 1/2"	SK 2421-76
31, 32, 34	Retrofit kit handle extension compl.	SK 3121-063

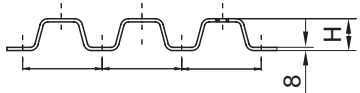
Mounting plates for 2" fifth wheel couplings



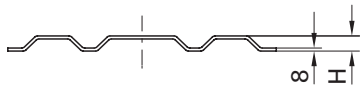
MP 1107/08



MP 1101/03



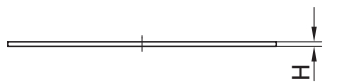
ROE 58241



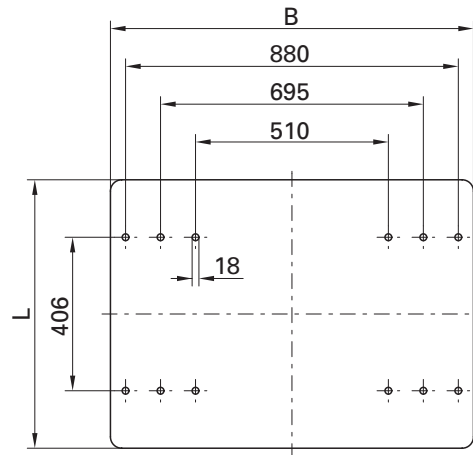
MP 41...



MP 21...



MP 01...



Hole pattern as per DIN 74081 / ISO 3842

Selection table / Versions available

Order No.	B (mm)	H (mm)	L (mm)	D value* (kN)	Imposed load* U (t)	Approval (EC)	Weight (kg)	Fifth wheel coupling Mounting height (mm)	Chassis hole patterns
MP 0113	960	12	710	152	20	e1 00-0367	62	up to 300	without
MP 0113-109	960	12	710	152	20	e1 00-0367	62	up to 300	DAF
MP 0113-68S	960	12	710	152	20	e1 00-0367	62	up to 300	MAN
MP 0115	1050	12	710	152	20	e1 00-0367	72	up to 300	without
MP 0115-148	1050	12	710	152	20	e1 00-0367	72	up to 300	Ford
MP 0143-111	960	12	650	152	20	e1 00-0367	58	up to 300	Daimler
MP 0143-211**	960	12	650	152	20	e1 00-0367	58	up to 300	Daimler
MP 0143-217	960	12	650	152	20	e1 00-0367	58	up to 300	Daimler
MP 2101	960	22	710	152	20	e1 00-0368	44	up to 300	without
MP 2102	960	22	665	152	20	e1 00-0368	41	up to 300	without
MP 2102-090	960	22	665	152	20	e1 00-0368	41	up to 300	Scania
MP 2103-088	1050	22	710	152	20	e1 00-0368	48	up to 300	Daewoo
MP 2111	1050	22	665	152	20	e1 00-0368	45	up to 300	without
MP 4101	960	40	710	152	20	e1 00-0368	48	up to 300	without
MP 4101-49	960	40	710	152	20	e1 00-0368	48	up to 300	Iveco
MP 4102	960	40	665	152	20	e1 00-0368	44	up to 300	without
MP 4102-090	960	40	665	152	20	e1 00-0368	43	up to 300	Scania
MP 4102-106S	960	40	665	152	20	e1 00-0368	43	up to 300	MAN
MP 4102-36	960	40	665	152	20	e1 00-0368	43	up to 300	Scania
MP 4103-088	1050	40	710	152	20	e1 00-0368	52	up to 300	Daewoo
MP 4111	1050	40	665	152	20	e1 00-0368	48	up to 300	without
MP 4111-128	1050	40	665	152	20	e1 00-0368	48	up to 300	Ford
MP 4152-112	960	40	650	152	20	e1 00-0368	43	up to 300	Daimler
MP 1101	970	100	710	152/108	20/15	e1 00-1246	79	up to 200*/up to 250*	without
MP 1101-23	970	100	710	152/108	20/15	e1 00-1246	79	up to 200*/up to 250*	Iveco
MP 1103	1060	100	710	152/108	20/15	e1 00-1246	85	up to 200*/up to 250*	without
MP 1107	1050	150	700	108	15	-	120	up to 250	without
MP 1108	960	150	700	108	15	-	116	up to 250	without

* see mounting instructions for JOST class J mounting plates

** only for the JSK 42 series

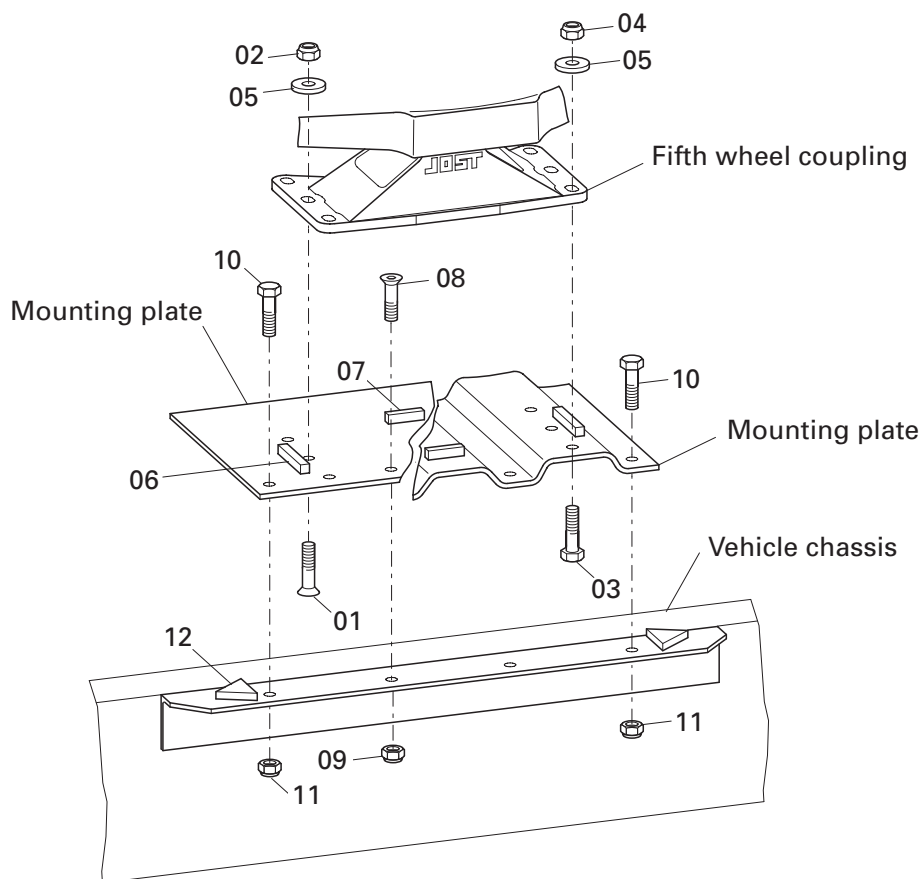
Other mounting plates available on request.

Mounting kits

JSK 36 DV

JSK 37 C/CW/E/EW

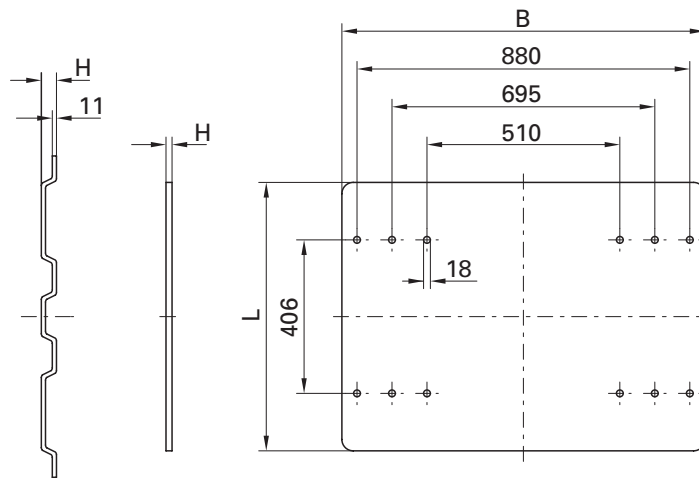
JSK 42 K0



Mounting kit consisting of (Quantity per kit):

Item	Description	SK 2110-38	SK 2110-43	SK 2110-45	SK 2110-46	SK 2110-15	SK 2110-25	SK 2110-16	SK 2110-26
		(12 mm) use for: JSK 36/37	(12 mm) JSK 36/37	(12 mm) JSK 42	(12 mm) JSK 42	(22-40 mm) all	(22-40 mm) all	(100/150 mm) all	(100/150 mm) all
01	Countersunk bolts M16 x 60	4							
01	Countersunk bolts M16 x 1,5 x 55		8	12	12				
02	Hexagon nuts M16	4							
02	Hexagon nuts M16 x 1,5		8	12	12				
03	Hexagon bolts M16 x 1,5 x 60	8	4					12	12
03	Hexagon bolts M16 x 1,5 x 50					12	12		
04	Hexagon nuts M16 x 1,5	8	4			12	12	12	12
05	Washers 17	12	12	12	12	12	12	12	12
06	Stop blocks 15/100 mm	4	4	4	4	4	4	4	4
07	Stop blocks 15/60 mm	2	2	2	2	2	2	2	2
08	Countersunk bolts M16 x 50	4							
08	Countersunk bolts M20 x 50		4						
09	Hexagon nuts M16	4							
09	Hexagon nuts M20		4						
10	Hexagon bolts M16 x 1,5 x 50	8		8		8		8	
10	Hexagon bolts M20 x 1,5 x 50		4		8		8		8
11	Hexagon nuts M16 x 1,5	8		8		8		8	
11	Hexagon nuts M20 x 1,5		4		8		8		8
12	Stop blocks triangle 65 x 12	4	4	4	4	4	4	4	4

Mounting plates for heavy duty fifth wheel couplings



MP 4... **MP 0...** Hole pattern as per DIN 74081 / ISO 3842

Selection table / Versions available

Order No.	B (mm)	H (mm)	L (mm)	D value (kN)	Imposed load U (t)	Approval (EG)	Weight (kg)	Fifth wheel coupling Mounting height (mm)	Chassis hole patterns
MP 0117	960	16	710	260	36	e1 00-0951	86	up to 290	without
MP 0118	1050	16	710	260	36	e1 00-0951	94	up to 290	without
MP 0925	960	20	850	300	50	e9 00-3022	128	up to 190*	without
MP 4125	960	40	850	260	36	e1 00-0950	74	up to 290	without
MP 4125-213	960	40	850	260	36	e1 00-0950	77	up to 290	Daimler
MP 4126	1050	40	850	260	36	e1 00-0950	81	up to 290	without
MP 4126-126	1050	40	850	260	36	e1 00-0950	80	up to 290	Daewoo
MP 4126-215	1050	40	850	260	36	e1 00-0950	80	up to 290	Tata
MP 4157-1248	960	40	970	260	36	e1 00-0950	77	up to 290	MAN
MP 4157-2148	960	40	970	260	36	e1 00-0950	78	up to 290	Scania

* with attachment hole pattern for JOST JSK 50 (24 x ø 22)

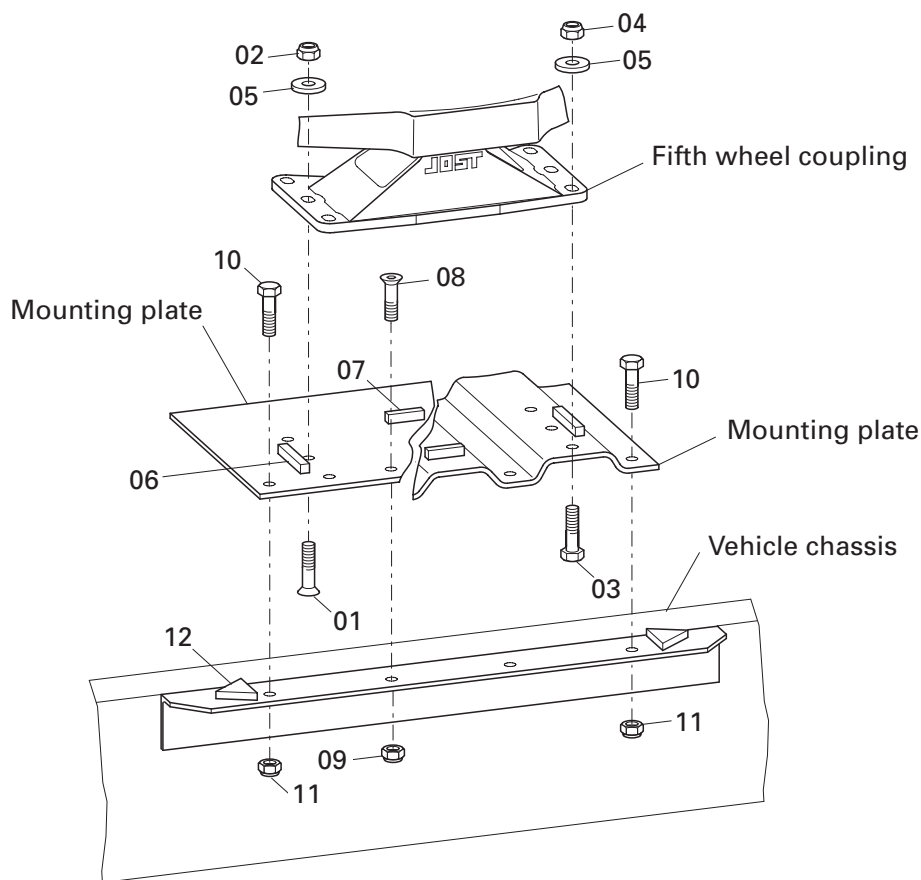
Selection table for mounting plates and heavy duty fifth wheel couplings JSK 38 C1/G1

Mounting height (mm)	Mounting plate	Mounting height (mm) (MP)	Fifth wheel coupling	Mounting height (mm) (JSK)	Gross weight* (approx. kg)
206	MP 0117	16	JSK 38 C-1	190	276
206	MP 0118	16	JSK 38 C-1	190	284
230	MP 4125	40	JSK 38 C-1	190	264
230	MP 4126	40	JSK 38 C-1	190	271
290	MP 4125	40	JSK 38 C-1	250	279
290	MP 4126	40	JSK 38 C-1	250	286
306	MP 0117	16	JSK 38 G-1	290	351
306	MP 0118	16	JSK 38 G-1	290	359
330	MP 4125	40	JSK 38 G-1	290	339
330	MP 4126	40	JSK 38 G-1	290	346
210	MP 0925	20	JSK 50	190	418

* Total weight without fixings

Other mounting plates available on request.

Mounting kits JSK 38 C1/G1



Mounting kit consisting of (Quantity per kit):

Item	Description	SK 2410-13 (16 mm)	SK 2410-05 (40 mm)	SK 2410-01 (40 mm)	SK 2410-03 (40 mm)
01	Countersunk bolts M16 x 70	4			
02	Hexagon nuts M16	4			
03	Hexagon bolts M16 x 1,5 x 60		12	12	
04	Hexagon bolts M16 x 1,5 x 70	8			
05	Hexagon nuts M16 x 1,5	8	12	12	
06	Washers 17	12	12	12	
07	Stop blocks 25 x 12/100 mm	4	4	4	
08	Stop blocks 25 x 12/60 mm	2	2	2	
09	Countersunk bolts M20 x 50	4			
10	Hexagon nuts M20	4			
11	Hexagon bolts M20 x 1,5 x 50	4	8		8
12	Hexagon nuts M20 x 1,5	4	8		8
13	Stop blocks 65 x 12/65 mm	4	4		4

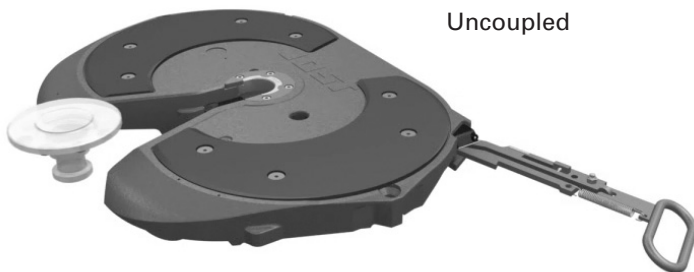
Accessories Flashtronic

Safe locking check with sensor

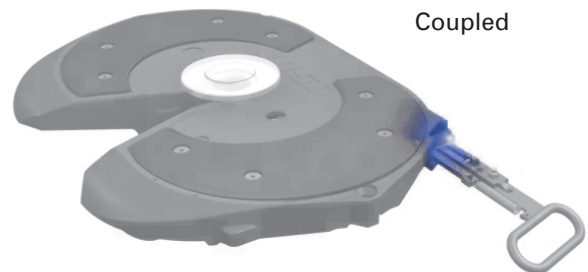
- Optical locking display, directly on the fifth wheel coupling
- Simple coupling control – through a blinking LED display – even under low visibility
- 3 year life span
- Simple installation and replacement of the Flashtronic, no wiring necessary
- Designed for installation on JSK 42
- Equipment approval according to 72/245/EEC (2005/83/EC Amendment) and dangerous goods guidelines
- Fifth wheel coupling with Flashtronic approved according to 94/20/EC



Flashtronic Functions



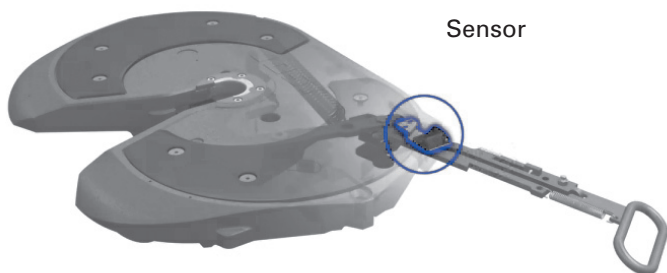
Uncoupled



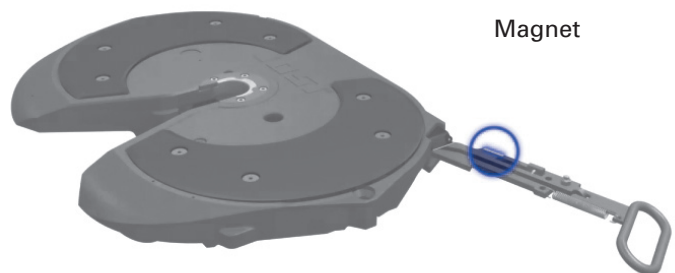
Coupled

- The LED light is off if the fifth wheel coupling is uncoupled.
- The Flashtronic indicates coupling lock of the fifth wheel coupling immediately after coupling through a yellow LED light.
- The integrated LED light blinks once each second.
- After 10 minutes, the frequency of the blinking is reduced and the LED blinks only once every 5 seconds.

Flashtronic Components



Sensor



Magnet

- Sensor element in the handle area of the fifth wheel coupling
- Special handle with the actuating magnet for the sensor

- Retrofittable on the JSK 42 (from October 2004/Serial Number 14B040xxxx)

Spare parts

Order No.	Description
SKE004350000	Spare part kit battery and LED
SKE001360600	Flashtronic handle
SKE004410000	Spare part kit mounting

Retrofit kit

Order No.	Description
SKE004350100	Retrofit kit

Accessories LubeTronic

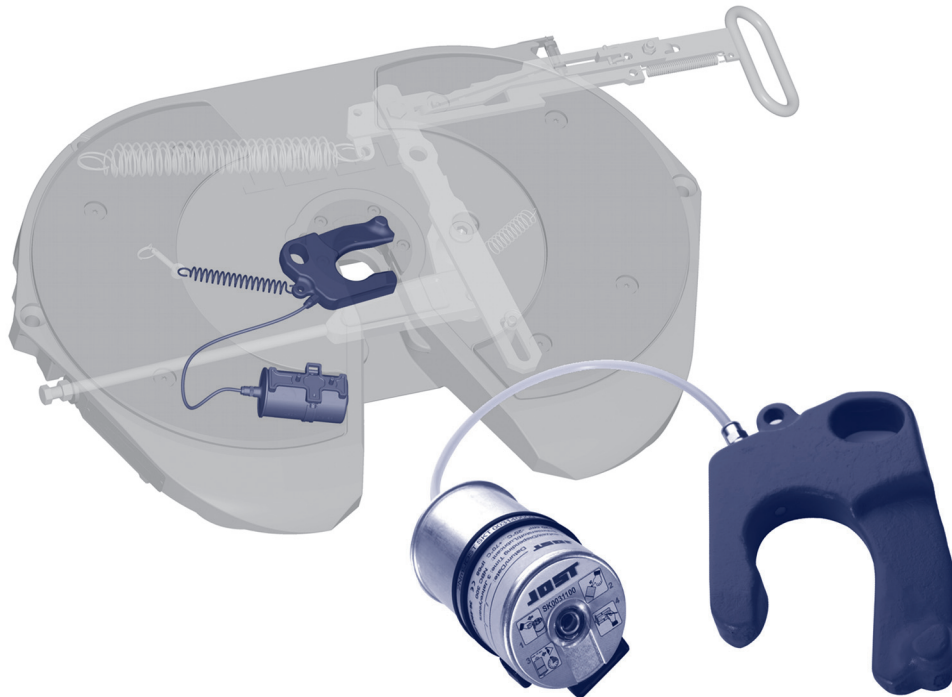
Safe and automatic for 3 years

Always lubricates safely

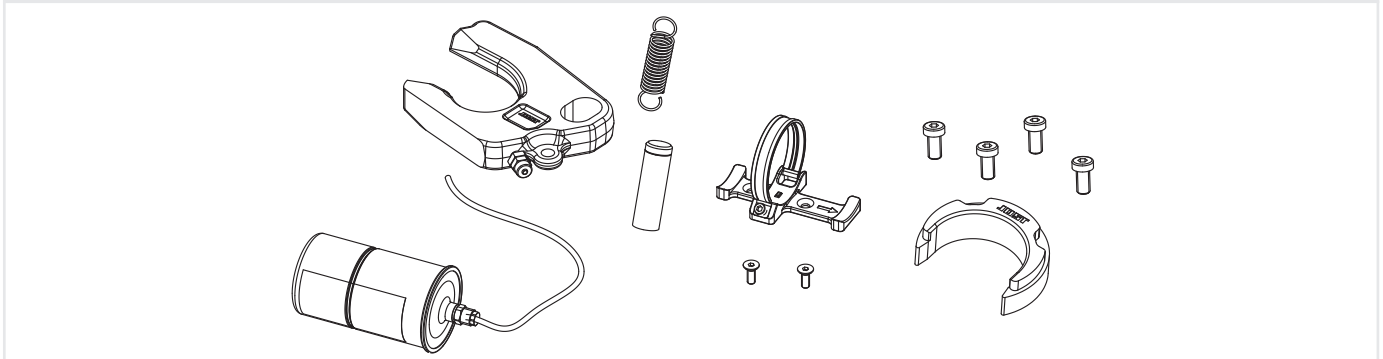
- The special coating on the lock jaw makes the surface extremely durable. This allows the lock jaw to be operated with a minimal amount of lubricant.
- Outstanding lubrication qualities thanks to novel lubricants from high-performance grease and continuous lubrication
- Temperature range: -20°C to $+70^{\circ}\text{C}$
- Electronic dose dispensing reduces both costs and environmental impact
- Completely sealed and immersion tested (IP 68)

Simple Maintenance

- Easy to install
 - Electronic level control with display
 - 3 year life span
 - Manual lubrication is not necessary
 - Can be used to upgrade all low-maintenance couplings
 - Very light and compact
 - Anti-vibration mounting
 - Not recommended for usage in the construction industry.
- Range of application: long distance transport, tankers



Repair and retrofit kits



Order No.	Description	Remark
SKE 004070000	Repair kit, compl.	with cartridge

Accessories

Automatic lubricator

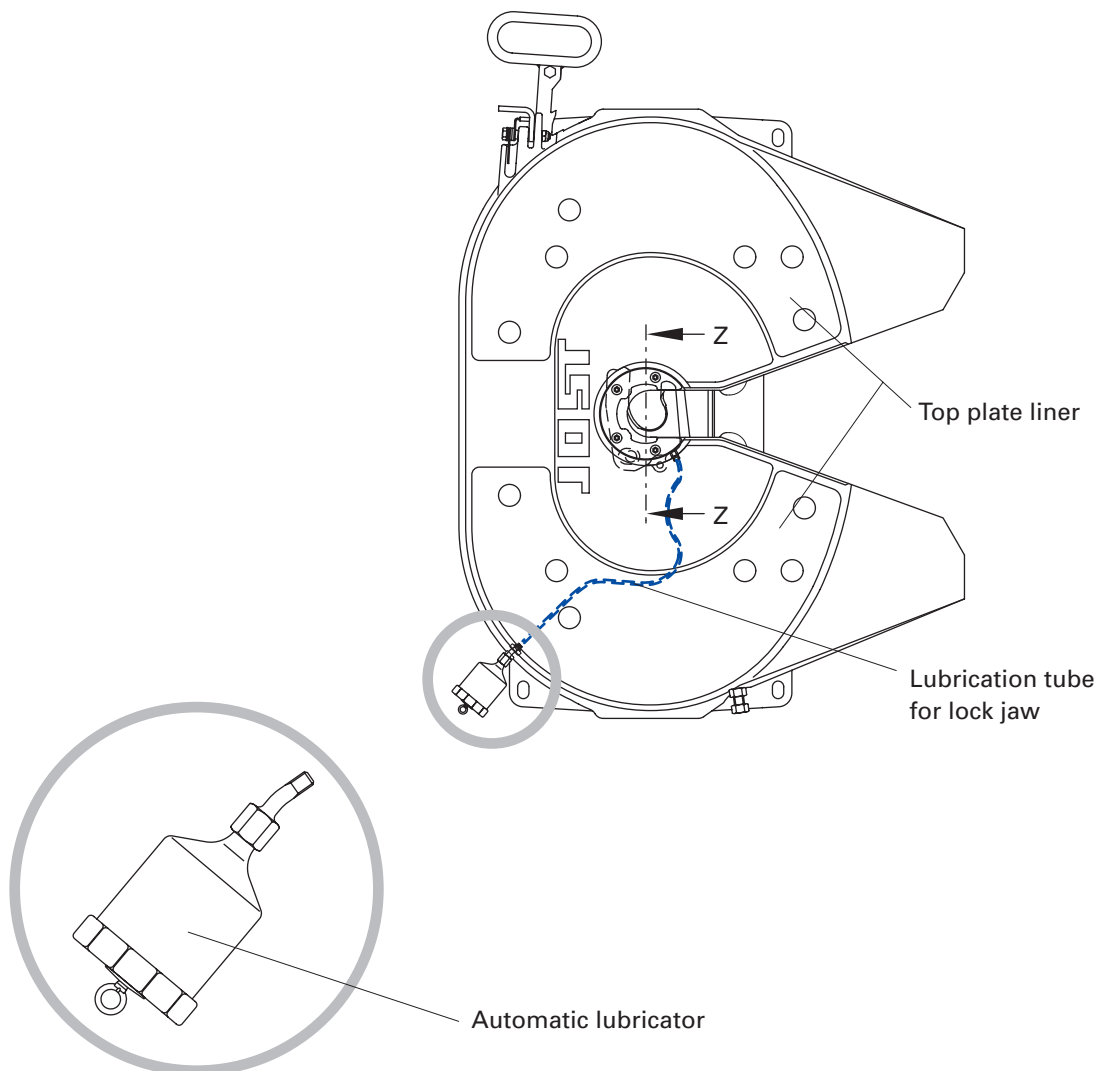
All users of low-maintenance JOST couplings can save time and money by fitting an automatic lubricator because it will grease the fifth wheel lock jaw for up to six months.

Due to the unavoidable dirt and corrosion that affect the top plate and king pin in every use, we recommend the following:

- Clean at regular intervals
- Apply a thin film of grease to the skid plate
- Grease the fifth wheel coupling pin and lock jaw
- Use an automatic lubricator

This servicing work must be completed at least every 50,000 km or every six months, and in tough operating conditions every 25,000 km. The automatic lubricator supplies the lock jaw with the requisite grease through the connection at the edge of the fifth wheel coupling plate. Please also see the mounting and operating instructions for the automatic lubricator.

Order No.: SK 3108-012



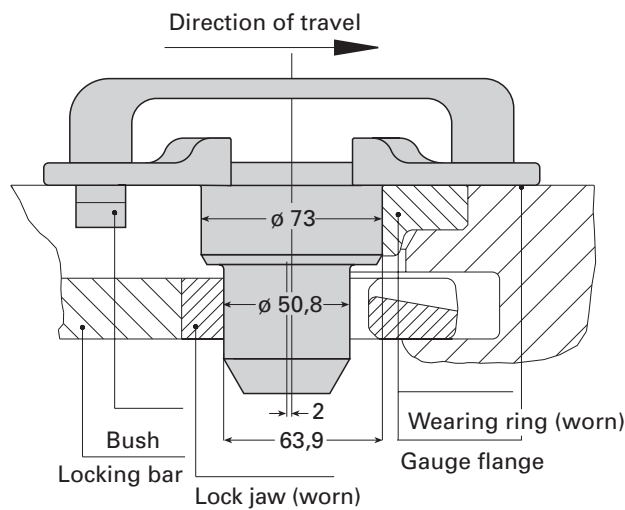
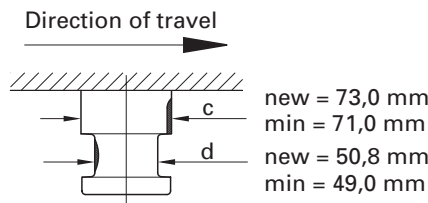
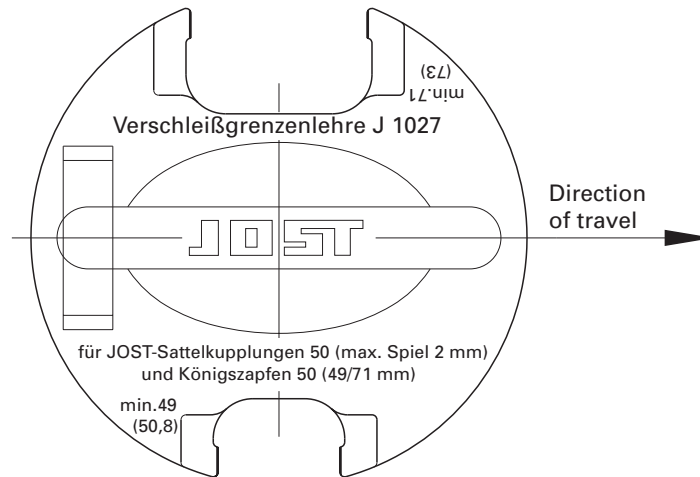
Accessories Wear limit gauge 2"

The JOST wear limit gauge may be a valuable tool for you. The lock on JOST fifth wheel couplings is adjusted at the factory to provide initial horizontal play of approx. 0.3 mm in the direction of travel with a new king pin.

This longitudinal play may increase to 2 mm as a result of wear on the lock jaw or wearing ring. 2" fifth wheel couplings (Class G 50) from JOST offer infinite adjustment to compensate for wear in the coupling lock. Only

when this adjustment distance has been exhausted does the fifth wheel coupling need to be repaired. The JOST wear limit gauge makes it possible to determine whether the lock on a 2" JOST fifth wheel coupling or a 2" king pin has reached or exceeded the permitted wearing limit while the coupling is disconnected and closed.

Order No.: J 1027



(Locking mechanism shown at the limit of wear)

Note:

Further instructions for testing when coupled are given in the JOST instructions for fifth wheel couplings.

General information

Order information

The available ranges of JOST fifth wheel couplings are specified in the respective selection tables by means of order numbers. Possible alternatives are combined with the reference number specified.

Scope of supply, storage, transport, handling

Included in the supply is JOST fifth wheel coupling as per the order reference number and the technical documentation requested according to the order form.

In the case of JOST fifth wheel couplings for plate mounting, the relevant mounting plate and mounting kit are to be ordered separately. If you do not intend to unpack and fit the JOST fifth wheel couplings immediately on delivery, please store in a dry place until you are ready to install them. JOST fifth wheel couplings are transported on pallets or in crates. We recommend the use of a lifting truck, forklift or crane for handling pallets or crates.

Further documentation

You can find further technical details and information (e.g. mounting and operating instructions) at www.jost-world.com.

Accessories, repair, retrofit and conversion kits

JOST fifth wheel couplings can be adapted to suit modified operating conditions. Available extras include a handle extension and a conversion kit to prepare the unit for the central lubrication system of the tractor.

In the case of the JSK 38 Series, the lock can be converted to 2" or 3 1/2". Repair kits for wearing parts such as the bearings or locks are available containing different combinations of spares. It is also possible to modify the mounting height by replacing the pedestals. Legal requirements must be observed here. Repair kits and conversion kits are all listed in the spare part lists.



Terms of guarantee

Guarantee

JOST guarantees perfect dimensional and material conditions, as well as the correct functioning of the fifth wheel coupling for a period of three years or 500,000 km, whichever arises first.

Guarantee claims

Requirements for claims under guarantee are:

- Compliance with the instructions on the technical data sheets provided by JOST, proof of correct storage and compliance with our mounting, operating and maintenance instructions using genuine JOST spare parts.
- Immediate communication of your claim and, where necessary, the return of the faulty products to JOST.
- The immediate and full completion of the technical questionnaire supplied by JOST.
- Giving JOST the opportunity to investigate the problem and/or carry out tests on site, as well as measures to reduce damage according to the estimation of JOST.

Exceptions to the guarantee

- The company ordering products from JOST is to decide on their suitability for the intended application.
- Surface damage, for instance caused by defective top plates, impacts during coupling or groove marks to the permitted wear limit are excluded from the guarantee. The same applies to damage caused by prohibited operating conditions, as well as subsequently modified fifth wheel couplings.
- Claims under the guarantee are restricted to repair or replacement. Claims for consequential damage are excluded.
- The guarantee period commences with the transfer of risk.
- Our General Commercial Terms and Conditions also apply.



4 Dual-height fifth wheel systems

The dual-height fifth wheel system is fitted to a tractor unit to connect it to a trailer.

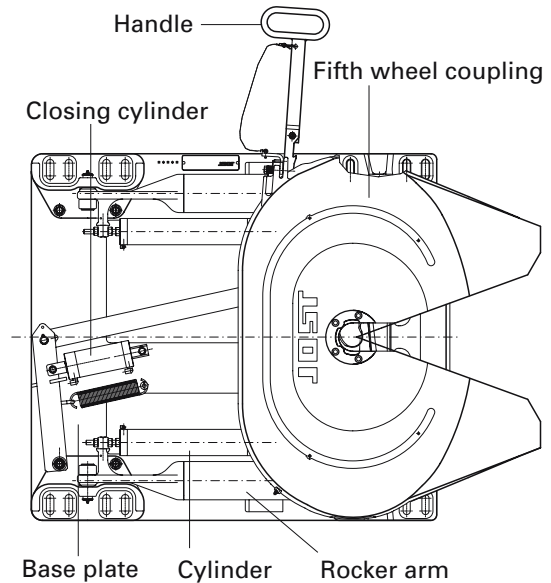
Dual-height fifth wheel systems are vehicle attaching parts that are subject to mandatory design approval and on which the highest safety requirements are placed.

The dual-height fifth wheel system allows both mega-trailers and conventional semi-trailers to be used on low-deck tractor units. The height is adjusted when the tractor unit is uncoupled and can be set to mounting heights of 165 mm and 365 mm. The dual-height fifth wheel system can be mounted easily on all conventional tractor units.

When fitting our dual-height fifth wheel systems, JOST mounting instructions and the relevant national regulations must be observed (in Germany these are §§19, 20, 21 of the "StVZO" Motor Vehicle Safety Standards).

Fitting dual-height fifth wheel system

The dual-height fifth wheel system is mounted directly on the mounting angles of the tractor unit. There is no need for an additional mounting plate. Further details are given in the mounting instructions.



Type plate

The fifth wheel coupling is fitted with its own type plate. For further information, see the "Fifth wheel couplings" section of this catalogue.

Each dual-height fifth wheel system is marked with a type designation. This can be found on the type plate secured on the sole plate. The model designation is used to identify the version of the dual-height fifth wheel system. When ordering spare parts, please quote the model designation and the factory number.

DH1009902	Hubeinrichtung für Sattelkupplungen Sellettes double hauteur Dual Height Fifth Wheel		EG	e1	00-1069	J	D-Value (kN)	Imposed load(t)
							D 110	U 15
Neu-Isenburg, Germany / R.F.A.								
Artikelnr. Type	JSKDHE02806AA		Nr. N°					
Part no. Ausf.bez.	DH200 P		Ausrüstung	Vor Benutzung Betriebsanleitung lesen. Voir notice d'instructions avant utilisation. Read operating manual before use.				

Dual-height fifth wheel systems JSK DH

Robust, compact and light

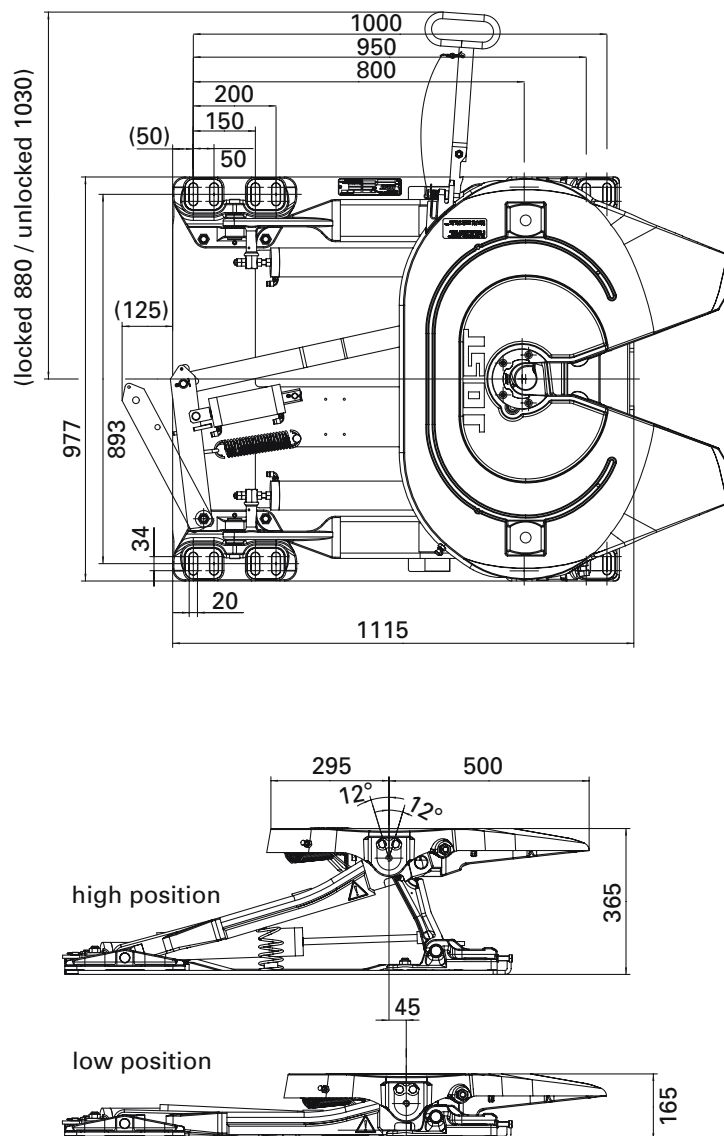
Technical Specification

- The dual-height fifth wheel system with integral JOST series JSK 37 E fifth wheel coupling is designed for 2" king pins (50) as per 94/20/EC, DIN 74080, ISO 337 and steering wedges as per 94/20/EC, DIN 74085. This version has also been outfitted for a possible retrofitting with LubeTronic (starting with series number 1862094706).
- Fifth wheel coupling with ergonomically shaped, long handle. For further information, see the "Fifth wheel couplings" section of this catalogue
- Excellent anti-corrosion protection by cathodic immersion coating
- Dual locking mechanism with additional safeguard to prevent incorrect locking
- Raised and lowered pneumatically
- Height adjustment locked and unlocked pneumatically
- For installation of the JSK DH on the tractors no additional relief valves are necessary.
- Fitting recommendation: when ordering new vehicles ensure that the mounting angles are drilled according our dimensions (see drawing) or completely undrilled.

JSK DH with JSK 37 E

Scope of delivery Order No. JSKDHE02806AA

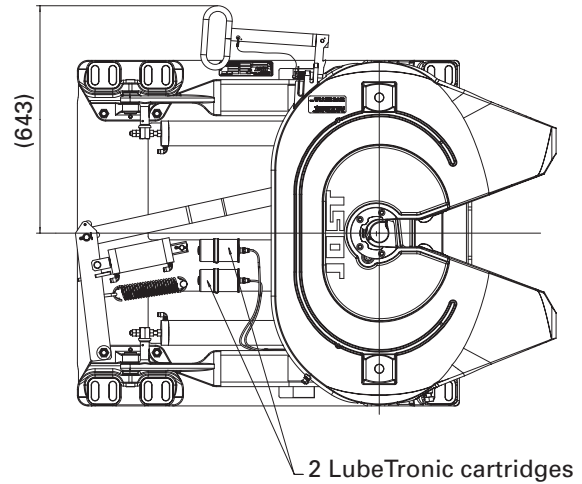
- Dual height fifth wheel system with standard fifth wheel coupling JSK 37 E
- Pneumatic kit, Mounting bolts



JSK DH with JSK 37 E and LubeTronic

Scope of delivery Order No. JSKDHE02816AA

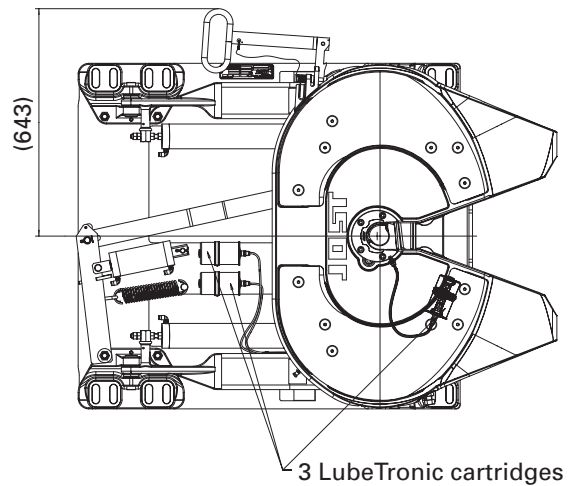
- Dual fifth wheel system JSK DH with LubeTronic
- two integrated LubeTronic cartridges for dual fifth wheel system lubrication
- Standard fifth wheel coupling JSK 37 E
- Pneumatic kit, Mounting bolts



JSK DH with low-maintenance JSK 37 EW and LubeTronic

Scope of delivery Order No. JSKDHE02813AA

- Dual fifth wheel system JSK DH with integrated LubeTronic
- two integrated LubeTronic cartridges for dual fifth wheel system lubrication
- low-maintenance fifth wheel coupling JSK 37 EW with integrated LubeTronic for lock jaw lubrication
- Pneumatic kit, Mounting bolts



Selection table / Versions available

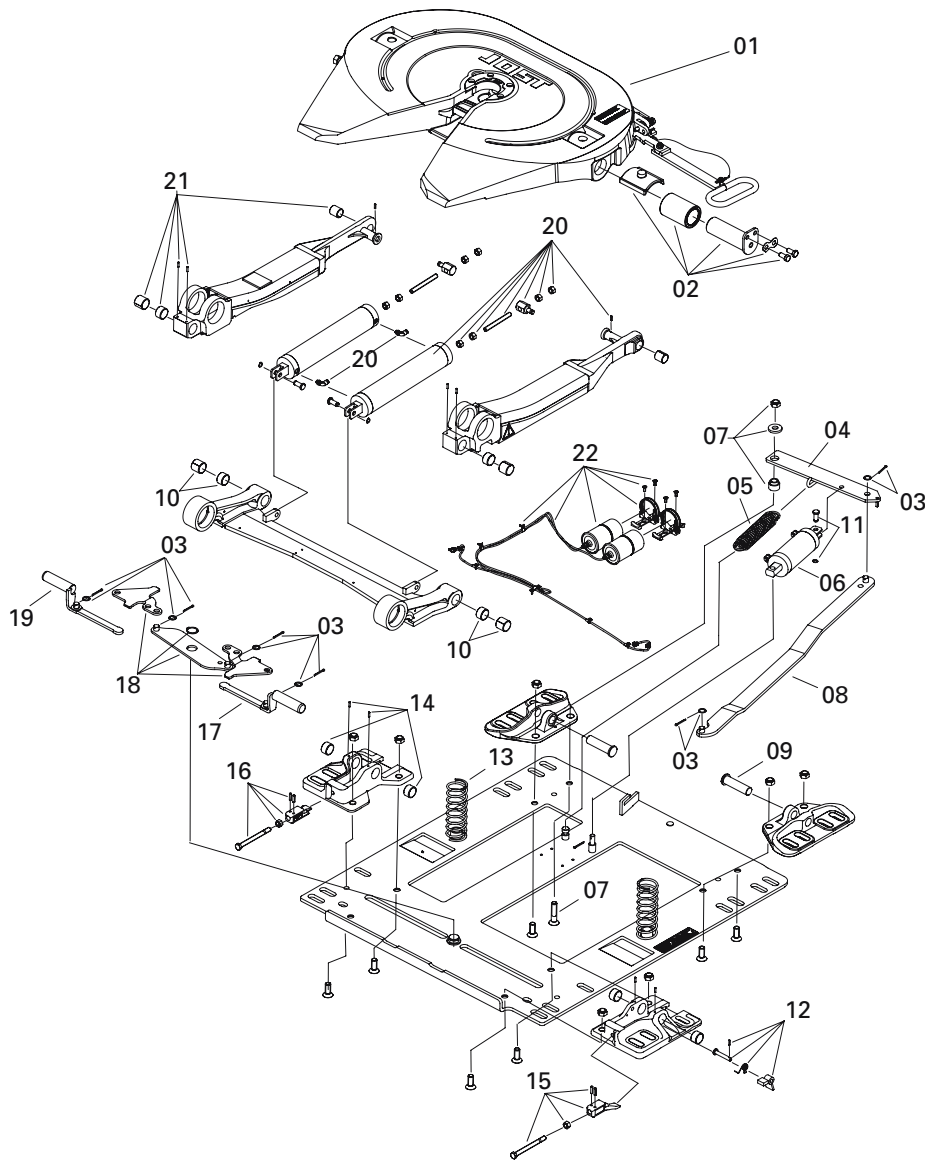
Order No.	Weight (kg)	D value (kN)	Imposed load U (t)	maximum permissible total towing weight (t)	Approval (EC) Dual-height fifth wheel system	Fifth wheel coupling	Approval (EC) Fifth wheel coupling
JSKDHE02806AA	260.0	110.0	15	44	e1 00-1069	JSK 37 E	e1 00-0294
JSKDHE02816AA	266.0	110.0	15	44	e1 00-1069	JSK 37 E	e1 00-0294
JSKDHE02813AA	267.0	110.0	15	44	e1 00-1069	JSK 37 EW	e1 00-0294

Description	Order No.	per Slider
Mounting kit: 10 x hexagonal screws M16 x 1,5 x 70 4 x hexagonal screws M16 x 1,5 x 90 14 x nuts M16 x 1,5 16 x washers A17 6 x Double washer	DH 1019950	1
Pneumatic kit: 1 x control device 2 x T-plug connector L6/L6/L6 15 m compressed air hose	DHE 1011800	1

For further information concerning LubeTronic, see accessories page 80.

JSK DH with JSK 37 E/EW

Spare parts



Item	Description	Remark	Order No.	per DH	Item	Description	Remark	Order No.	per DH
01	Fifth wheel coupling*				13	Spring		DH 1019913	2
02	Fifth wheel coupling bearing	compl.	DH 1019902	2	14	Bushing set 2		DH 1019914	2
03	Split pin	compl.	DH 1019903	1	15	Wedge right	compl.	DH 1019915	1
04	Lever		DHE 1011600	1	16	Wedge left	compl.	DH 1019916	1
05	Double tension spring		SK 2405-23	1	17	Locking pin, right		DH 1019917	1
06	Closing cylinder		DHE 1011100	1	18	Elbow lever	compl.	DH 1019918	1
07	Spacer bushing	compl.	DH 1019907	1	19	Locking pin left		DH 1019919	1
08	Lever		DH 1019908	1	20	Cylinder	compl.	DH 1019920	2
09	Pivot pin		DH 1019909	2	21	Bushing set 3		DH 1019921	2
10	Bushing set 1		DH 1019910	2	22	Lubrication kit, 2 x LubeTronic			
11	Bolt	compl.	DHE 1003100	1		for JSK E...	compl.	DH 1019200	1
12	Latch	compl.	DH 1019912	1		third LubeTronic cartridge for JSK EW...		SKE 004070000	1

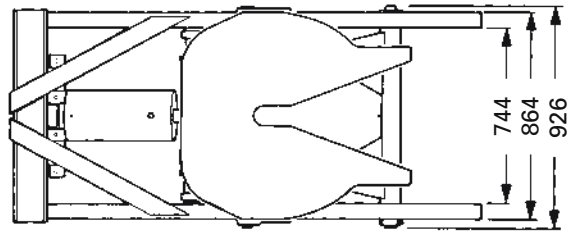
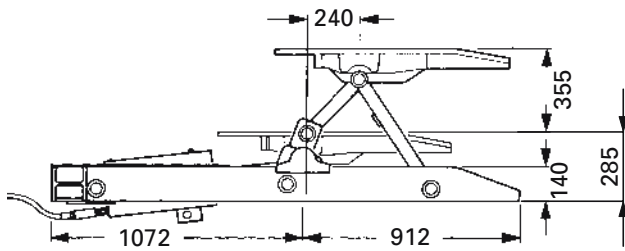
* Spare parts of fifth wheel coupling see JSK 37 E

Dual-height fifth wheel system - Hydra Lift RO*66

Hydraulic and infinitely height-adjustable

Technical specifications

- The Hydra Lift with a special, integral fifth wheel coupling is designed for mounting 2" king pins (50) in compliance with 94/20/EC, DIN 74080, ISO 337.
- Permitted vertical load on tractor (U) on private roads up to 22 t
- With control unit for the coupling lock and for the raised coupling position
- All functions with remote control
- Permitted speed when raised 20 kph
- Lifting time approx. 10 sec. at 1,200 rpm of the ancillary gear
- Lift max. 355 mm
- Height adjustment with a load



Delivery includes:

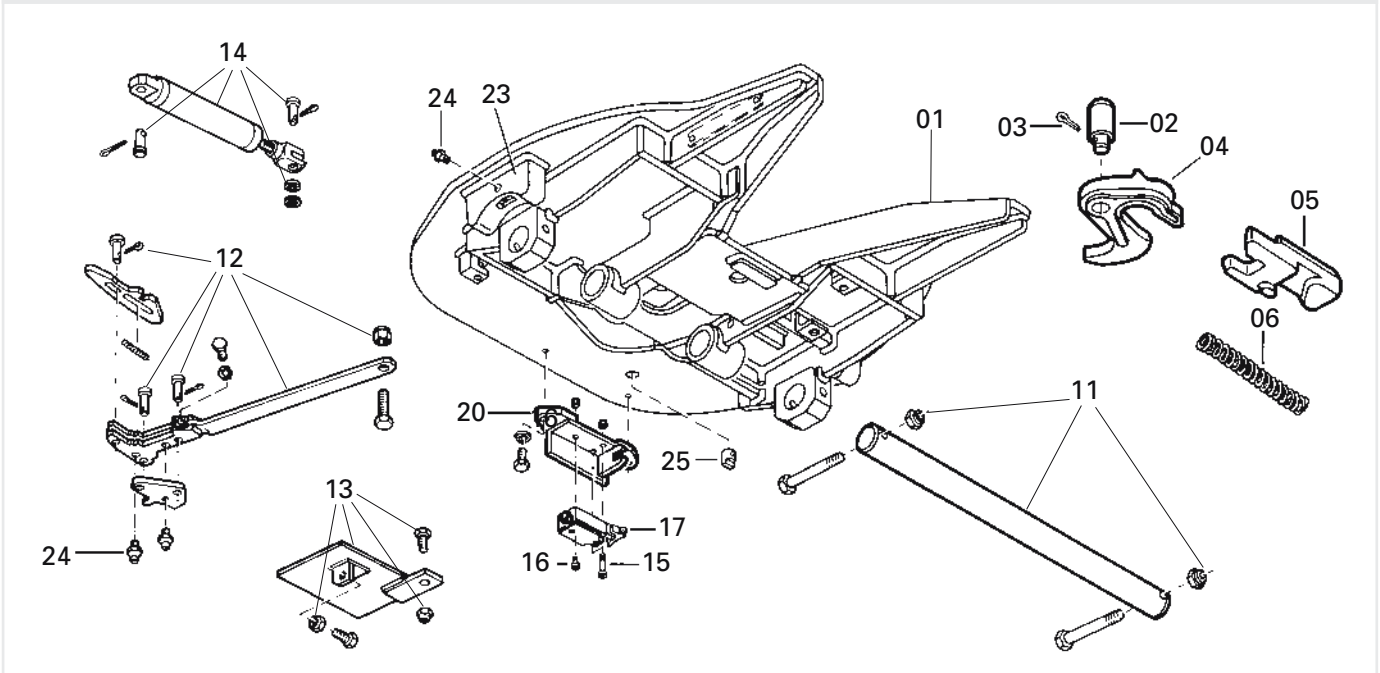
- 1 x dual-height fifth wheel system with fifth wheel coupling
- 1 x hydraulic pump
- 1 x mounting and operating instructions
- 1 x control unit for driver's cab

Selection table / Version available

Order No.	Weight (kg)	D value (kN)	Imposed load U (t)	Approval (D)	Unladen tractor weight (t)	Perm. total weight of articulated vehicle (t)
RO66LA	600.0	110,5	15	M 3680	10	38

RO*66 LA - Fifth wheel plate

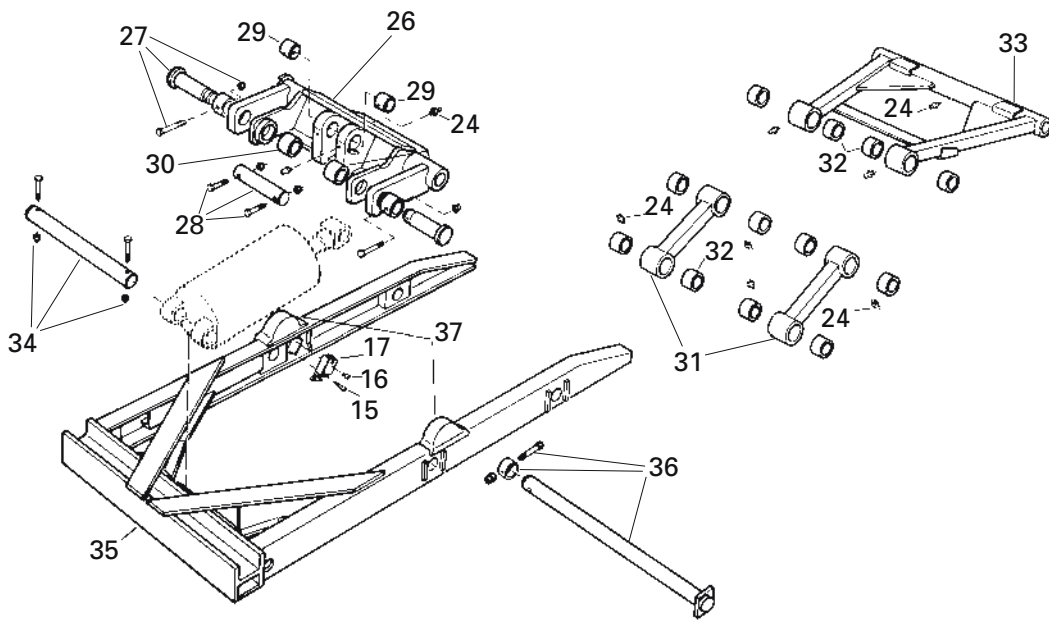
Spare parts



Item	Description	Remark	Order No.	per RO*66	Item	Description	Remark	Order No.	per RO*66
01	Fifth wheel plate unit fitted with the above components		ROE 69142	1	14	Unlocking cylinder		ROE 69025	1
02	Pivot pin		ROE 52141	1	15	Socket head bolt M4 x 40		ROE 30179	2
03	Split pin	in 02		1	16	Socket head bolt M4 x 12		ROE 30180	1
04	Lock jaw		ROE 68013	1	17	Limit switch		ROE 90035	1
05	Plunger		ROE 68166	1	20	Limit switch bracket		ROE 68411	1
06	Pressure spring		ROE 55103	1	23	Collar		ROE 68133	2
11	Shaft		ROE 69192	1	24	Lock fitting A10 x 1		ROE 65018	2
12	Release lever	with 24	ROE 69188	1	25	Stop bolt		ROE 52153	1
13	Cover plate		ROE 69189	1					

RO*66 LA - Lifting frame

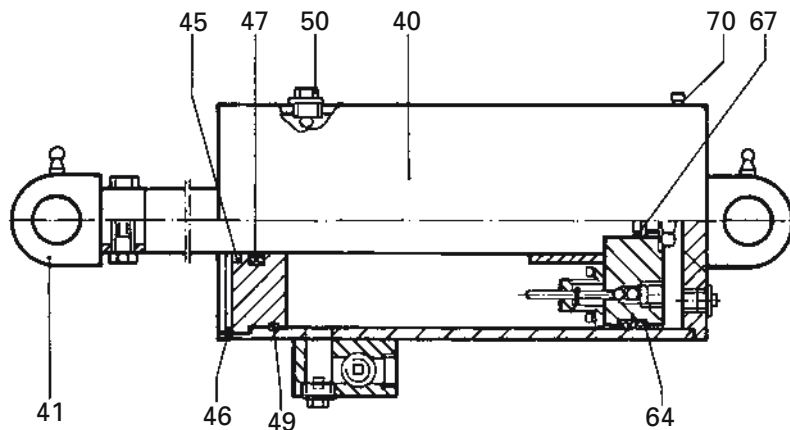
Spare parts



Item	Description	Remark	Order No.	per RO*66	Item	Description	Remark	Order No.	per RO*66
26	Reversing body	with 27 - 30	ROE 69176	1	32	Bearing bushing		ROE 53178	12
27	Pivot pin		ROE 69193	2	33	Lifting arm	with 24, 32	ROE 69071	1
28	Shaft		ROE 69190	1	34	Shaft		ROE 69191	1
29	Bearing bushing		ROE 53203	2	35	Base frame	with 2 x 15 - 17, 36, 37	ROE 69143	1
30	Bearing bushing		ROE 53179	4	36	Shaft		ROE 69075	2
31	Arm	with 24, 32	ROE 69072	2	37	Pedestal		ROE 68132	2

RO*66 LA - Hydraulic cylinder

Spare parts



Item	Description	Remark	Order No.	per RO*66	Item	Description	Remark	Order No.	per RO*66
40	Hydraulic cylinder		ROE 69136	1	49	O-ring		*	1
41	Bar eye		ROE 68391	1	50	Ventilation screw		ROE 68398	1
45	Cleaner		*	1	64	Piston washer		*	1
46	Locking ring		*	1	67	O-ring		*	1
47	Grooved ring		*	1	70	Sealing ring		*	1

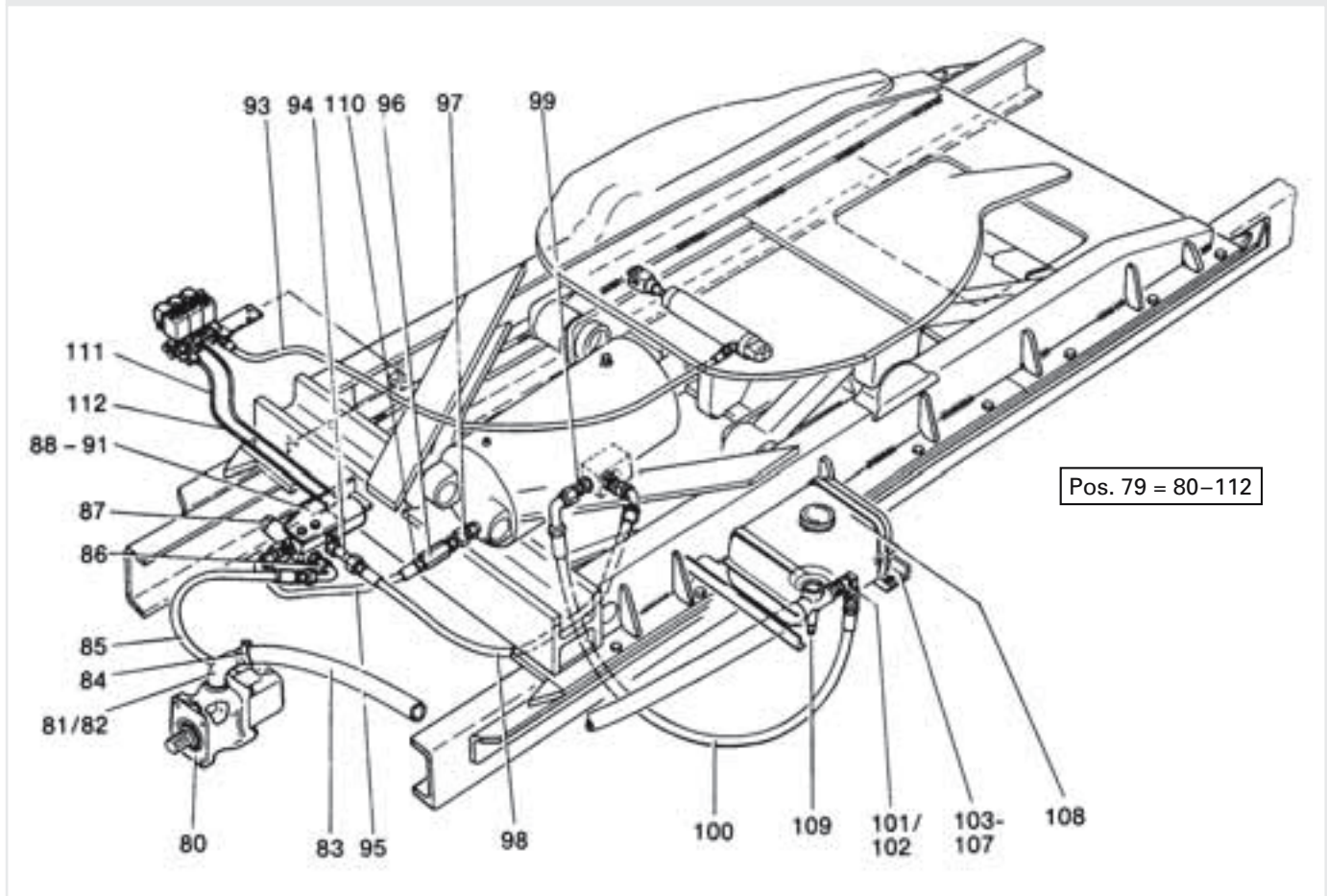
Repair and retrofit kits

Item	Description	Order No.
45, 46, 47, 49, 64, 67, 70	Repair kit	ROE 69305

Further spare parts on request

RO*66 LA - Hydraulic kit

Spare parts



Item	Description	Remark	Order No.	per RO*66	Item	Description	Remark	Order No.	per RO*66
79	Hydraulic kit	contains pos. 80-112	ROE 69169	1	96	Lowering brake valve		ROE 90071	1
80	Hydraulic pump		ROE 69170	1	97	Nut and bolt		ROE 90062	1
81	Intake connection		ROE 90065	1	98	Return hose	in 79		1
82	O-ring	in 79		1	99	Nut and bolt	in 79		2
83	Spiral hose	in 79		1	100	Return hose		ROE 90093	1
84	Hose clamp	in 79		2	101	Nut and bolt	in 79		1
85	High-pressure hose	in 79		1	102	Reducer		ROE 90074	1
86	Threaded elbow joint	in 79		3	103	Fastening bow	in 79		2
87	Control tilt valve		ROE 69171	1	104	Angle bracket left	in 79		1
88	Angle bracket	in 79		1	105	Angle bracket right	in 79		1
89	Separator	in 79		1	106	Hexagon bolt	in 79		4
90	Hexagon bolt	in 79		2	107	Hexagon nut	in 79		4
91	Lock nut	in 79		2	108	Oil tank	with T-piece 109	ROE 90066	1
93	Air hose		ROE 90063	1	109	T-piece	in 79		1
94	Mounting props	in 79		1	110	Sealing ring	in 79		1
95	High-pressure hose	in 79		1	111	Nut and bolt	in 79		1
					112	Tube 3 m	in 79		1

Repair and retrofit kits

Item	Description	Order No.
•	Screw connection for valve control block	ROE 90100
•	Lifting block, kit	ROE 58233

General information

Order information

Available versions of dual-height fifth wheel systems are specified in the appropriate selection tables by means of order numbers.

Scope of supply, storage, transport, handling

Included in the supply is the dual-height fifth wheel system as per the order reference number. If you do not intend to unpack and fit the dual-height fifth wheel systems immediately on delivery, please store them in a dry place. Dual-height fifth wheel systems are transported on pallets. We recommend the use of a lifting truck, forklift or crane for handling pallets.

The load data apply to use on metalled roads and for standard road conditions in Central Europe. If they are used in other conditions please ask us.

Further documentation

You can find further technical details and information (e.g. mounting and operating instructions) at www.jost-world.com.

Terms of guarantee

Guarantee

JOST guarantees perfect dimensional and material conditions, as well as the correct functioning of the dual-height fifth wheel systems for a period of three years or 500,000 km, whichever arises first.

Claims under guarantee

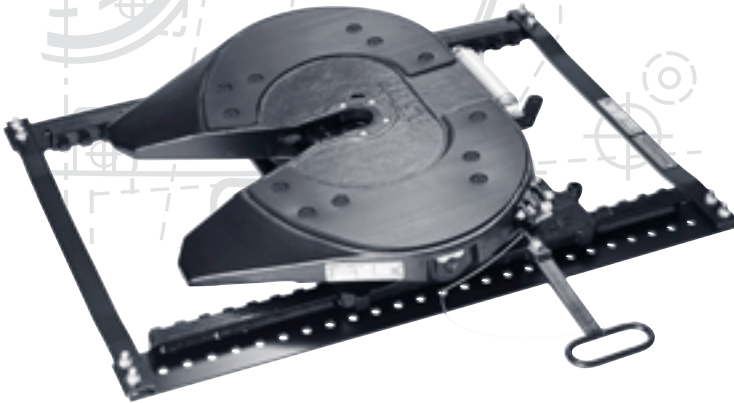
Requirements for claims under guarantee are:

- Compliance with the instructions on the technical data sheets provided by JOST, proof of correct storage and compliance with our mounting, operating and maintenance instructions using genuine JOST spare parts.
- Immediate communication of your claim and, where necessary, the return of the faulty products to JOST.
- The immediate and full completion of the technical questionnaire provided by JOST.
- Giving JOST the opportunity to investigate the problem and/or carry out tests on site, as well as measures to reduce damage according to the estimation of JOST.

Exclusions to the guarantee

- The company ordering products from JOST is responsible for deciding on their suitability for the intended application.
- Damage caused by error during coupling and for subsequently modified dual-height fifth wheel systems.
- Claims under the guarantee are restricted to repair or replacement. Claims for consequential damage are excluded.
- The period of guarantee commences with the transfer of risk.
- Our guarantee terms for fifth wheel couplings and the General Terms of Business of JOST also apply.





5 Sliders

Sliders allow the position of the fifth wheel coupling to be moved on the semi-trailer tractor unit. This allows the axle load and load distribution to be optimised, and the total length of the articulated vehicle to be reduced for ferry crossings or adapted to comply with national regulations.

The JOST's EV M slider is suitable for use with fifth wheel couplings of all conventional makes with a connecting hole pattern in line with ISO 3842.

The JSK SL sliders can be equipped as an option with a pneumatic control and are supplied as a complete unit with integrated fifth wheel coupling. The SL series is outstanding as a result of its weight and flexibility. All standard couplings (sheet steel and cast) can be installed on it.

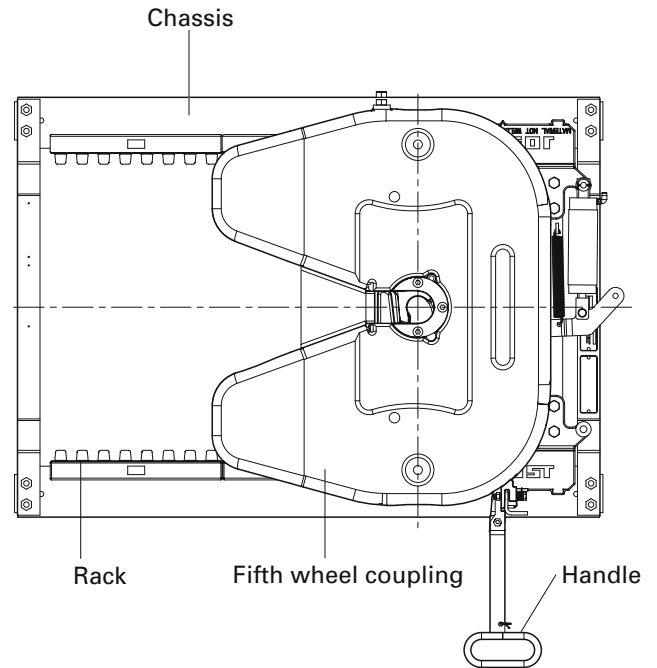
The JOST's EV HD slider is suitable for use with heavy-duty fifth wheel couplings of all conventional makes with a connecting hole pattern in line with ISO 3842.

National regulations and JOST mounting instructions must be observed for their mounting.

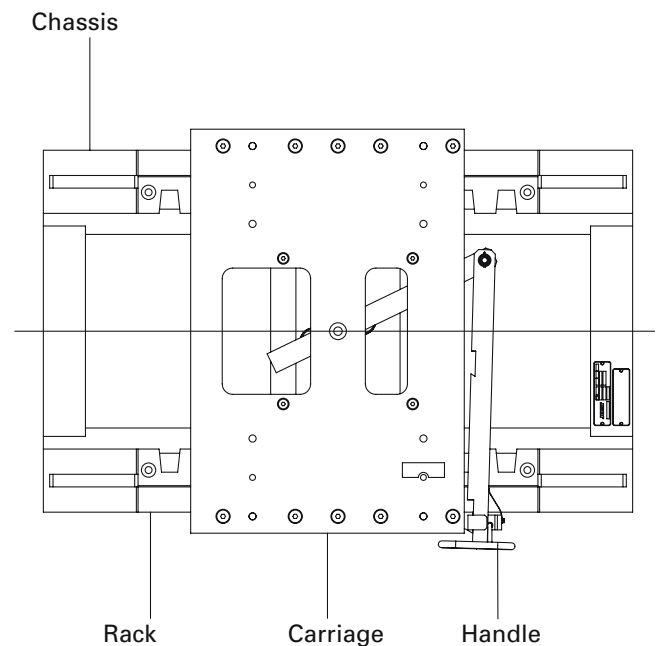
Fitting sliders

The slider is mounted on the mounting angles of the tractor unit. There is no need for an additional mounting plate. Further details for fitting the slider are given in the mounting instructions.

JSK SL



EV HD / EV M

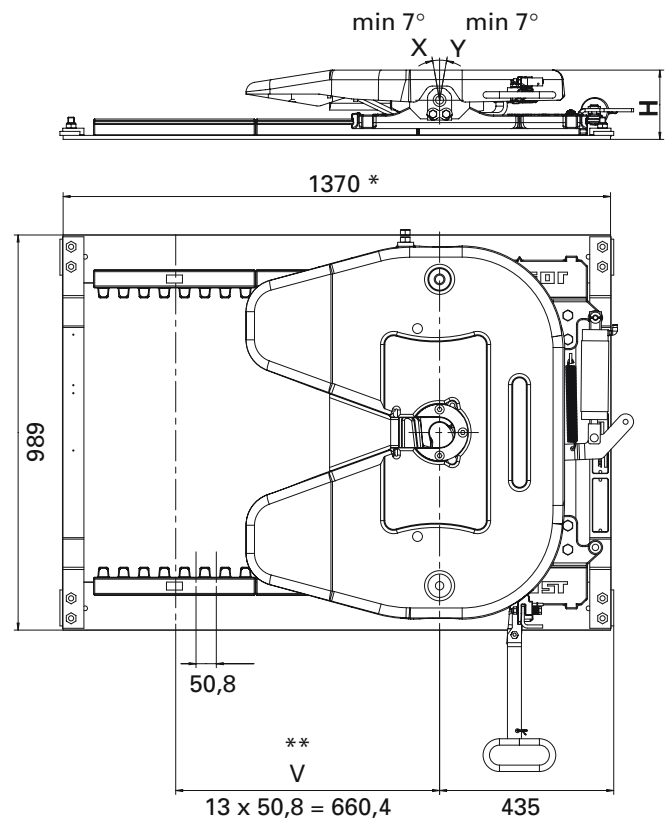
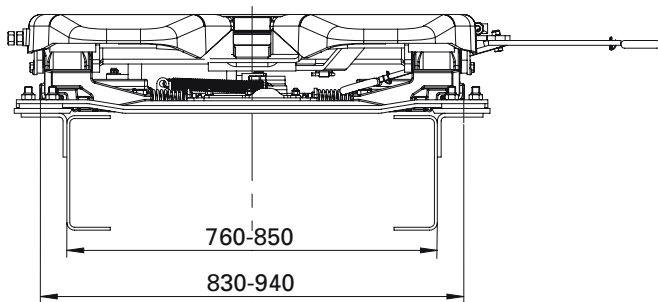


Sliders JSK SL

Technical Specification

The slider with integral JOST series JSK 37 E or JSK 36 D fifth wheel coupling is designed for 2" king pins (50) as per 94/20/EC, DIN 74080, ISO 337 and steering wedges as per 94/20/EC, DIN 74085.

- Optimum protection against corrosion thanks to cathodic immersion coating
- Lightweight
- Suitable for all standard frame hole pattern



* XXL-Version = 1792
V = Sliding distance: ** XXL-Version = 21x50,8 = 1066,8

Technical Data

D value (kN)	Imposed load U (t)	Approval (EC SL)
152.0	20	e1 00-1151

Customer hole patterns:

For more information, see www.jost-world.com
JOST product section

Order key for JSK SL

Components and variantes

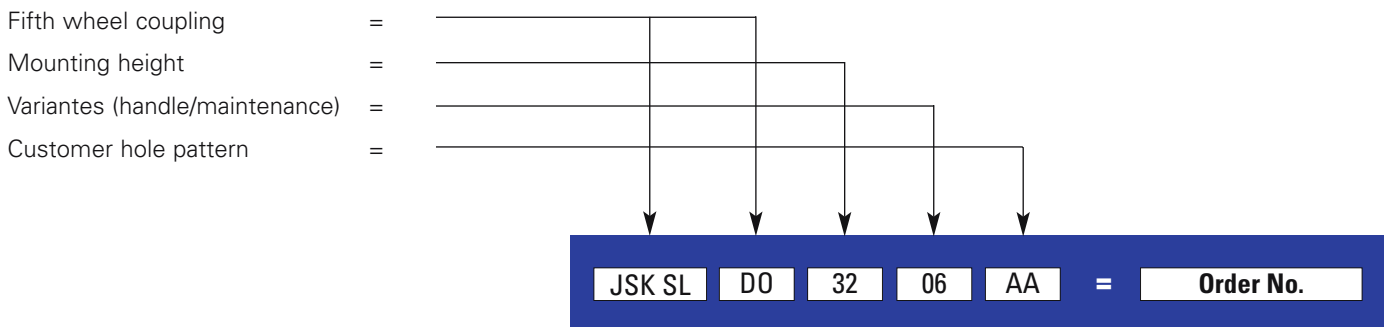
Fifth wheel coupling JSK SL	Mounting height	Variantes Handle/Maintenance	Customer hole pattern (all KTL)
DO = 36 D	32 = 173 mm	06 = Slider manual / SK	AA = Standard (without oval hole, no customer-specific pattern)
EO = 37 E	45 = 203 mm	X6 = XXL Slider manual / SK*	BC = Slider / Scania oval hole 880 / M18
	54 = 220 mm	07 = Slider manual / 37 E W	BD = Slider / Volvo oval hole 930 / M12
	73 = 263 mm	X7 = XXL Slider manual / 37 E W*	BP = Slider / Daimler oval hole 860 / M16
		X8 = XXL Slider pneumatic / SK*	CK = Slider / MAN oval hole 880 / M16
		X9 = XXL Slider pneumatic / 37 EW	CN = Slider / RVI oval hole 900 / M16
		20 = Slider pneumatic / SK	CP = Slider / DAF oval hole 880 / M16
		21 = Slider pneumatic / 37 EW	CT = Slider / Iveco oval hole 860 / M16
		D6 = Slider manual / 36D + 3 sensors	DF = XXL Slider / JOST oval hole 880 / M16
		D5 = Slider pneumatic / 36D + 3 sensors	DV = Slider / RVI oval hole 940 / M16
			CB = Slider / Volvo oval hole 930 / M14 / Huckbolt
			DR = Slider / DAF oval hole 880 / M16 / 150 / 100 / 200

* without oval hole

Explanations:

W = Low-maintenance version

Example of an order number - JSK SL DO 32 06 AA

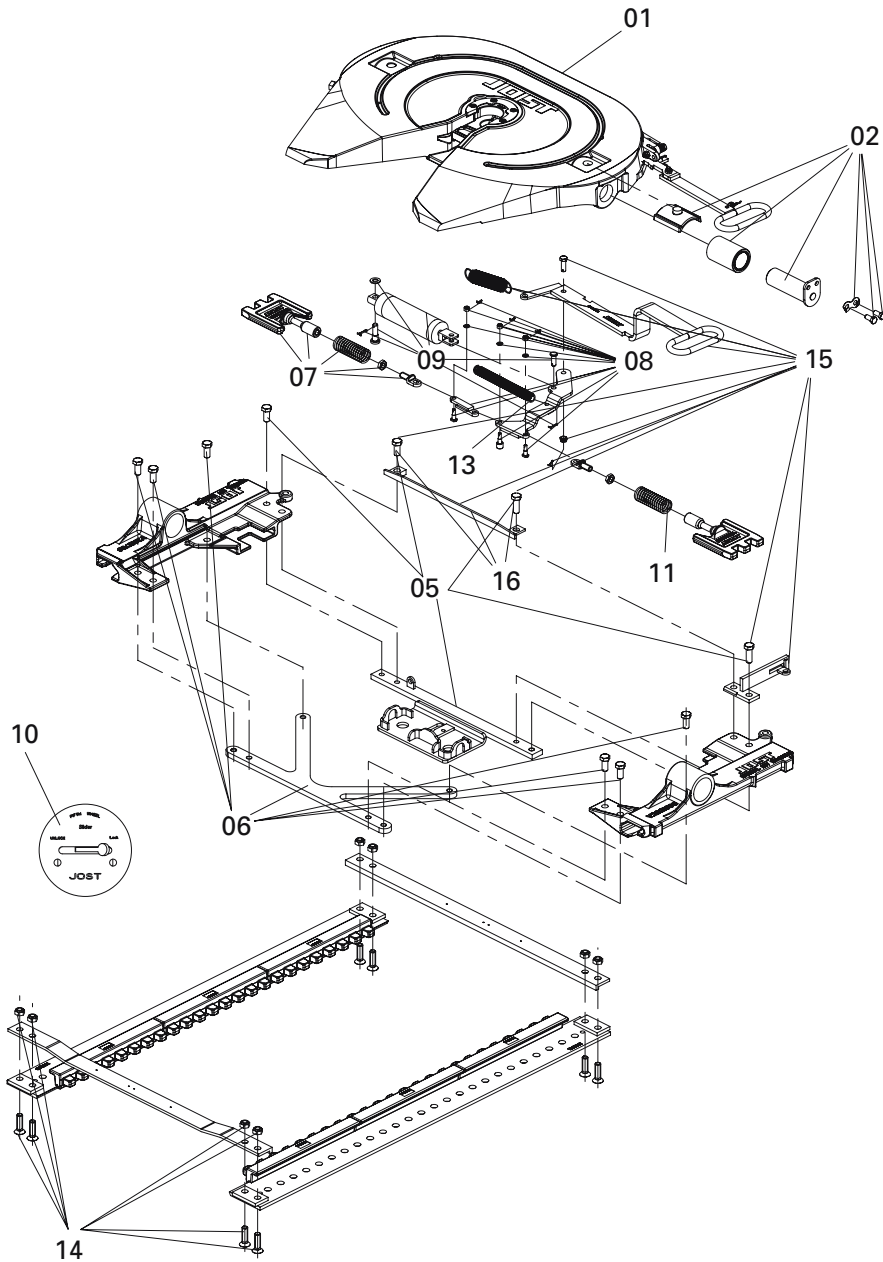


Mounting kits

Customer hole pattern	Order No.	Quantity per SL
CT	SLE 000000120	1
CK	SLE 000000120	1
CN/DV	SLE 000000120	1
BP	SLE 000000120	1
CP/DR	SLE 000000120	1
DF	SLE 000000120	2
BD	SLE 000000320	1
BC	SLE 000000220	1
CB	SLE 000000720	1

JSK SL

Spare parts



Item	Description	Remark	Order No.	per Slider	Item	Description	Remark	Order No.	per Slider
01	Fifth wheel coupling	*		1	13	Double tension spring		SLE 202610000	1
02	Split pin	**		2	14	Traverse, kit		SLE 201380020	2
05	Split pin, kit		SLE 202210020	1	15	Handle, kit H 263	for manual version	SLE 202720020	1
06	Bracing, kit		SLE 202120020	1	15	Handle, kit H 203	for manual version	SLE 202850020	1
07	Stopper, kit		SLE 202520020	2	15	Handle, kit BH 173	for manual version	SLE 202420020	1
08	Lever, kit		SLE 202300020	1	15	Handle, kit H 220	for manual version	SLE 202850020	1
09	Cylinder, kit	for pneumatic version	SLE 202410020	1	16	Bridge, kit	for manual version	SLE 202770020	1
10	Pneumatics kit	for pneumatic version	V 1021-54	1	16	Bridge, kit	for pneumatic version	SLE 203300020	1
11	Pressure spring		SLE 201330020	2					

* Spare parts of fifth wheel coupling see JSK 37 E or JSK 36 D

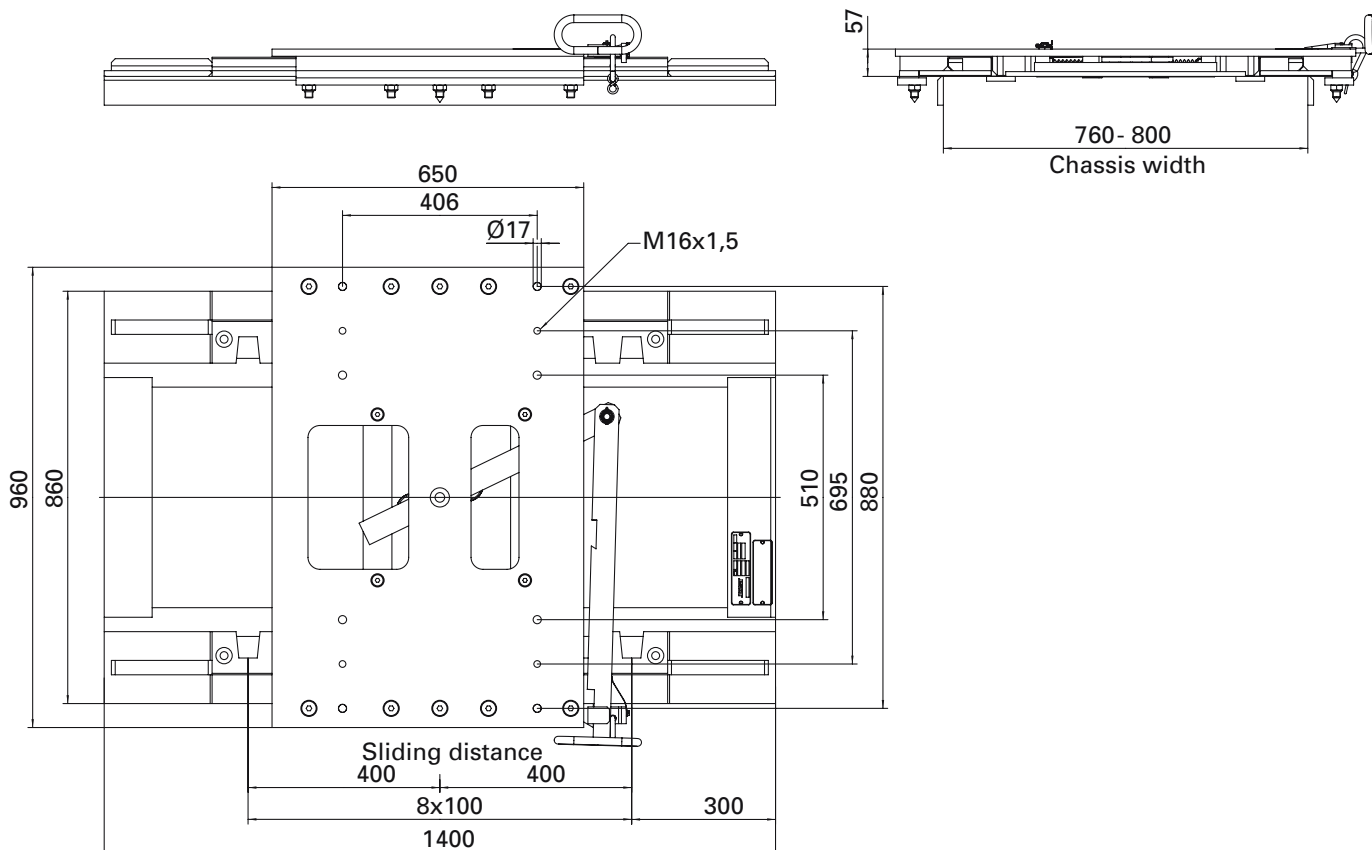
** Spare parts of split pin see JSK 37 E or JSK 36 D

Spare pedestals are not available

Sliders EV HD

Technical Specification

Slider with ISO 3842 hole pattern for 5th wheel couplings as per DIN 74084 (heavy duty fifth wheel couplings) with coupling mounting heights of up to 290 mm.



Selection table / Versions available

Order No.	Weight (kg)	D value (kN)	Imposed load U (t)	Approval (EC)
EV HD-800-6	226.0	260.0	36	e1 00-1266
EV HD-800-7*	246.0	260.0	36	-

The load data apply to use on metallised roads and for standard road conditions in Central Europe.

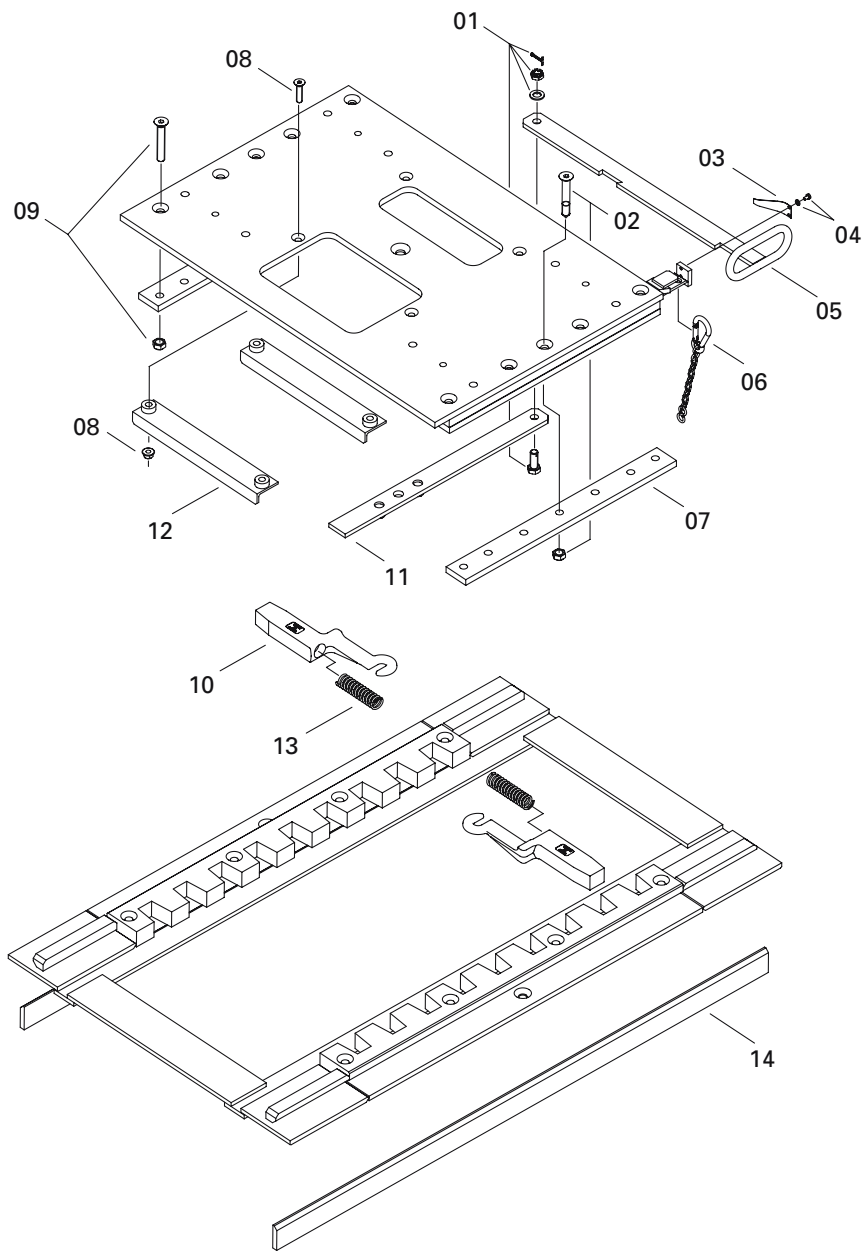
* suitable for Volvo frames, product available upon request

Mounting kits for EV HD-800-6

consisting of	for mounting	Order No.	Quantity
Hexagon bolt M14 x 1,5 x 40			20
Lock nut M14 x 1,5			20
Countersunk bolt M16 x 1,5 x 80			8
Lock nut M16 x 1,5			8
Stop block	Slider EV HD-800-6 on mounting angles	V 2021-17	4
Hexagon bolt M16 x 1,5 x 70			4
Hexagon bolt M16 x 1,5 x 40			4
Lock nut M16 x 1,5			8
Washer 17			12
Hexagon bolt M16 x 1,5 x 130			4
Stop block 15 x 15 x 100	Fifth wheel coupling on EV HD-800-6	V 2021-16	6

EV HD

Spare parts



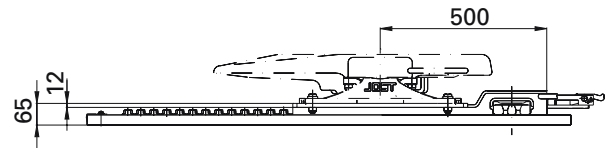
EV HD-800-6

Item	Description	Remark	Order No.	per Slider	Item	Description	Remark	Order No.	per Slider
01	Hexagon bolt	compl.	V 2021-09	1	08	Bolt kit		NTE001970000	1
02	Indicator	compl.	V 2021-01	2	09	Countersunk bolt	compl.	V 2021-02	8
03	Leaf spring		SK 1859	1	10	Bar	compl.	SLE 200511120	2
04	Hexagon bolt	compl.	V 2021-04	2	11	Lever	compl.	V 2005-30	1
05	Handle	compl.	SLE 200527520	1	12	Lever guide	compl.	SLE 200510720	1
06	Spring hook with chain		V 1021-29	1	13	Pressure spring		SLE 200510000	2
07	Bar		V 2005-52	2	14	Bar		V 2005-06	2

Sliders EV M

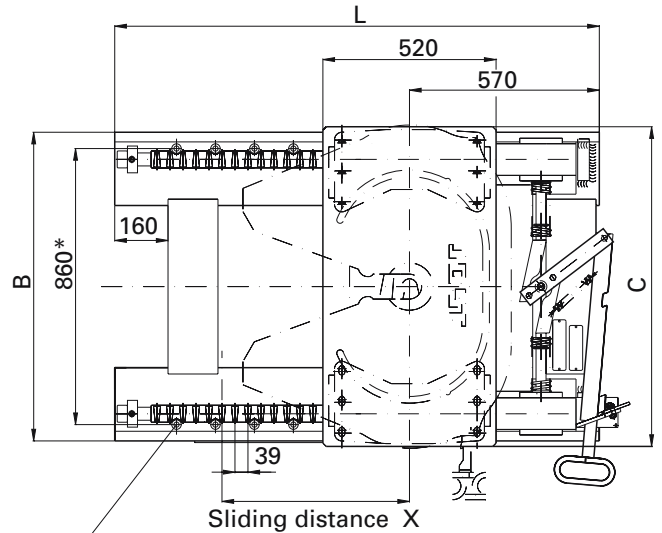
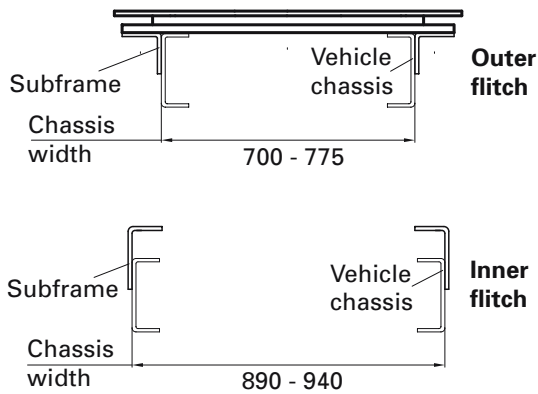
Technical Specification

Slider with connection hole pattern as per ISO 3842 for fifth wheel couplings as per DIN 74081 with fifth wheel coupling mounting heights of up to 250 mm, especially for the JSK 42 with DIN bearing.



Mounting on the vehicle chassis

Suitable for chassis with outer flitches having a chassis width of 700-775 mm. In the case of chassis with inner flitches having a chassis width of 890-940 mm.



* recommended oval hole pattern
10 x countersink on each side
for countersunk bolts M14

Selection table / Versions available

Order No.	A (mm)	B (mm)	C (mm)	L (mm)	X (mm)	Drill hole per side Y	Weight (kg)	D value (kN)	Imposed load U (t)	Approval (EC)
EV M		927	960	1445	546	*	186.0	133.0	18	e1 00-0413

* Without holes

For further information, see the mounting and operating instructions.

General information

Order information

Available versions of sliders are specified in the appropriate selection tables by means of order numbers.

Scope of supply, storage, transport, handling

Included in the supply is the slider as per the order reference number. If you do not intend to unpack and fit the sliders immediately on delivery, please store them in a dry place. Sliders are transported on pallets. We recommend the use of a lifting truck, forklift or crane for handling pallets.

The load data apply to use on metalled roads and for standard road conditions in Central Europe. If they are used in other conditions please ask us.

Further documentation

You can find further technical details and information (e.g. mounting and operating instructions) at www.jost-world.com.

Terms of guarantee

Guarantee

JOST guarantees perfect dimensional and material conditions, as well as the correct functioning of the sliders for a period of three years or 500,000 km, whichever arises first.

Claims under guarantee

Requirements for claims under guarantee are:

- Compliance with the instructions on the technical data sheets provided by JOST, proof of correct storage and compliance with our mounting, operating and maintenance instructions using genuine JOST spare parts.
- Immediate communication of your claim and, where necessary, the return of the faulty products to JOST.
- The immediate and full completion of the technical questionnaire provided by JOST.
- Giving JOST the opportunity to investigate the problem and/or carry out tests on site, as well as measures to reduce damage according to the estimation of JOST.

Exclusions to the guarantee

- The company ordering products from JOST is responsible for deciding on their suitability for the intended application.
- Damage caused by error during coupling and for subsequently modified sliders.
- Claims under the guarantee are restricted to repair or replacement. Claims for consequential damage are excluded.
- The period of guarantee commences with the transfer of risk.
- Our guarantee terms for fifth wheel couplings and the General Terms of Business of JOST also apply.





6 2" and 3 1/2" king pins

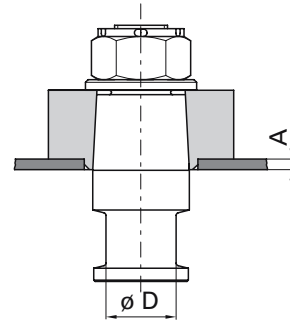
The king pin is a component of the coupling between the semi-trailer and the tractor unit.

Different designs make it possible to install king pins onto a trailer quite easily. JOST king pins satisfy the most stringent safety requirements. They are produced from high-quality, coated, forged blanks which are tested for the complete absence of cracks. Exchanging or converting our king pins is both quick and easy.

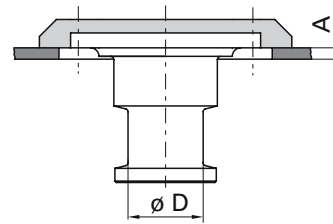
The king pins can be replaced or converted quickly and easily.

National regulations (in Germany §§19, 20, 21 of the "StVZO" Motor Vehicle Safety Standards) and JOST mounting and operating instructions must be observed for the installation, conversion and replacement of king pins.

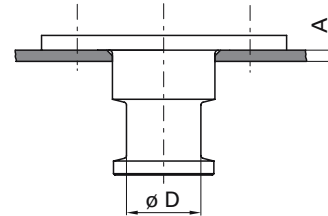
JOST king pin designs



Pins for retention plates with cone-shaped locating hole (flange).



Pins for dish-shaped retention plates (plate). The pin is bolted to the retention plate and is easy to replace from underneath. 2" and 3 1/2" pins can be interchanged on some types.



Pins without a retention plate. The pin is bolted to the top plate.

All the designs satisfy the requirements of the currently valid standards:

2" king pins ($\text{ø } D = 2''$): dimensions as per Directive 94/20/EC – Class H50, DIN 74080 and ISO 337.

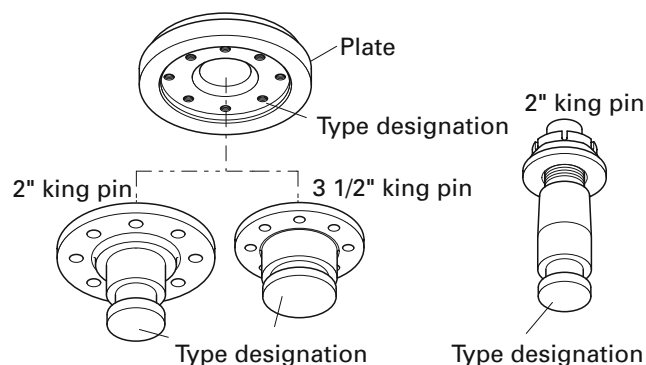
3 1/2" king pins ($\text{ø } D = 3 \frac{1}{2}''$): dimensions as per DIN 74083 and ISO 4086

The retention plate is welded to the skid plate. The relevant permitted load (D value) depends on the type of king pin and the skid plate thickness (A) in use and its bracing. Therefore, JOST installation instructions must be complied with. (Please also see our instructions for mounting and operation.)

Marking

The respective type designation is stamped into the pin and the retention plate. The type designation must match on both components. If several type designations are stamped into

the retention plate, the pin may be changed for the type designation stamped into the retention plate. Example: switching from 2" to 3 1/2" pins. Legal regulations must be observed.



Type key

KZ	08	08
	10	10
	11	12
	13	16
	14	
King pins	15	
Series	20	
Skid plate thickness A		
08	A = 8 mm	
10	A = 10 mm	
12	A = 12 mm	
16	A = 16 mm	

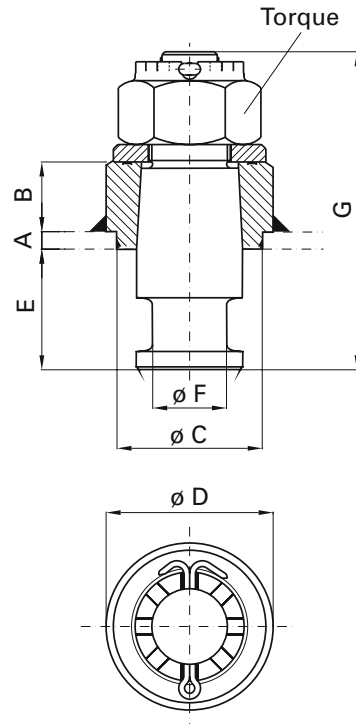
Product overview

2" king pins for use with 2" fifth wheel couplings as per Directive 94/20/EC, ECE R55 as well as DIN 74081.
 3 1/2" king pins for use with 3 1/2" fifth wheel couplings as per DIN 74084 and ISO 3842.

All king pins are suitable for use in self-steering axle systems.

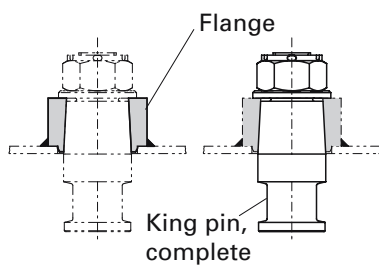
Design	D value (kN)	King pin (D)	Series
	152	2"	KZ 1108-1112
	260	3 1/2"	KZ 1116
	152	2"	KZ 2816
	162	2"	KZ 1008-1012
	170	2"	KZ 1516
	162	3 1/2"	KZ 1410-1412
	320	3 1/2"	KZ 1016
	170	3 1/2"	KZ 1416
	105	2"	KZ 1312

KZ 1108 - 1116



Selection table / Versions available

Order No. King pins, complete	D value (kN)	A (mm)	B (mm)	C (mm)	D (mm)	E (mm)	F (mm)	G (mm)	Approval (EC)	Torque (Nm)
KZ 1108	152	8	52	∅ 100	∅ 115	84	2"	219	e1 00-0146	1200
KZ 1110	152	10	50	∅ 115	∅ 115	84	2"	219	e1 00-0146	1200
KZ 1112	152	12	48	∅ 100	∅ 115	84	2"	219	e1 00-0146	1200
KZ 1116	260	16	80	∅ 140	∅ 160	74	3 1/2"	228	e1 00-0151	1500

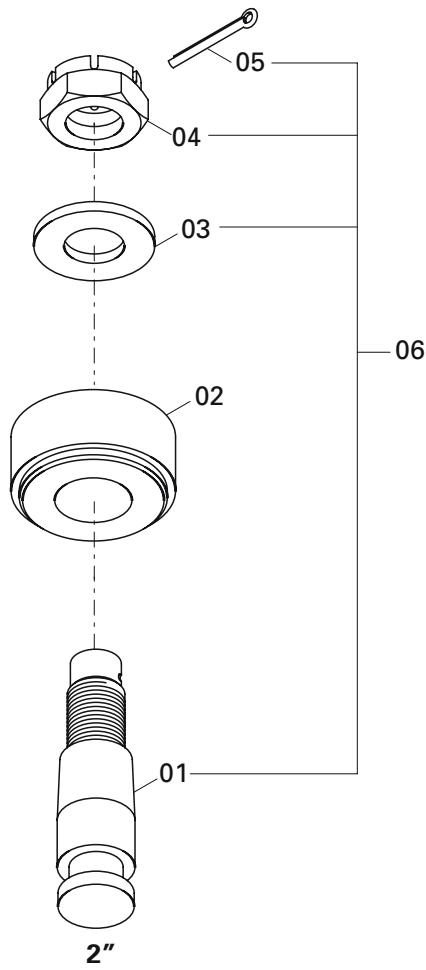


Delivery includes

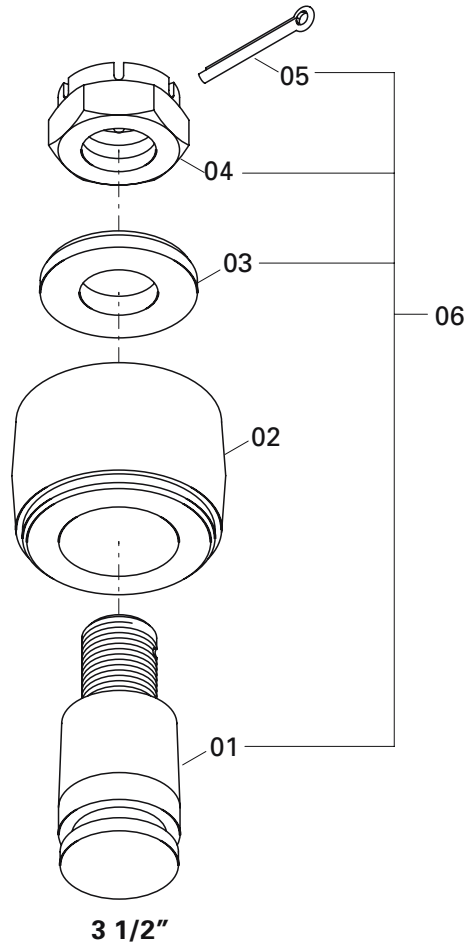
- Pin complete / flange

KZ 1108 - 1120

Spare parts



KZ 1108-1112

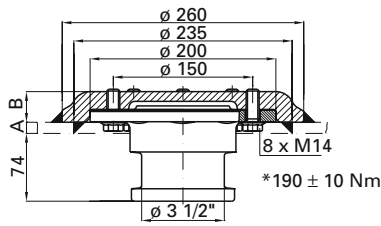


KZ 1116-1120

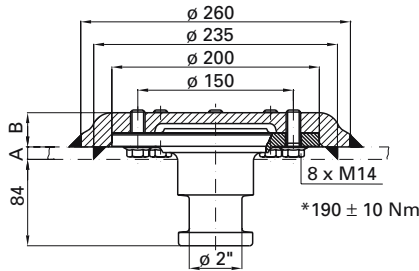
Item	Description	Remark	Order No.	per King pin
01	Pin	for KZ 1120	KZ 1120-01	1
01	Pin	for KZ 1116	KZ 1116-01	1
01	Pin	for KZ 1108, KZ 1110, KZ 1112	KZ 1112-01	1
02	Mounting flange	for KZ 1112	KZ 1112-02	1
02	Mounting flange	for KZ 1110	KZ 1110-02	1
02	Mounting flange	for KZ 1116	KZ 1116-02	1
02	Mounting flange	for KZ 1108	KZ 1108-02	1
02	Mounting flange	for KZ 1120	KZ 1120-02	1
03	Washer	for KZ 1116, KZ 1120	KZE 1116-03	1
03	Washer	for KZ 1108, KZ 1110, KZ 1112	KZE 1112-03	1
04	Castle nut	for KZ 1108, KZ 1110, KZ 1112	KZE 1112-04	1
04	Castle nut	for KZ 1116, KZ 1120	KZE 1116-04	1
05	Split pin	for KZ 1116, KZ 1120	KZE 1116-05	1
05	Split pin	for KZ 1108, KZ 1110, KZ 1112	KZE 1112-05	1
06	King pin	with 03, 04 + 05 for KZ 1108, KZ 1110, KZ 1112	KZ 1112-06	1
06	King pin	with 03, 04 + 05 for KZ 1120	KZ 1120-06	1
06	King pin	with 03, 04 + 05 for KZ 1116	KZ 1116-06	1

KZ 1008 - 1012, KZ 1410 - 1412

KZ 1412



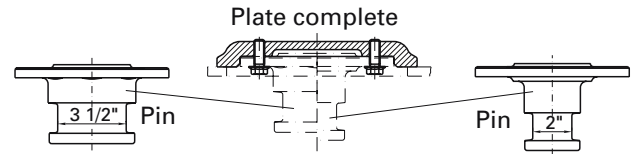
KZ 1012



Delivery includes

- Pin / plate, complete

* Starting torque



KZ 1412-01

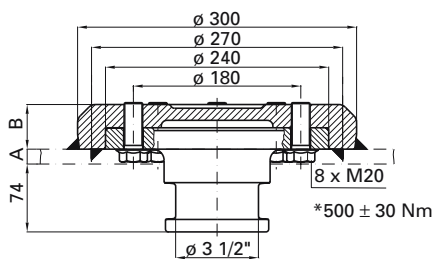
KZ 1012-01

Selection table / Versions available

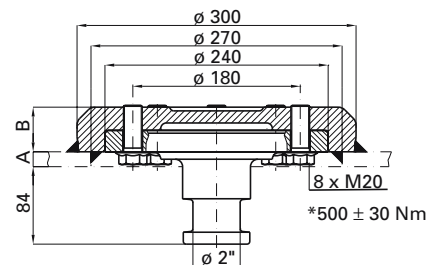
Order No. King pins, complete	D value (kN)	A (mm)	B (mm)	Approval (EC)
KZ 1008	162.0	8	37	e1 00-0145
KZ 1010	162.0	10	34	e1 00-0145
KZ 1012	162.0	12	33	e1 00-0145
KZ 1410	162.0	10	34	e1 00-0147
KZ 1412	162.0	12	33	e1 00-0147

KZ 1016, 1516

KZ 1016



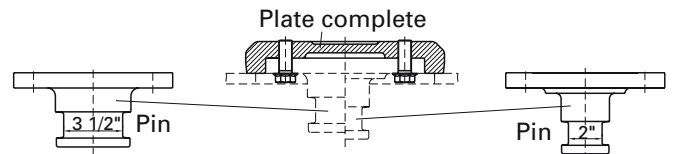
KZ 1516



Delivery includes

- Pin / plate, complete

* Starting torque



KZ 1016-01

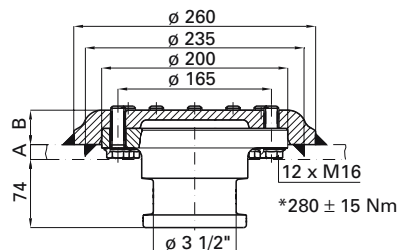
KZ 1516-01

Selection table / Versions available

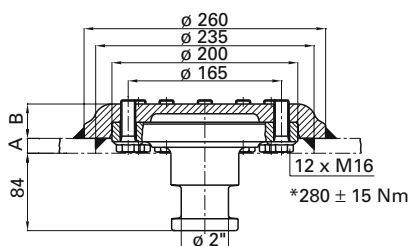
Order No. King pins, complete	D value (kN)	A (mm)	B (mm)	Approval (EC)
KZ 1516	170.0	16	48	e1 00-0148
KZ 1016	320.0	16	48	e1 00-0150

KZ 1416, 2816

KZ 1416



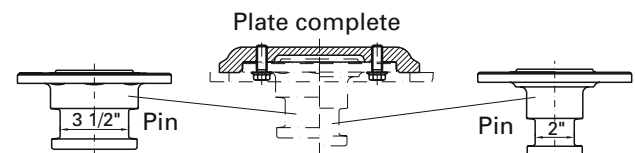
KZ 2816



Delivery includes

- Pin / plate, complete

* Starting torque



KZ 1416-01

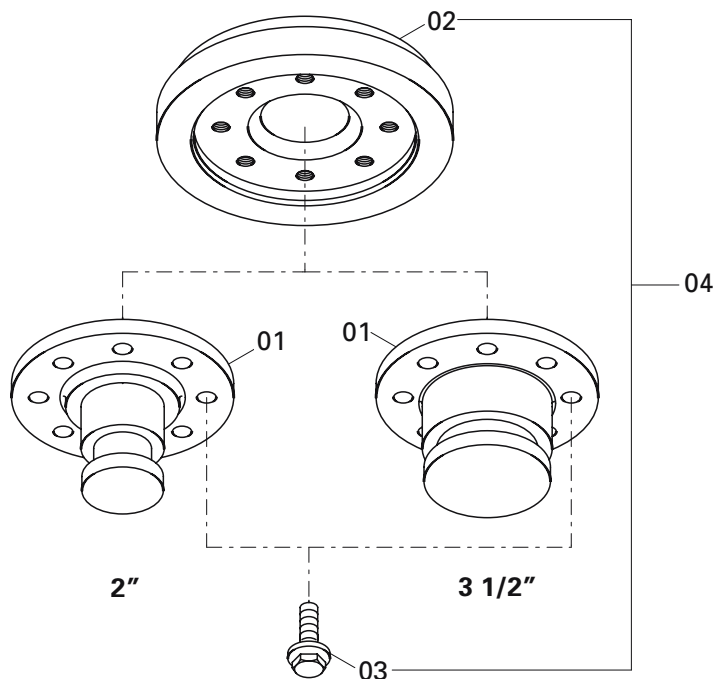
KZ 2816-01

Selection table / Versions available

Order No. King pins, complete	D value (kN)	A (mm)	B (mm)	Approval (EC)
KZ 2816	152.0	16	37	-
KZ 1416	170.0	16	37	e1 00-1572

KZ 10..., 14..., 15..., 28...

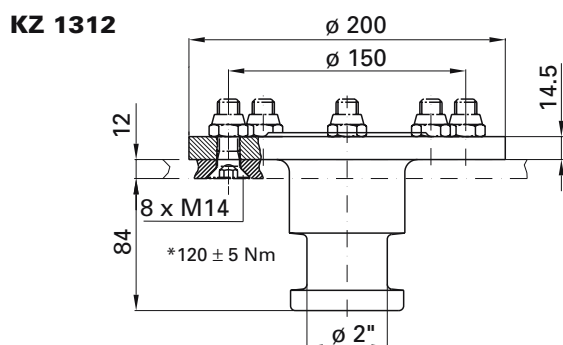
Spare parts



KZ 10..., KZ 2816, KZ 1516

Item	Description	Remark	Order No.	per King pin
01	Pin	for KZ 1416	KZ 1416-01	1
01	Pin	for KZ 1016	KZ 1016-01	1
01	Pin	for KZ 2816	KZ 2816-01	1
01	Pin	for KZ 1516	KZ 1516-01	1
01	Pin	for KZ 1008, KZ 1010, KZ 1012	KZ 1012-01	1
01	Pin	for KZ 1410, KZ 1412	KZ 1412-01	1
02	Retention plate	for KZ 2816, KZ 1416	KZ 1416-02	1
02	Retention plate	for KZ 1012, KZ 1412	KZ 1012-02	1
02	Retention plate	for KZ 1010, KZ 1410	KZ 1010-02	1
02	Retention plate	for KZ 1008	KZ 1008-02	1
02	Retention plate	for KZ 1516, KZ 1016	KZ 1016-02	1
03	Bolt	for KZ 1516, KZ 1016	KZE 1016-06	8
03	Bolt	for KZ 2816, KZ 1416	KZE 1416-03	12
03	Bolt	for KZ 1008, KZ 1010, KZ 1012, KZ 1410, KZ 1412	KZE 1012-03	8
04	Retention plate	with 03 for KZ 1008	KZ 1008-04	1
04	Retention plate	with 03 for KZ 1010, KZ 1410	KZ 1010-04	1
04	Retention plate	with 03 for KZ 1012, KZ 1412	KZ 1012-04	1
04	Retention plate	with 03 for KZ 2816, KZ 1416	KZ 1416-04	1
04	Retention plate	with 03 for KZ 1516, KZ 1016	KZ 1016-04	1
05	Bolt kit	with 03 für KZ 1008, KZ 1010, KZ 1012, KZ 1410, KZ 1412	KZ 1012-006	1

KZ 1312



Selection table / Versions available

Order No. King pins	D value (kN)	Approval (D)
KZ 1312	105.0	F 3458

Mounting kit = KZE 1312-05, consisting of 8 screws with self-locking nuts (please order separately).

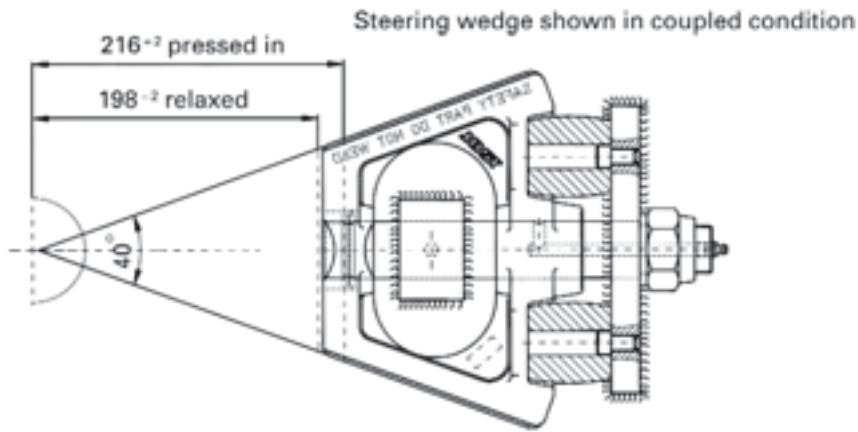
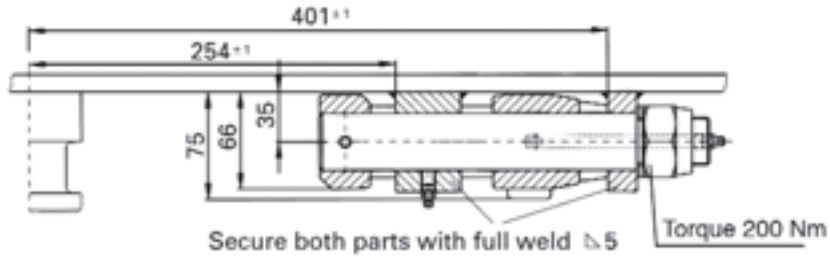
* Starting torque

Accessories

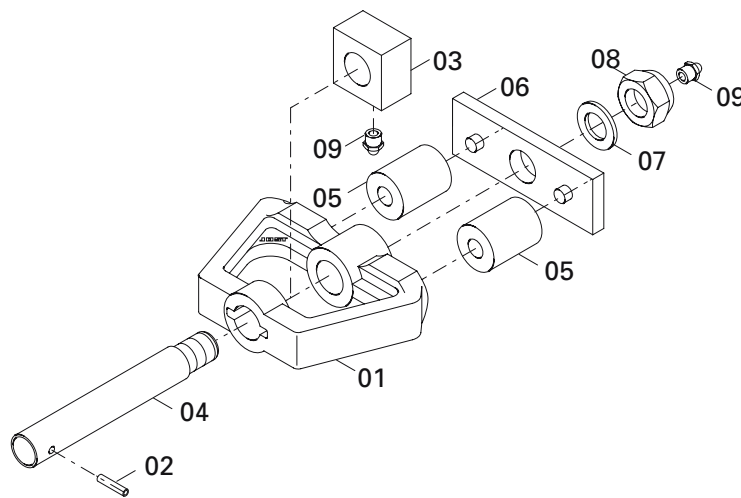
Spring-loaded steering wedge

SK 2122-40

The steering wedge for forced steering semi-trailers complies with DIN 74085. It is designed for use in 2" and 3 1/2" fifth wheel coupling plates as per DIN 74081 or 74084. The steering wedge meets the requirements for piggy back transport.



Spare parts



Item	Description	Remark	Order No.	per steering wedge	Item	Description	Remark	Order No.	per steering wedge
01	Steering wedge		SK 2122-41	1	06	Plate		SK 2122-44	1
02	Clamping pin		SK 2122-46	1	07	Washer		SK 2122-48	1
03	Block		SK 2122-42	1	08	Lock nut		SK 2122-49	1
04	Bar		SK 2122-43	1	09	Taper grease nipple		SK 2121-02	2
05	Rubber suspension		SK 2122-47	2					

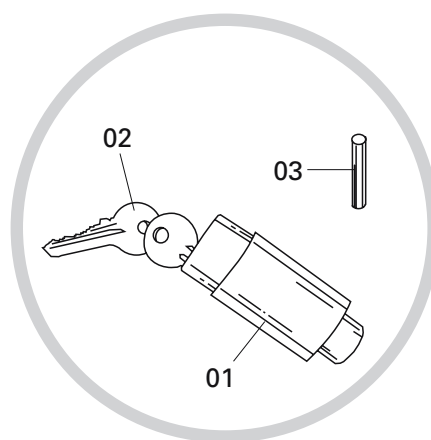
Accessories

King Pin Lock for semi-trailer

DS 2000

DS 2000 G*

Low-weight, handy, safe. For all 2" king pins. Completely protects not only the 2" neck, but all mounting bolts. Corrosion-resistant. Cylinder lock of high quality. Locking with normal or master keys possible.



Item	Order No.
01	DS 1000-03
02	DS 1000-08
03	DS 1000-12

When reordering keys or cylinder locks for locking systems, please state the code number or send in the key.

* G = cylinders where keys are alike

General information

Order information

The available ranges of king pins are specified in the respective selection tables by means of order reference numbers.

Scope of storage, transport and handling

If you do not intend to unpack and fit the king pins immediately on delivery, please store them in a dry place.

Further documentation

You can find further technical details and information (e.g. mounting and operating instructions) at www.jost-world.com.



7 Landing gear Modul

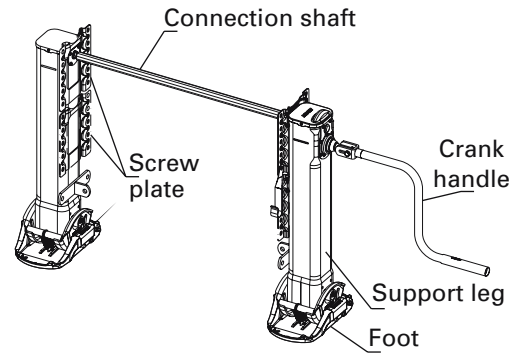
The Modul series of telescopic landing gear is extremely versatile. Thanks to its modular construction with variable mounting and operating heights, various crank handles and connection shaft lengths, plus five different foot types, all client requirements can be catered for.

The Modul C range consists of various landing gear which are designed for special applications.

Both ranges offer practical product advantages: the integrated gearbox has optimum protection, and requires minimum force to be applied on the crank handle in both directions. At the same time, Modul offers a huge increase in lift of up to 120 mm combined with smaller dimensions for fitting. It goes without saying that the telescopic landing gear is extremely sturdy and complies with the strict AAR standard.

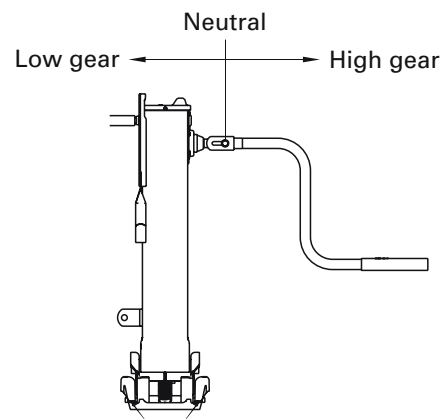
JOST telescopic landing gear complies with the Equipment Safety Law, Machine Regulations (9 GSGV) and the associated EC Directives for machinery (89/392/EEC, 91/386/EEC, 93/44/EEC, 93/68/EEC). The relevant machine safety standards also apply (EN 292 Parts 1 and 2, EN 294 and EN 349). In Germany, the relevant "TÜV" Safety Regulations and "StVZO" Motor Vehicle Safety Standards are to be observed. The telescopic landing gear is always to be used in conjunction with the instructions for use issued by the manufacturer of the relevant drawbar trailer.

Design/features



The coupling of two sets of landing gear using a connection shaft ensures the even raising and lowering of the semi-trailer.

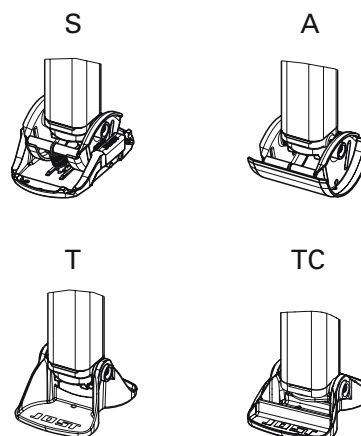
Drive settings



High gear allows the support tube to be moved in and out quickly without a load.

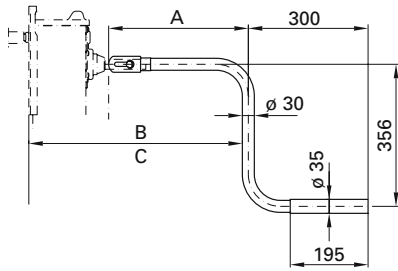
Support feet

The Modul series of telescopic landing gear are available with a range of different feet: S, A, T and TC foot.



Crank handles

Various crank handle lengths for individual adjustment to the vehicle width.



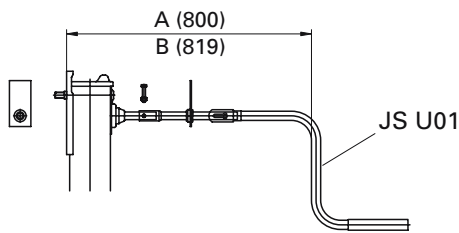
Order No.	A	B (Low gear)	C (High gear)
JS U01	350	534	553
JS U02	415	599	618
JS U03	450	634	653
JS U04	480	664	683
JS U05	520	704	723
JS U07	570	754	773
JS U08	620	804	823

Connection shaft

Order No.	E (Length of connection shaft)
JS L01	1340
JS L02	1450
JS L03	1470
JS L04	1500
JS L05	1505
JS L06	1575
JS L07	1605
JS L08	1635
JS L09	1700
JS L10	1790

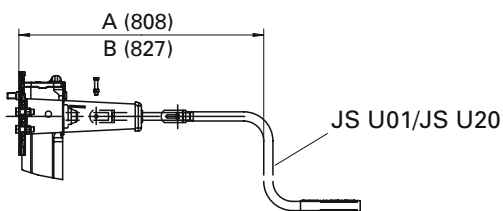
Crank extension

JS E030.001: The crank extension support is welded to the semi-trailer chassis.



JS E030.004: The exterior chassis control is bolted to the landing gear.

Assembly only possible with back plate above (01) or double back plate (03).



Order No.	A (Low gear)	B (High gear)	Operation
JS E030.001	800	819	one-sided
JS E030.004	808	827	one-sided
JS E030.006	808	827	two-sided

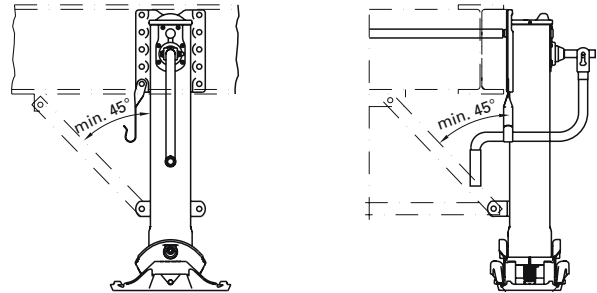
Mounting kits for bracing

The shear and transverse forces that occur mean that bracing is required for the landing gear.

Mounting kit (without bracing):

Order No.	Description
JS E020.001	Mounting kit (standard)
JS E020.002	Mounting kit (double plate)
JS E020.003	Mounting plate for tandem trailer

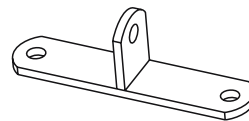
The following illustration shows an example of bracing:



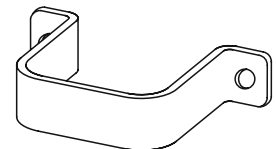
Accessories

Bolt-on brackets for individual adjustment.

Order No.	Description
JS E010.001	Bolt-on bracket, loose
JS E010.002	Clamp for bolt-on bracket
JS E020.004	Nut and bolt for clamp



JS E010.001



JS E010.002

General technical data for landing gear

	Lift by one turn of the crank (mm)
Low gear	0,9
High gear	15,0

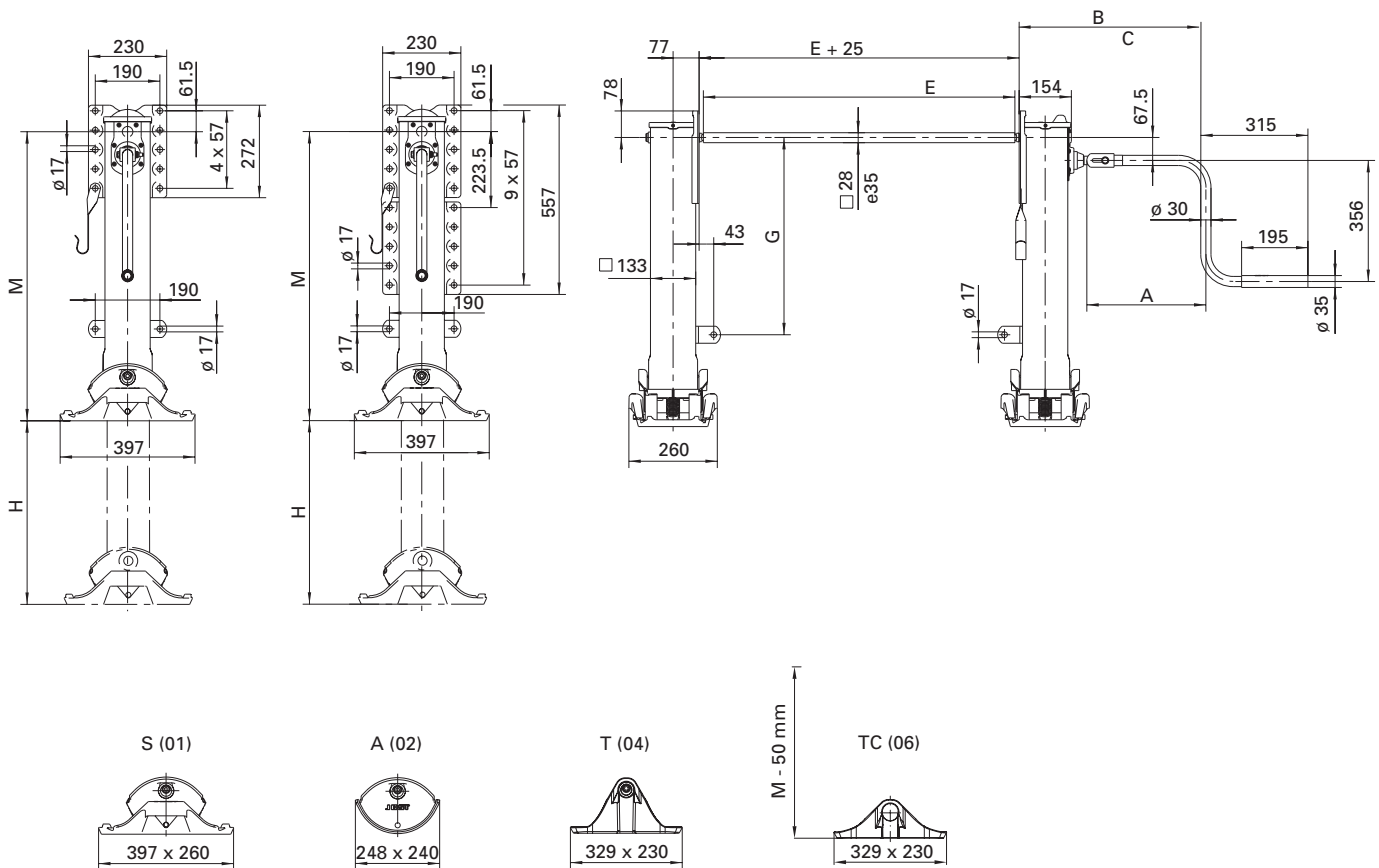
	Landing gear (per kit) (t)
Lifting capacity	24
Static load	50

Crank force in low gear:

Load (t)	Crank force
16	210N

Landing gear Modul B

Technical Specification



The drift for the S and A feet is ± 140 mm.

Components and order numbers

Please order separately!

M			O	D	U	L
Mounting height			Back plate	Type of feet	Crank w. crank parking hook	Connection shaft
M	H	G			A	E
01 = 900	560	630	01 = Position top	00 = without foot	00 = without crank	00 = without
02 = 850	520	580	02 = Position bottom*	mounted	01 = 350	01 = 1340
03 = 800	470	530	03 = Double plate*	01 = S foot	02 = 415	02 = 1450
04 = 750	430*	480		02 = A foot	03 = 450	03 = 1470
05 = 700	400*	430		04 = T foot	04 = 480	04 = 1500
06 = 650	350*	380		06 = TC foot**	05 = 520	05 = 1505
reinforced				not mounted	07 = 750	06 = 1575
21 = 900	470	630		91 = S foot	08 = 620	07 = 1605
22 = 850	430	580		92 = A foot		08 = 1635
23 = 800	400	530		94 = T foot		09 = 1700
24 = 750	350*	480		96 = TC foot**		10 = 1790

* **no brace lugs** are supplied for the **combination of mounting heights 04, 05, 06, 24** with **back plate 02, 03**.

See accessories for loose brace lugs.

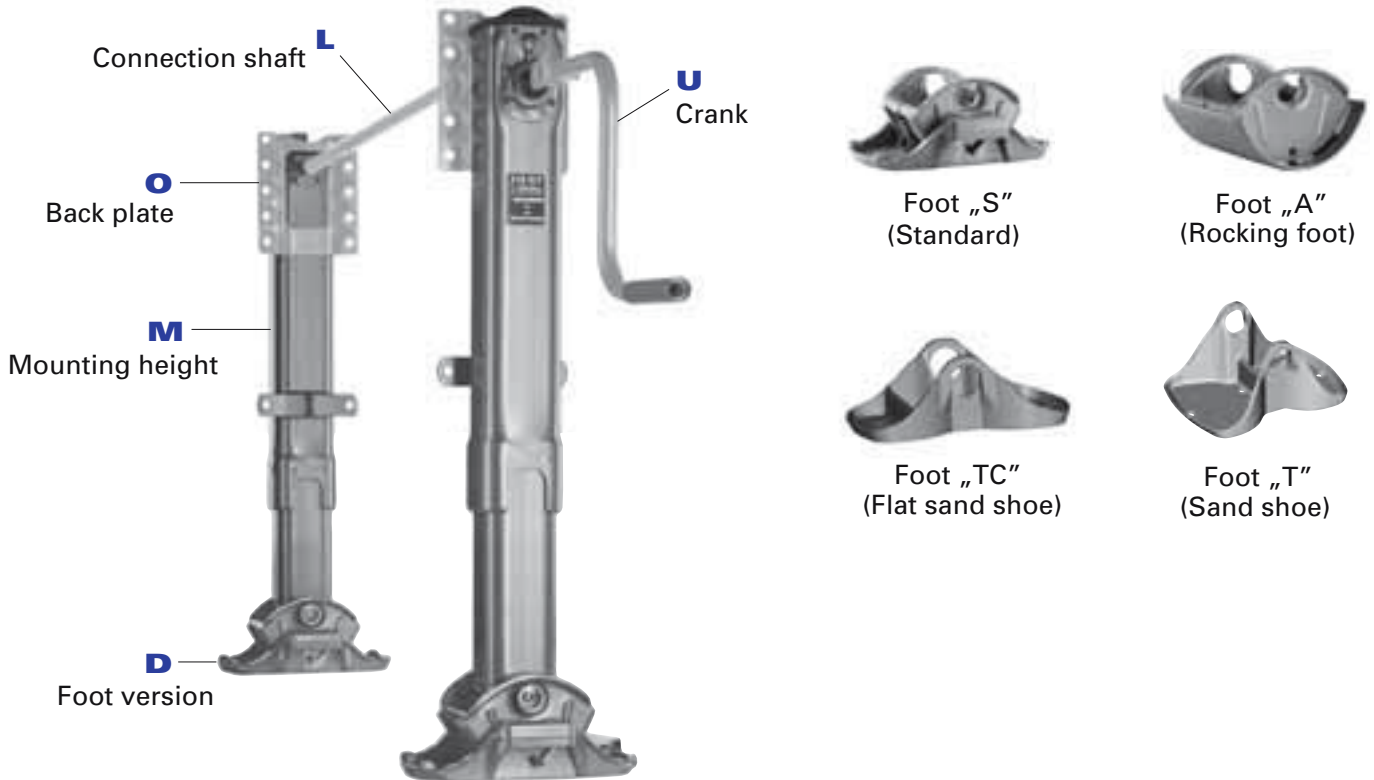
** can be used without restriction on Modul legs produced after week 22/02. On Modul legs produced before that the angle of movement is reduced by $\pm 10^\circ$.

Landing gear with foot "R" (Wheels) please refer to MODUL CW (see page 145)

Individual components

The module components **U** (crank with crank parking hook) and **L** (connection shaft) must be ordered separately and are available individually. The type of feet **D** are likewise available separately; see page 115.

Modul B – components and foot versions



Example of an order number for one set

The complete order number to order the Modul is made up of the order numbers of the various components. First choose **the individual components**. Each component has a 2-figure order number. List **all the components (in other words all the order numbers)** in sequence.

M	Mounting height 800 mm	= 03	_____	<i>Please order separately!</i>
O	Back plate, top	= 01	_____	
D	Foot version (version A)	= 02	_____	
U	Crank length 350 mm	= 01	_____	
L	Connection shaft 1470 mm	= 03	_____	

M . O . D . U . L

Modul	B	0	3	0	1	-	0	2	0	1	0	3	=	Order No.
-------	---	---	---	---	---	---	---	---	---	---	---	---	---	-----------



Example of an order number for a single leg

If you order a **single leg** the **connection shaft** will not be supplied. In this case enter an **R** for right drive or **L** for left driven under **L**.

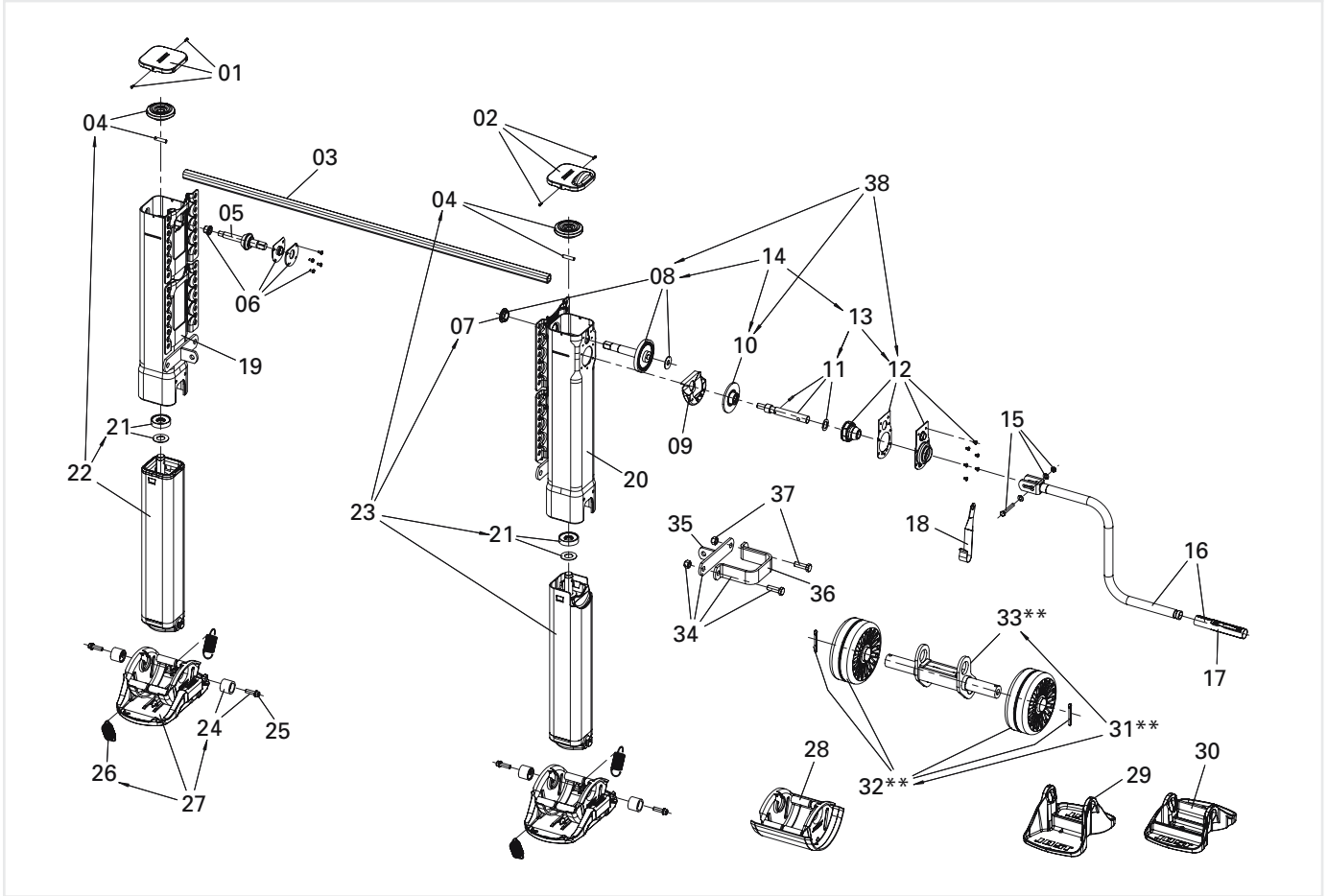
M	Mounting height 800 mm	= 03	_____	<i>Please order separately!</i>
O	Back plate, top	= 01	_____	
D	Foot version (version A)	= 02	_____	
U	Crank length 350 mm	= 01	_____	
L	Right-hand (R) or left-hand (L) side	= R or L	_____	

M . O . D . U . L

Modul	B	0	3	0	1	-	0	2	0	1	R		=	Order No.
-------	---	---	---	---	---	---	---	---	---	---	---	--	---	-----------

Modul B

Spare parts



Item	Description	Remark	Order No.	per Kit
01	Cover, left with bolts		JS E0046100	1
02	Cover, right + bolts		JS E0046300	1
03	see individual components			
04	Bevel gear with bolt	from 020719/0126097	JS E0058600	2
05	Shaft		JS E0001500	1
06	Bearing	compl.	JS E0046200	1
07	Shaft		JS E0001800	1
08	Shaft with bearing	a	JS E0058700	1
09	Grease tank		JS E0002000	1
10	Gear wheel	a	JS E0055800	1
11	Crank shaft	compl.	JS E0046500	1
12	Bearing holder	compl. a	JS E0058800	1
13	Crankshaft and bearing holder	compl. with 11 + 12, a	JS E0056600	1
14	Drive	compl. with 08, 10 + 13, a	JS E0083700	1
15	Bolts, washers, nuts		JS E0043100	1
16	see individual components			
17	Crank bushing		JS E0042700	1
18	Crank parking hook	for crank 350 mm, (JS U01), b	JS E0040200	1
18	Crank parking hook	for crank 415-480 mm, (JS U02-JS U04), b	JS E0040201	1
18	Crank parking hook	for crank 520-620 mm (JS U05-JS U08), b	JS E0040202	1
19	Mh-01/900 shaft left	Plate A, top	JS E0031800	1
19	Mh-02/850 shaft left	Plate A, top	JS E0031801	1
19	Mh-03/800 shaft left	Plate A, top	JS E0031802	1
19	Mh-04/750 shaft left	Plate A, top	JS E0031803	1
19	Mh-05/700 shaft left	Plate A, top	JS E0031804	1
19	Mh-06/650 shaft left	Plate A, top	JS E0031805	1
19	Mh-01/900 shaft left	Plate A, bottom	JS E0031300	1
19	Mh-02/850 shaft left	Plate A, bottom	JS E0031301	1
19	Mh-03/800 shaft left	Plate A, bottom	JS E0031302	1
19	Mh-04/750 shaft left	Plate A, bottom	JS E0031303	1
19	Mh-05/700 shaft left	Plate A, bottom	JS E0031304	1
19	Mh-06/650 shaft left	Plate A, bottom	JS E0031305	1
19	Mh-01/900 shaft left	Double plate	JS E0030800	1
19	Mh-02/850 shaft left	Double plate	JS E0030801	1
19	Mh-03/800 shaft left	Double plate	JS E0030802	1
19	Mh-04/750 shaft left	Double plate	JS E0030803	1
19	Mh-05/700 shaft left	Double plate	JS E0030804	1
19	Mh-06/650 shaft left	Double plate	JS E0030805	1

Item	Description	Remark	Order No.	per Kit
20	Mh-01/900 shaft right	Plate A, top	JS E0028600	1
20	Mh-02/850 shaft right	Plate A, top	JS E0028601	1
20	Mh-03/800 shaft right	Plate A, top	JS E0028602	1
20	Mh-04/750 shaft right	Plate A, top	JS E0028603	1
20	Mh-05/700 shaft right	Plate A, top	JS E0028604	1
20	Mh-06/650 shaft right	Plate A, top	JS E0028605	1
20	Mh-01/900 shaft right	Plate A, bottom	JS E0029700	1
20	Mh-02/850 shaft right	Plate A, bottom	JS E0029701	1
20	Mh-03/800 shaft right	Plate A, bottom	JS E0029702	1
20	Mh-04/750 shaft right	Plate A, bottom	JS E0029703	1
20	Mh-05/700 shaft right	Plate A, bottom	JS E0029704	1
20	Mh-06/650 shaft right	Plate A, bottom	JS E0029705	1
20	Mh-01/900 shaft right	Double plate	JS E0029200	1
20	Mh-02/850 shaft right	Double plate	JS E0029201	1
20	Mh-03/800 shaft right	Double plate	JS E0029202	1
20	Mh-04/750 shaft right	Double plate	JS E0029203	1
20	Mh-05/700 shaft right	Double plate	JS E0029204	1
20	Mh-06/650 shaft right	Double plate	JS E0029205	1
21	Axial bearing with washer		JS E0066401	2
22	Mh-01/900 inner tube l. + spindle	with 21 + 04	JS E0056401	1
22	Mh-02/850 inner tube l. + spindle	with 21 + 04	JS E0056402	1
22	Mh-03/800 inner tube l. + spindle	with 21 + 04	JS E0056403	1
22	Mh-04/750 inner tube l. + spindle	with 21 + 04	JS E0056404	1
22	Mh-05/700 inner tube l. + spindle	with 21 + 04	JS E0056405	1
22	Mh-06/650 inner tube l. + spindle	with 21 + 04	JS E0056406	1
23	Mh-01/900 inner tube r. + spindle	with 21, 07 + 04	JS E0056201	1
23	Mh-02/850 inner tube r. + spindle	with 21, 07 + 04	JS E0056202	1
23	Mh-03/800 inner tube r. + spindle	with 21, 07 + 04	JS E0056203	1
23	Mh-04/750 inner tube r. + spindle	with 21, 07 + 04	JS E0056204	1
23	Mh-05/700 inner tube r. + spindle	with 21, 07 + 04	JS E0056205	1
23	Mh-06/650 inner tube r. + spindle	with 21, 07 + 04	JS E0056206	1
24	Nut and bolt		JS E0043300	2
25	Bolt		JS E0055300	4
26	Spring		JS E0012900	4
27	S foot	compl. with 24 + 26	JS D01	2
28	A foot	compl. with 24	JS D02	2
29	T foot	compl. with 24	JS D04	2
30	TC foot	compl. with 24*	JS D06	2
31	R foot	compl. with 24, 32 + 33*	JS D03	2
32	Wheels with split pins**		JS E0062200	2
33	Wheel holder**	JS E0067300	2	
34	Clamp with angle	with 35, 36, 37	JS E010.010	2
35	Angle		JS E010.001	2
36	Clamp		JS E010.002	2
37	Nut and bolt		JS E020.004	2
38	Drive repair kit	for Modul 2000	JS E0059200	1

^a from 020121/0009246

^b crank kit ...

* With the 06/TC foot version, item 30, the installation height Mh is reduced by 50 mm

* With the 03/roller foot version, item 31, the installation height Mh is increased by 43 mm

** 31, 32, 33: only for landing gears up to September 2008



Individual components, accessories and repair kits

Item	Description	Remark	Order No.	per Kit	Item	Description	Remark	Order No.	per Kit
03	Connection shaft 1340 mm		JS L01	1	16	Crank 350 mm w. parking hook	with 15, 17 + 18	JS U01	1
03	Connection shaft 1450 mm		JS L02	1	16	Crank 415 mm w. parking hook	with 15, 17 + 18	JS U02	1
03	Connection shaft 1470 mm		JS L03	1	16	Crank 450 mm w. parking hook	with 15, 17 + 18	JS U03	1
03	Connection shaft 1500 mm		JS L04	1	16	Crank 480 mm w. parking hook	with 15, 17 + 18	JS U04	1
03	Connection shaft 1505 mm		JS L05	1	16	Crank 520 mm w. parking hook	with 15, 17 + 18	JS U05	1
03	Connection shaft 1575 mm		JS L06	1	16	Crank 570 mm w. parking hook	with 15, 17 + 18	JS U07	1
03	Connection shaft 1605 mm		JS L07	1	16	Crank 620 mm w. parking hook	with 15, 17 + 18	JS U08	1
03	Connection shaft 1635 mm		JS L08	1					
03	Connection shaft 1700 mm		JS L09	1					
03	Connection shaft 1790 mm		JS L10	1					

Landing gear Modul CB

with two side operation

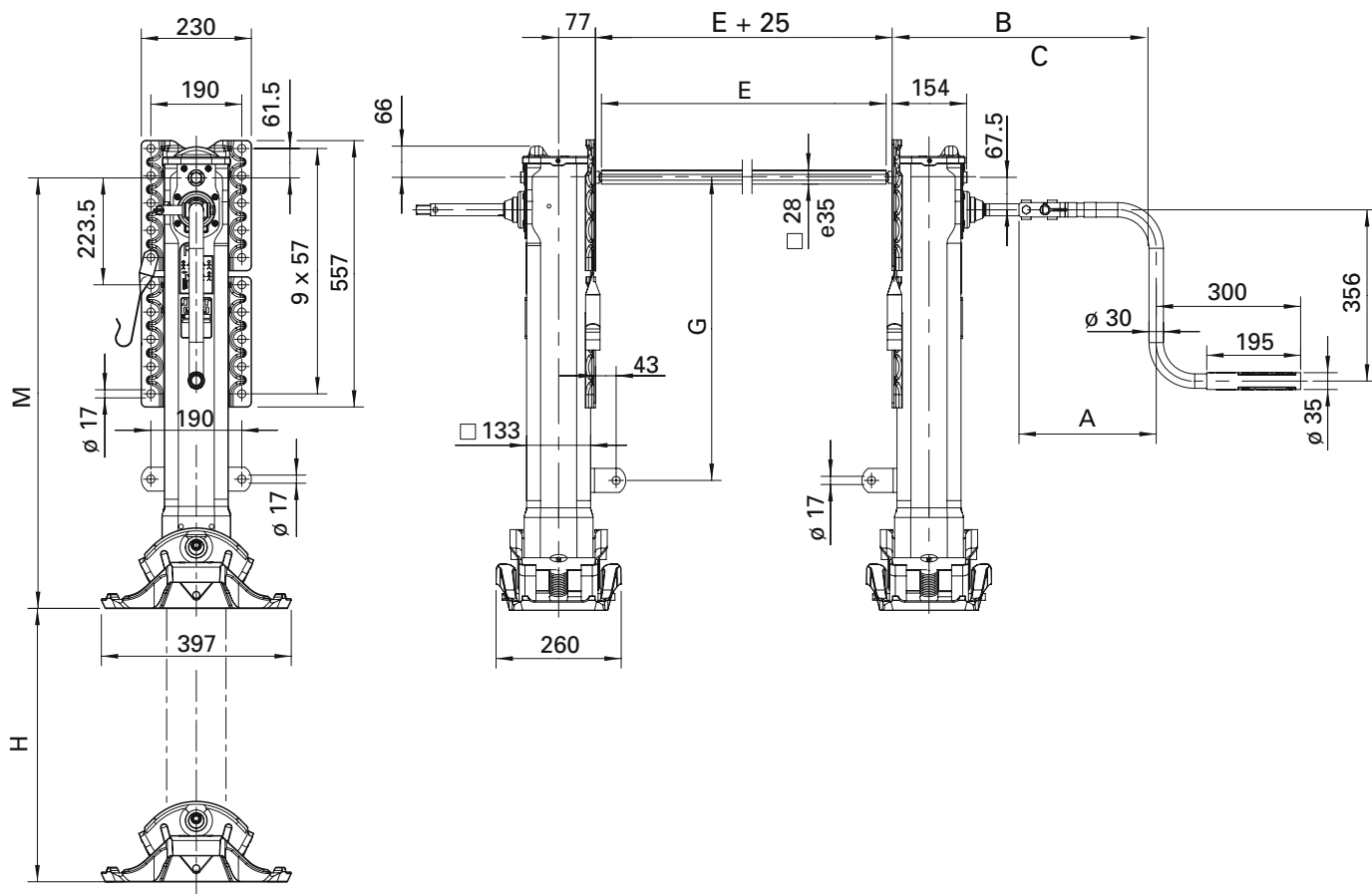
Advantages at a glance

- two side operation
- reduced crank force
- operation from either side alone is possible

Technical Features

- special handle for two side operation

Technical Specification



Technical Data (per set)

Characteristic	Value
Lifting capacity	24 t
Static load	50 t
Lift per turn of handle	
- Low gear	0,9 mm
- High gear	15,0 mm
Crank force at 16 t super imposed load	110 N

Selection table / Versions available

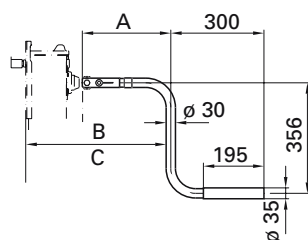
Order No.	M (mm)	H (mm)	G (mm)	Back plate	Foot
CB205260003	900	560	630	upper	S
CB205260031	900	560	630	upper	A
CB205260001	900	560	630	upper	T
CB201160000	850	560	630	upper	TC
CB201160030	900	560	630	lower	S
CB201160036	900	560	630	lower	A
CB205260014	900	560	630	lower	T
CB205260021	850	560	630	lower	TC
CB205260027	900	560	630	double	S
CB201160038	900	560	630	double	A
CB201160044	900	560	630	double	T
CB201160023	850	560	630	double	TC
CB201160050	850	520	580	upper	S
CB201160003	850	520	580	upper	A
CB201160046	850	520	580	upper	T
CB201160001	800	520	580	upper	TC
CB205260002	850	520	580	lower	S
CB201160020	850	520	580	lower	A
CB201160040	850	520	580	lower	T
CB205260026	800	520	580	lower	TC
CB205260019	850	520	580	double	S
CB205260017	850	520	580	double	A
CB201160012	850	520	580	double	T
CB201160045	800	520	580	double	TC
CB205260029	800	470	530	upper	S
CB205260022	800	470	530	upper	A
CB205260030	800	470	530	upper	T
CB205260016	750	470	530	upper	TC
CB201160054	800	470	530	lower	S
CB201160007	800	470	530	lower	A
CB201160019	800	470	530	lower	T
CB201160029	750	470	530	lower	TC
CB201160033	800	470	530	double	S
CB205260004	800	470	530	double	A
CB201160043	800	470	530	double	T
CB201160028	750	470	530	double	TC

Order No.	M (mm)	H (mm)	G (mm)	Back plate	Foot
CB201160039	750	430	480	upper	S
CB201160024	750	430	480	upper	A
CB201160048	750	430	480	upper	T
CB205260025	700	430	480	upper	TC
CB201160010	750	430	480	lower	S
CB201160041	750	430	480	lower	A
CB205260010	750	430	480	lower	T
CB201160047	700	430	480	lower	TC
CB201160049	750	430	480	double	S
CB201160053	750	430	480	double	A
CB201160004	750	430	480	double	T
CB201160026	700	430	480	double	TC
CB201160016	700	400	430	upper	S
CB205260032	700	400	430	upper	A
CB205260005	700	400	430	upper	T
CB201160005	650	400	430	upper	TC
CB205260008	700	400	430	lower	S
CB201160021	700	400	430	lower	A
CB205260033	700	400	430	lower	T
CB205260011	650	400	430	lower	TC
CB205260024	700	400	430	double	S
CB205260007	700	400	430	double	A
CB205260012	700	400	430	double	T
CB201160034	650	400	430	double	TC
CB205260000	650	350	380	upper	S
CB201160022	650	350	380	upper	A
CB205260028	650	350	380	upper	T
CB201160055	600	350	380	upper	TC
CB201160017	650	350	380	lower	S
CB201160018	650	350	380	lower	A
CB205260023	650	350	380	lower	T
CB201160015	600	350	380	lower	TC
CB205260020	650	350	380	double	S
CB201160014	650	350	380	double	A
CB201160031	650	350	380	double	T
CB201160025	600	350	380	double	TC

To complete your order for a Modul C please order the required crank handle and, if applicable, connection shaft separately.

Special crank handle for two side operation

Order No.	A	B (Low gear)	C (High gear)
JS U21	385	634	653
JS U22	405	654	673
JS U23	450	699	718
JS U24	505	754	773
JS U25	550	799	818



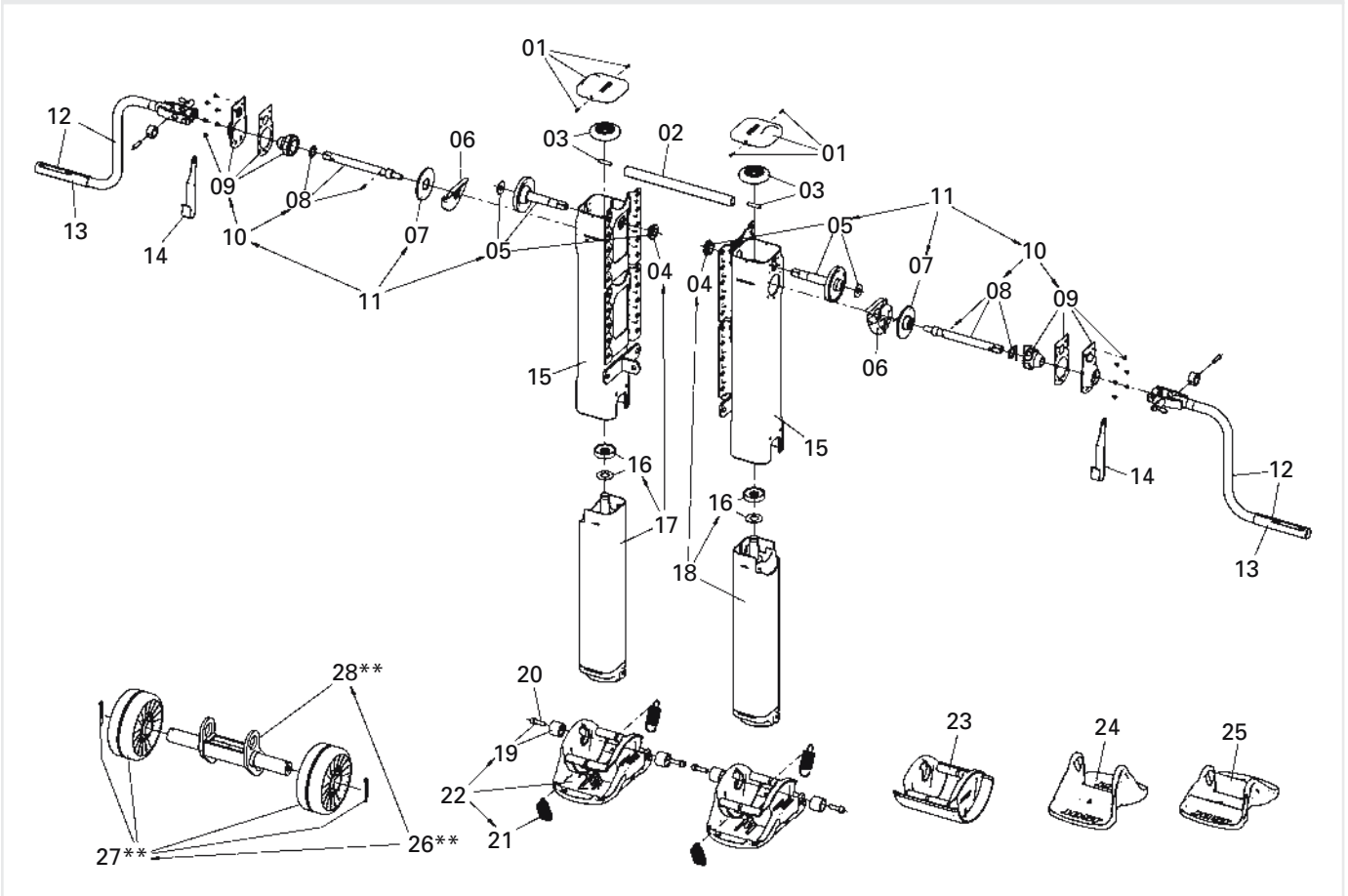
Connection shaft

Order No.	E (Length of connection shaft)
JS L01	1340
JS L02	1450
JS L03	1470
JS L04	1500
JS L05	1505
JS L06	1575
JS L07	1605
JS L08	1635
JS L09	1700
JS L10	1790



Modul CB

Spare parts



Item	Description	Remark	Order No.	per Kit
01	Cover, right + bolts		JS E0046300	2
02	see individual components			1
03	Bevel gear with bolts		JS E0058600	2
04	Shaft		JS E0001800	2
05	Shaft with bearing		JS E0058700	2
06	Grease tank		JS E0002000	2
07	Gear		JS E0055800	2
08	Crankshaft	compl.	JS E0062100	2
09	Bearing holder	compl.	JS E0058800	2
10	Crankshaft and bearing holder	compl. with 08 + 09	JS E0060100	2
11	Drive	compl. with 05 , 07 + 10	JS E0089800	2
12	see individual components			2
13	Crank bushing		JS E0042700	2
14	Crank parking hook	for crank 285-385mm	JS E0040201	2
14	Crank parking hook	for crank 405-550mm	JS E0040202	2
15	* Mh-01/900 shaft	Plate A, top	JS E0028600	2
15	* Mh-02/850 shaft	Plate A, top	JS E0028601	2
15	* Mh-03/800 shaft	Plate A, top	JS E0028602	2
15	* Mh-04/750 shaft	Plate A, top	JS E0028603	2
15	* Mh-05/700 shaft	Plate A, top	JS E0028604	2
15	* Mh-06/650 shaft	Plate A, top	JS E0028605	2
15	* Mh-01/900 shaft	Plate A, bottom	JS E0029700	2
15	* Mh-02/850 shaft	Plate A, bottom	JS E0029701	2
15	* Mh-03/800 shaft	Plate A, bottom	JS E0029702	2
15	* Mh-04/750 shaft	Plate A, bottom	JS E0029703	2
15	* Mh-05/700 shaft	Plate A, bottom	JS E0029704	2
15	* Mh-06/650 shaft	Plate A, bottom	JS E0029705	2
15	* Mh-01/900 shaft	Double plate	JS E0029200	2
15	* Mh-02/850 shaft	Double plate	JS E0029201	2
15	* Mh-03/800 shaft	Double plate	JS E0029202	2
15	* Mh-04/750 shaft	Double plate	JS E0029203	2
15	* Mh-05/700 shaft	Double plate	JS E0029204	2
15	* Mh-06/650 shaft	Double plate	JS E0029205	2
16	Axial bearing with washer		JS E0066401	2
17	* Mh-01/900 inner tube l. + spindle and bearing	with 16 + 04	JS E0060501	1
17	* Mh-02/850 inner tube l. + spindle and bearing	with 16 + 04	JS E0060502	1
17	* Mh-03/800 inner tube l. + spindle and bearing	with 16 + 04	JS E0060503	1
17	* Mh-04/750 inner tube l. + spindle and bearing	with 16 + 04	JS E0060504	1
17	* Mh-05/700 inner tube l. + spindle and bearing	with 16 + 04	JS E0060505	1

Item	Description	Remark	Order No.	per Kit
17	* Mh-06/650 inner tube l. + spindle and bearing	with 16 + 04	JS E0060506	1
18	* Mh-01/900 inner tube r. + spindle and bearing	with 16 + 04	JS E0056201	1
18	* Mh-02/850 inner tube r. + spindle and bearing	with 16 + 04	JS E0056202	1
18	* Mh-03/800 inner tube r. + spindle and bearing	with 16 + 04	JS E0056203	1
18	* Mh-04/750 inner tube r. + spindle and bearing	with 16 + 04	JS E0056204	1
18	* Mh-05/700 inner tube r. + spindle and bearing	with 16 + 04	JS E0056205	1
18	* Mh-06/650 inner tube r. + spindle and bearing	with 16 + 04	JS E0056206	1
19	Nut and bolt		JS E0043300	2
20	Bolt		JS E0055300	4
21	Spring		JS E0012900	4
22	S foot	compl. with 19 + 21	JS D01	2
23	A foot	compl. with 19	JS D02	2
24	T foot	compl. with 19	JS D04	2
25	TC foot	compl. with 19	JS D06	2
26	R foot**	compl. with 19 , 27 + 28	JS D03	2
27	Wheels with split pins**		JS E0062200	2
28	Wheel holder**		JS E0067300	2

* with the roller foot version the installation height Mh is increased by 43 mm

* with the TC foot version the installation height Mh is reduced by 50 mm

** 26, 27, 28: only for landing gears up to September 2008

Individual components, accessories and repair kits

Item	Description	Remark	Order No.	per Kit	Item	Description	Remark	Order No.	per Kit
02	Connection shaft 1340 mm		JS L01	1	12	Crank 285 mm w. parking hook	with 13 + 14	JS U20	2
02	Connection shaft 1450 mm		JS L02	1	12	Crank 385 mm w. parking hook	with 13 + 14	JS U21	2
02	Connection shaft 1470 mm		JS L03	1	12	Crank 405 mm w. parking hook	with 13 + 14	JS U22	2
02	Connection shaft 1500 mm		JS L04	1	12	Crank 450 mm w. parking hook	with 13 + 14	JS U23	2
02	Connection shaft 1505 mm		JS L05	1	12	Crank 505 mm w. parking hook	with 13 + 14	JS U24	2
02	Connection shaft 1575 mm		JS L06	1	12	Crank 550 mm w. parking hook	with 13 + 14	JS U25	2
02	Connection shaft 1605 mm		JS L07	1					
02	Connection shaft 1635 mm		JS L08	1					
02	Connection shaft 1700 mm		JS L09	1					
02	Connection shaft 1790 mm		JS L10	1					



Landing gear Modul CC

Compact

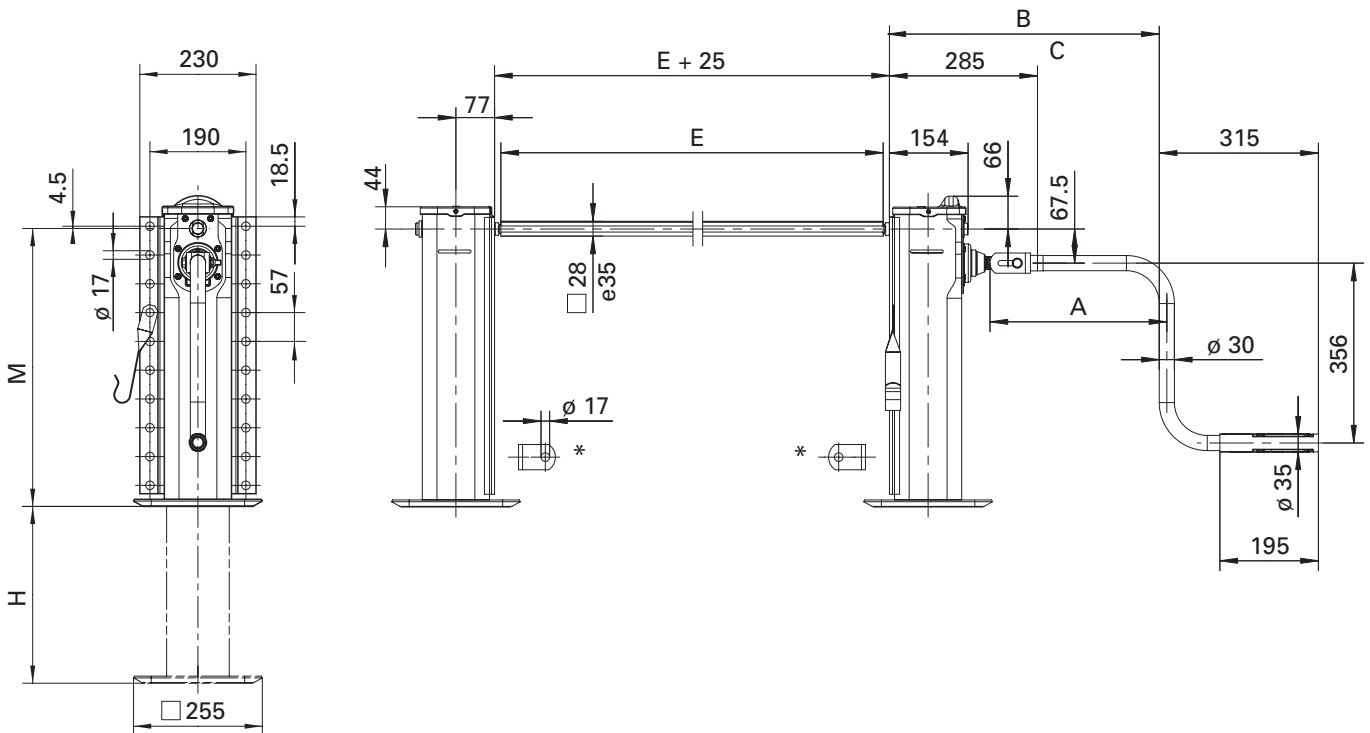
Advantages at a glance

- extremely compact installation
- maximum stroke combined with low mounting height

Technical Features

- full length back plate
- rigid sand shoe

Technical Specification



* Bracing lugs are supplied loose
Dimensions A, B and C, see page 111.

Selection table / Versions available

Order No.	M (mm)	H (mm)	Back plate	Foot
CC106470000	650	430	full length	T rigid
CC108470000	600	400	full length	T rigid
CC109470000	550	350	full length	T rigid
CC110470000	500	300	full length	T rigid
CC111470000	450	250	full length	T rigid

Technical Data (per set)

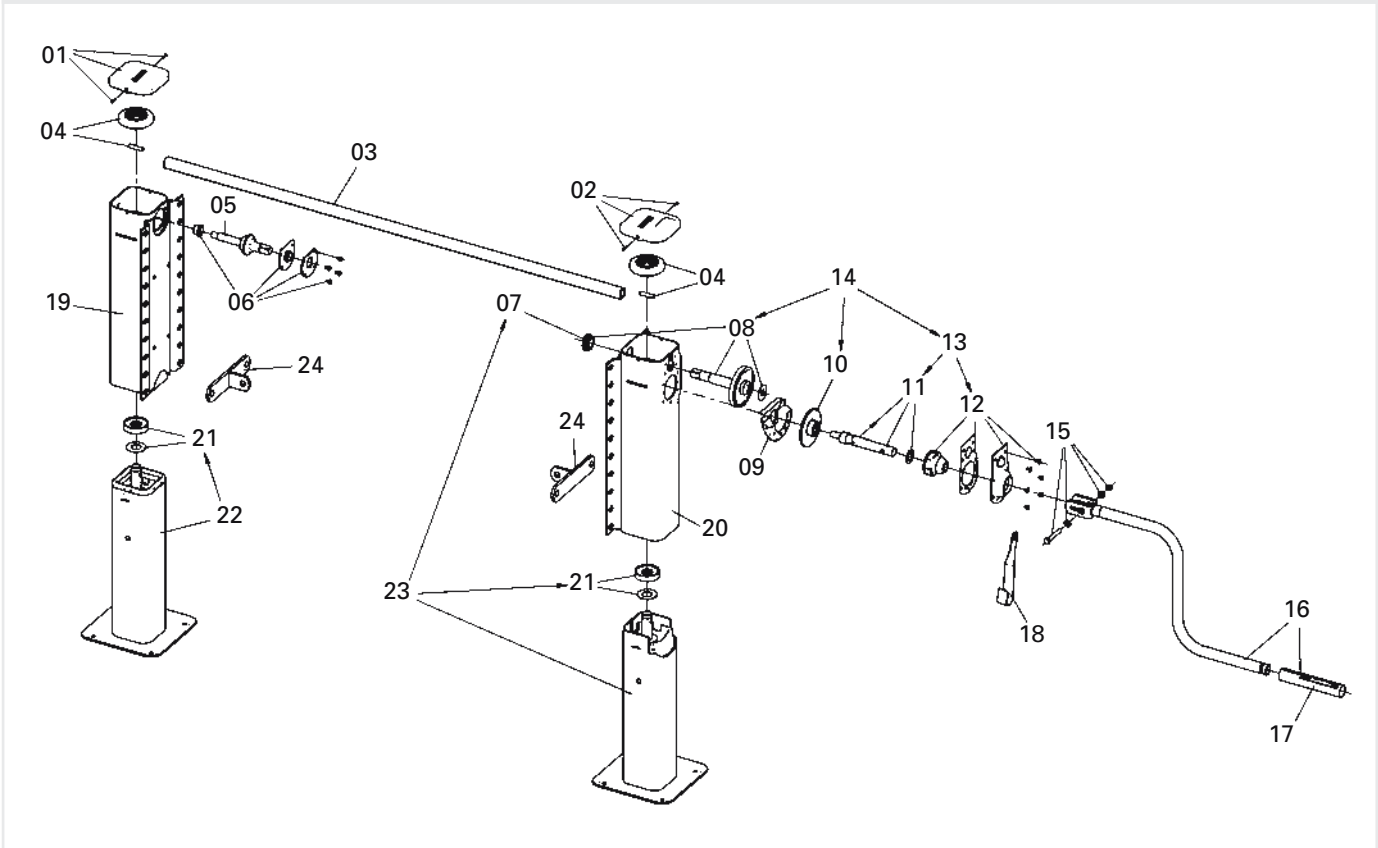
Characteristic	Value
Lifting capacity	24 t
Static load	50 t
Lifting capacity and static load by use of the swivel bearings JS E010.011 and JS E010.012	10 t
Lift per turn of handle	
- Low gear	0,9 mm
- High gear	15,0 mm
Crank force at 16 t super imposed load	210 N

Remarks:

Please order crank handle and connection shaft separately, see page 111.

Modul CC

Spare parts



Item	Description	Remark	Order No.	per Kit
01	Cover, left with bolts		JS E0046100	1
02	Cover, right + bolts		JS E0046300	1
03	see individual components			1
04	Bevel gear with bolts		JS E0058600	2
05	Shaft		JS E0001500	1
06	Bearing	compl.	JS E0046200	1
07	Shaft		JS E0001800	1
08	Shaft with bearing		JS E0058700	1
09	Grease tank		JS E0002000	1
10	Gear		JS E0055800	1
11	Crank shaft	compl.	JS E0046500	1
12	Bearing holder	compl.	JS E0058800	1
13	Crankshaft and bearing holder	compl. with 11 + 12	JS E0056600	1
14	Drive	compl. with 08, 10 + 13	JS E0083700	1
15	Bolts, washers, nuts		JS E0043100	1
16	see individual components			1
17	Crank bushing		JS E0042700	1
18	Crank parking hook	for crank 415-480 mm (JS U02-JS U04)	JS E0040201	1
18	Crank parking hook	for crank 350 mm (JS U01)	JS E0040200	1
18	Crank parking hook	for crank 520-620 mm (JS U05-JS U08)	JS E0040202	1
19	Mh-08/600 shaft left		JS E0069302	1
19	Mh-06/650 shaft left		JS E0069301	1
19	Mh-09/550 shaft left		JS E0069303	1
19	Mh-10/500 shaft left		JS E0069304	1
19	Mh-11/450 shaft left		JS E0069305	1
20	Mh-11/450 shaft right		JS E0069205	1
20	Mh-10/500 shaft right		JS E0069204	1
20	Mh-09/550 shaft right		JS E0069203	1
20	Mh-08/600 shaft right		JS E0069202	1
20	Mh-06/650 shaft right		JS E0069201	1
21	Axial bearing with washer		JS E0066401	2
22	Mh-11/450 inner tube l. + spindle and bearing	with 21	JS E0068905	1
22	Mh-10/500 inner tube l. + spindle and bearing	with 21	JS E0068904	1
22	Mh-09/550 inner tube l. + spindle and bearing	with 21	JS E0068903	1
22	Mh-08/600 inner tube l. + spindle and bearing	with 21	JS E0068902	1
22	Mh-06/650 inner tube l. + spindle and bearing	with 21	JS E0068901	1
23	Mh-09/550 inner tube r. + spindle and bearing	with 21 + 07	JS E0068803	1
23	Mh-10/500 inner tube r. + spindle and bearing	with 21 + 07	JS E0068804	1
23	Mh-11/450 inner tube r. + spindle and bearing	with 21 + 07	JS E0068805	1
23	Mh-08/600 inner tube r. + spindle and bearing	with 21 + 07	JS E0068802	1
23	Mh-06/650 inner tube r. + spindle and bearing	with 21 + 07	JS E0068801	1
24	Angle		JS E010.001	2



Individual components, accessories and repair kits

Item	Description	Remark	Order No.	per Kit	Item	Description	Remark	Order No.	per Kit
03	Connection shaft 1340 mm		JS L01	1	16	Crank 350 mm w. parking hook	with 15, 17 + 18	JS U01	1
03	Connection shaft 1450 mm		JS L02	1	16	Crank 415 mm w. parking hook	with 15, 17 + 18	JS U02	1
03	Connection shaft 1470 mm		JS L03	1	16	Crank 450 mm w. parking hook	with 15, 17 + 18	JS U03	1
03	Connection shaft 1505 mm		JS L05	1	16	Crank 480 mm w. parking hook	with 15, 17 + 18	JS U04	1
03	Connection shaft 1575 mm		JS L06	1	16	Crank 520 mm w. parking hook	with 15, 17 + 18	JS U05	1
03	Connection shaft 1605 mm		JS L07	1	16	Crank 570 mm w. parking hook	with 15, 17 + 18	JS U07	1
03	Connection shaft 1635 mm		JS L08	1	16	Crank 620 mm w. parking hook	with 15, 17 + 18	JS U08	1
03	Connection shaft 1700 mm		JS L09	1					
03	Connection shaft 1790 mm		JS L10	1					

Landing gear Modul CD

Tandem leg

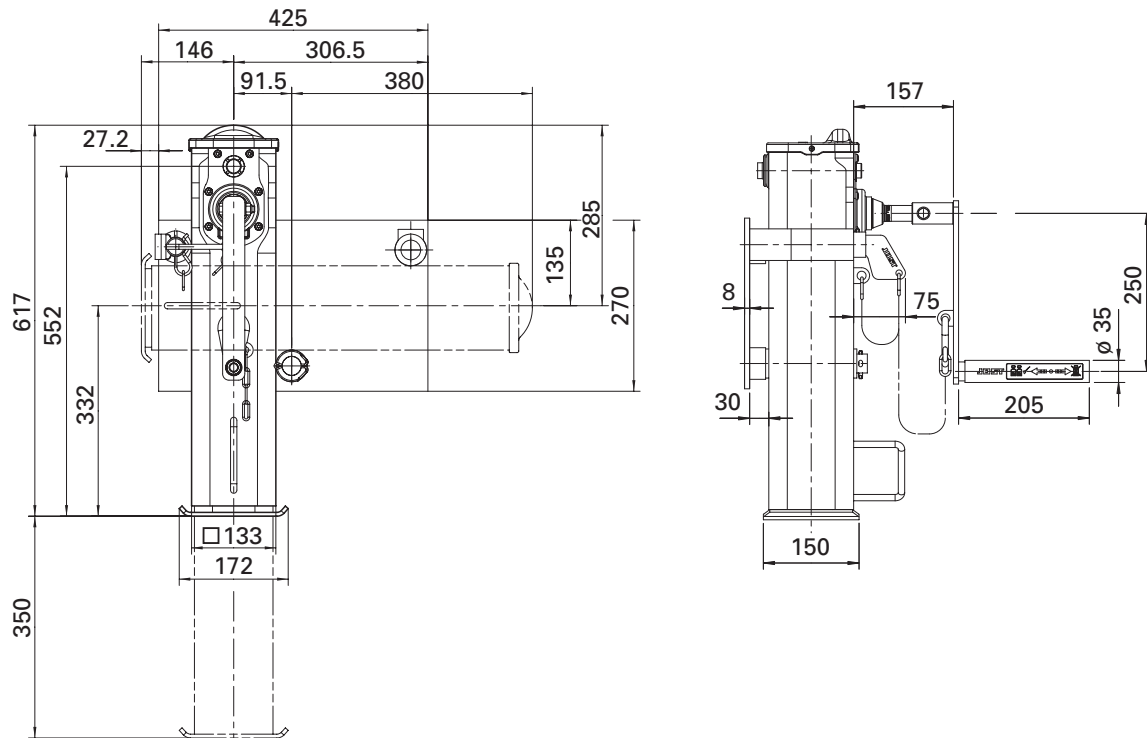
Advantages at a glance

- for central axle trailers
- rigid shoe for particularly compact installation
- can be swivelled up for additional ground clearance

Technical Features

- single leg
- swivel bearing
- rigid sand shoe

Technical Specification



Selection table / Versions available

Order No.	M (mm)	H (mm)	Back plate	Foot
CD1090700R	550	350	swivel bearing	T rigid

Technical Data

Characteristic	Value
Lifting capacity	5 t
Static load	5 t
Lift per turn of handle	
- Low gear	0,9 mm
- High gear	15,0 mm
Crank force at 5 t super imposed load	140 N

Remarks:

Please order crank handle and connection shaft separately, see page 111.

Special Accessories

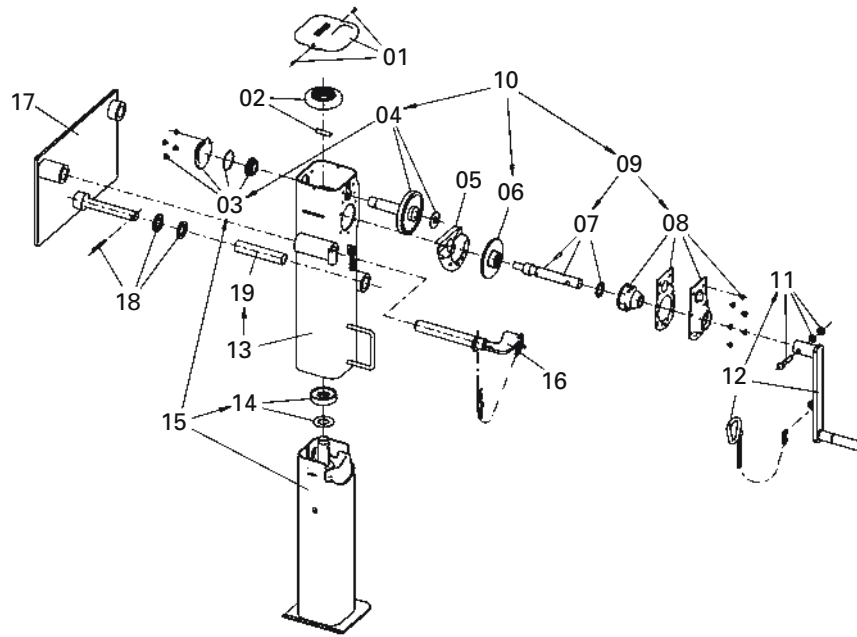
compact crank handle

Order No.	Description
JS U31	Tandem crank handle, folding
JS U32	Tandem crank handle, rigid



Modul CD

Spare parts



Item	Description	Remark	Order No.	per Kit
01	Cover with bolts		JS E0046300	1
02	Bevel gear with bolts		JS E0058600	1
03	Cover with bearing	compl.	JS E0083900	1
04	Shaft with bearing		JS E0084100	1
05	Grease tank		JS E0002000	1
06	Gear		JS E0055800	1
07	Crank shaft	compl.	JS E0046500	1
08	Bearing holder	compl.	JS E0058800	1
09	Crankshaft and bearing holder	compl. with 07 + 08	JS E0056600	1
10	Drive	compl. with 04, 06 + 09	JS E0084300	1
11	Bolts with washers and nuts		JS E0043101	1
12	Crank with spring hook	with 11	JS U31	1
13	Shaft	with 19	JS E0072701	1
14	Axial bearing with washer		JS E0066401	1
15	Inner tube + spindle and bearing	with 14 + 03	JS E0067001	1
16	Pin	compl.	JS E0077600	1
17	Locking bearing	compl. with 18	JS E0073100	1
18	Washers and split pin		JS E0088200	1
19	Bushing		JS E0092100	1

Landing gear Modul CF

Drop leg with telescopic lift

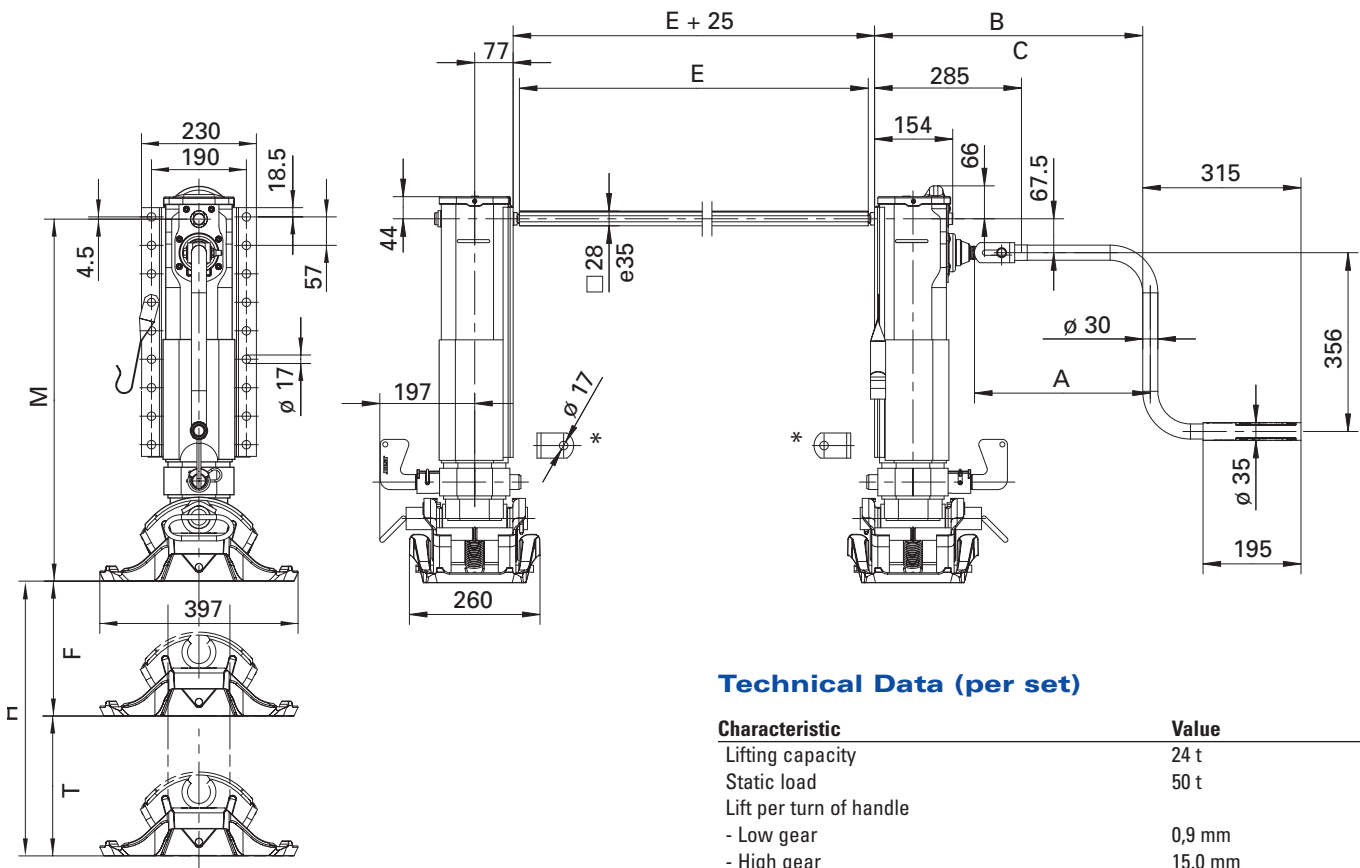
Advantages at a glance

- maximum stroke combined with low mounting height
- compact installation

Technical Features

- additional drop extension
- full length back plate
- reinforcement

Technical Specification



Technical Data (per set)

Characteristic	Value
Lifting capacity	24 t
Static load	50 t
Lift per turn of handle	
- Low gear	0,9 mm
- High gear	15,0 mm
Crank force at 16 t super imposed load	210 N

* Bracing lugs are supplied loose
Dimensions A, B and C, see page 111.

Selection table / Versions available

Order No.	M (mm)	F (mm)	T (mm)	H (mm)	Back plate (mm)	Foot
CF142410000	925	470	430	900	full length	S
CF142420000	925	470	430	900	full length	A
CF142440000	925	470	430	900	full length	T
CF142460000	875	470	430	900	full length	TC
CF143410000	875	420	400	820	full length	S
CF143420000	875	420	400	820	full length	A
CF143440000	875	420	400	820	full length	T
CF143460000	825	420	400	820	full length	TC
CF144410000	825	370	380	750	full length	S
CF144420000	825	370	380	750	full length	A
CF144440000	825	370	380	750	full length	T
CF144460000	775	370	380	750	full length	TC
CF145410000	775	320	330	650	full length	S
CF145420000	775	320	330	650	full length	A

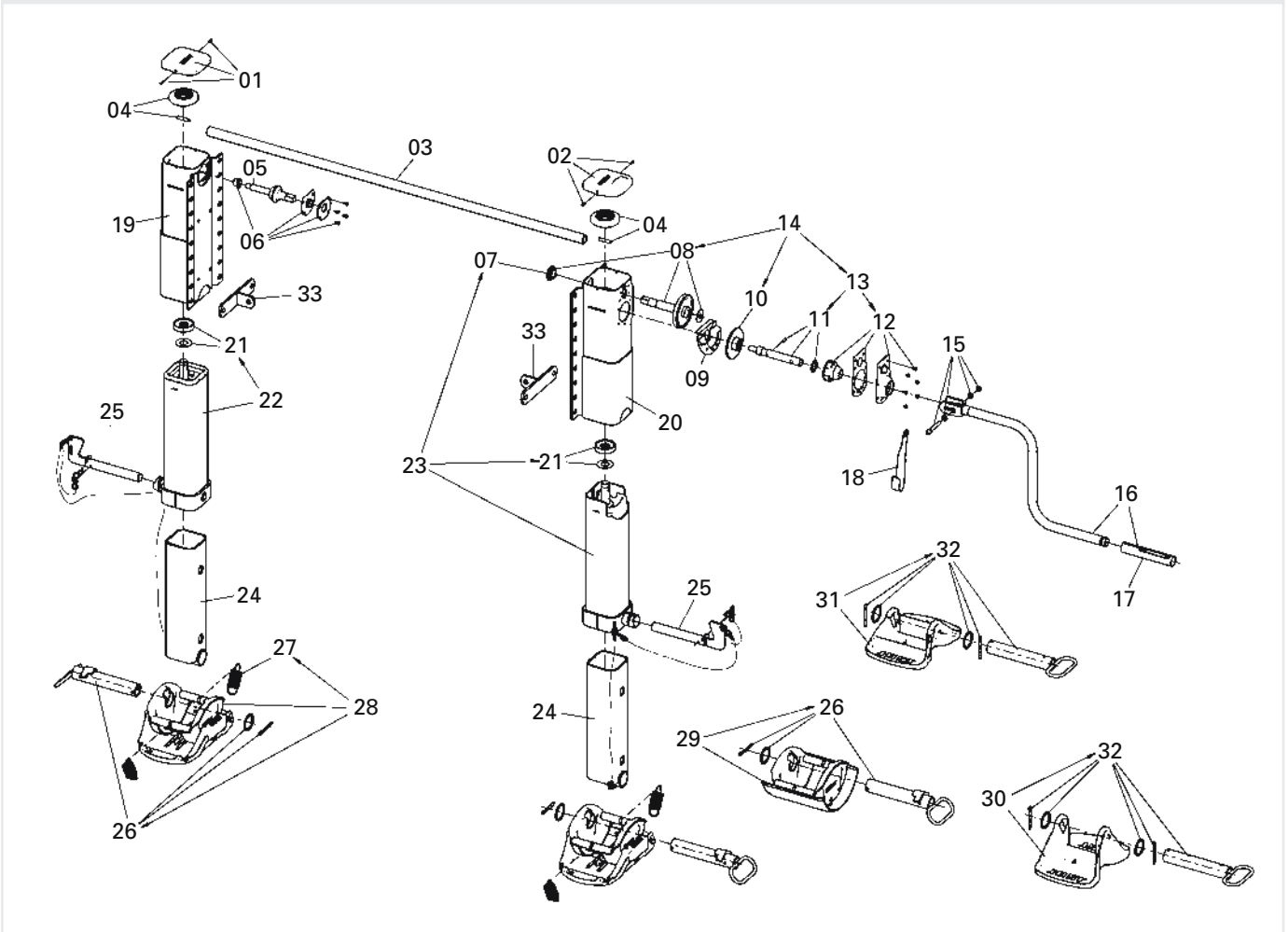
Order No.	M (mm)	F (mm)	T (mm)	H (mm)	Back plate (mm)	Foot
CF145440000	775	320	330	650	full length	T
CF145460000	725	320	330	650	full length	TC
CF146410000	725	270	280	550	full length	S
CF146420000	725	270	280	550	full length	A
CF146440000	725	270	280	550	full length	T
CF146460000	675	270	280	550	full length	TC
CF147410000	675	220	230	450	full length	S
CF147420000	675	220	230	450	full length	A
CF147440000	675	220	230	450	full length	T
CF147460000	625	220	230	450	full length	TC
CF148410000	625	170	180	350	full length	S
CF148420000	625	170	180	350	full length	A
CF148440000	625	170	180	350	full length	T
CF148460000	575	170	180	350	full length	TC

Remarks:

Please order crank handle and connection shaft separately, see page 111.

Modul CF

Spare parts



Item	Description	Remark	Order No.	per Kit
01	Cover, left with bolts		JS E0046100	1
02	Cover with bolts		JS E0046300	1
03	see individual components			1
04	Bevel gear with bolts		JS E0058600	2
05	Shaft		JS E0001500	1
06	Bearing	compl.	JS E0046200	1
07	Shaft		JS E0001800	1
08	Shaft with bearing		JS E0058700	1
09	Grease tank		JS E0002000	1
10	Gear		JS E0055800	1
11	Crank shaft	compl.	JS E0046500	1
12	Bearing holder	compl.	JS E0058800	1
13	Crankshaft and bearing holder	compl. with 11 + 12	JS E0056600	1
14	Drive	compl. with 08, 10 + 13	JS E0083700	1
15	Bolts, washers, nuts		JS E0043100	1
16	see individual components			1
17	Crank bushing		JS E0042700	1
18	Crank parking hook	for crank 350 mm (JS U01)	JS E0040200	1
18	Crank parking hook	for crank 415-480 mm (JS U02-JS U04)	JS E0040201	1
18	Crank parking hook	for crank 520-620 mm (JS U05-JS U08)	JS E0040202	1
19	Mh-42/925 shaft left		JS E0071301	1
19	Mh-43/875 shaft left		JS E0071302	1
19	Mh-44/825 shaft left		JS E0071303	1
19	Mh-45/775 shaft left		JS E0071304	1
19	Mh-46/725 shaft left		JS E0071305	1
19	Mh-47/675 shaft left		JS E0071306	1
19	Mh-48/625 shaft left		JS E0071307	1
20	Mh-42/925 shaft right		JS E0070601	1
20	Mh-43/875 shaft right		JS E0070602	1
20	Mh-44/825 shaft right		JS E0070603	1
20	Mh-45/775 shaft right		JS E0070604	1
20	Mh-46/725 shaft right		JS E0070605	1
20	Mh-47/675 shaft right		JS E0070606	1
20	Mh-48/625 shaft right		JS E0070607	1
21	Axial bearing with washer		JS E0066401	2

Item	Description	Remark	Order No.	per Kit
22	Mh-42/925 inner tube l. + spindle and bearing	with 21	JS E0071501	1
22	Mh-43/875 inner tube l. + spindle and bearing	with 21	JS E0071502	1
22	Mh-44/825 inner tube l. + spindle and bearing	with 21	JS E0071503	1
22	Mh-45/775 inner tube l. + spindle and bearing	with 21	JS E0071504	1
22	Mh-46/725 inner tube l. + spindle and bearing	with 21	JS E0071505	1
22	Mh-47/675 inner tube l. + spindle and bearing	with 21	JS E0071506	1
22	Mh-48/625 inner tube l. + spindle and bearing	with 21	JS E0071507	1
23	Mh-42/925 inner tube r. + spindle and bearing	with 21 + 07	JS E0070801	1
23	Mh-43/875 inner tube r. + spindle and bearing	with 21 + 07	JS E0070802	1
23	Mh-44/825 inner tube r. + spindle and bearing	with 21 + 07	JS E0070803	1
23	Mh-45/775 inner tube r. + spindle and bearing	with 21 + 07	JS E0070804	1
23	Mh-46/725 inner tube r. + spindle and bearing	with 21 + 07	JS E0070805	1
23	Mh-47/675 inner tube r. + spindle and bearing	with 21 + 07	JS E0070806	1
23	Mh-48/625 inner tube r. + spindle and bearing	with 21 + 07	JS E0070807	1
24	Mh-42/925 support leg with chain		JS E0071001	2
24	Mh-43/875 support leg with chain		JS E0071002	2
24	Mh-44/825 support leg with chain		JS E0071003	2
24	Mh-45/775 support leg with chain		JS E0071004	2
24	Mh-46/725 support leg with chain		JS E0071005	2
24	Mh-47/675 support leg with chain		JS E0071006	2
24	Mh-48/625 support leg with chain		JS E0071007	2
25	Pin	compl.	JS E0075000	2
26	Shaft	compl. for A and S foot	JS E0071800	2
27	Spring		JS E0012900	4
28	S foot	compl. with 26 + 27	JS D01CF	2
29	A foot	compl. with 26	JS D02CF	2
30	T foot	compl. with 32	JS D04CF	2
31	TC foot	compl. with 32	JS D06CF	2
32	Shaft	compl. for T and TC foot	JS E0085600	2
33	Angle		JS E010.001	2

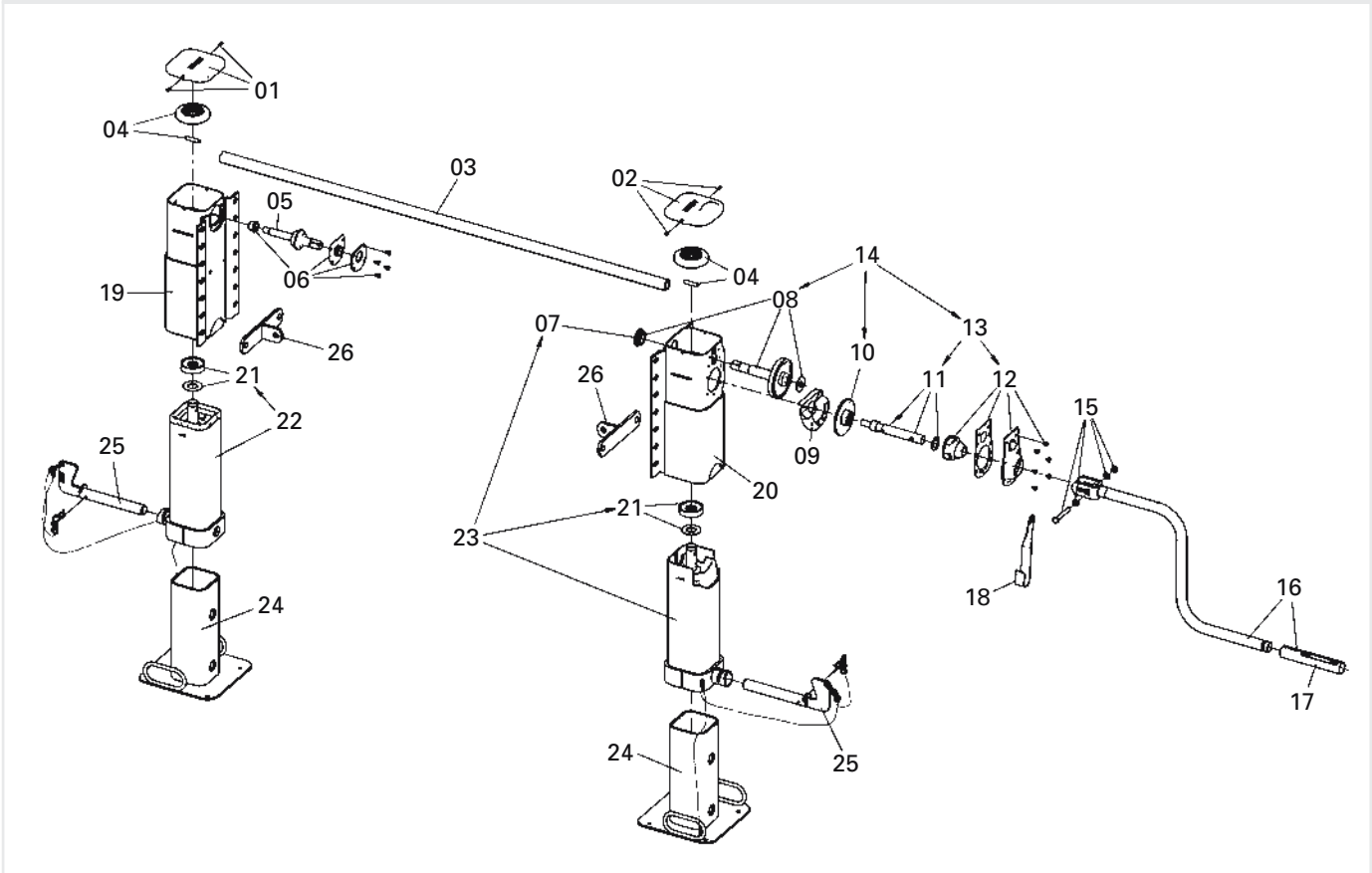
Individual components, accessories and repair kits

Item	Description	Remark	Order No.	per Kit	Item	Description	Remark	Order No.	per Kit
03	Connection shaft 1340 mm		JS L01	1	16	Crank 350 mm w. parking hook	with 15, 17 + 18	JS U01	1
03	Connection shaft 1450 mm		JS L02	1	16	Crank 415 mm w. parking hook	with 15, 17 + 18	JS U02	1
03	Connection shaft 1470 mm		JS L03	1	16	Crank 450 mm w. parking hook	with 15, 17 + 18	JS U03	1
03	Connection shaft 1500 mm		JS L04	1	16	Crank 480 mm w. parking hook	with 15, 17 + 18	JS U04	1
03	Connection shaft 1505 mm		JS L05	1	16	Crank 520 mm w. parking hook	with 15, 17 + 18	JS U05	1
03	Connection shaft 1575 mm		JS L06	1	16	Crank 570 mm w. parking hook	with 15, 17 + 18	JS U07	1
03	Connection shaft 1605 mm		JS L07	1	16	Crank 620 mm w. parking hook	with 15, 17 + 18	JS U08	1
03	Connection shaft 1635 mm		JS L08	1					
03	Connection shaft 1700 mm		JS L09	1					
03	Connection shaft 1790 mm		JS L10	1					



Modul CF

Spare parts



Item	Description	Remark	Order No.	per Kit
01	Cover, left with bolts		JS E0046100	1
02	Cover, right + bolts		JS E0046300	1
03	see individual components			1
04	Bevel gear with bolts		JS E0058600	2
05	Shaft		JS E0001500	1
06	Bearing	compl.	JS E0046200	1
07	Shaft		JS E0001800	1
08	Shaft with bearing		JS E0058700	1
09	Grease tank		JS E0002000	1
10	Gear		JS E0055800	1
11	Crank shaft	compl.	JS E0046500	1
12	Bearing holder	compl.	JS E0058800	1
13	Crankshaft and bearing holder	compl. with 11 + 12	JS E0056600	1
14	Drive	compl. with 08, 10 + 13	JS E0083700	1
15	Bolts, washers, nuts		JS E0043100	1
16	see individual components			1
17	Crank bushing		JS E0042700	1
18	Crank parking hook	for crank 350 mm (JS U01)	JS E0040200	1
18	Crank parking hook	for crank 415-480 mm (JS U02-JS U04)	JS E0040201	1
18	Crank parking hook	for crank 520-620 mm (JS U05-JS U08)	JS E0040202	1
19	Mh-51/670 shaft left		JS E0071303	1
19	Mh-52/620 shaft left		JS E0071304	1
19	Mh-53/570 shaft left		JS E0071305	1
19	Mh-54/520 shaft left		JS E0071306	1
19	Mh-55/470 shaft left		JS E0071307	1
20	Mh-51/670 shaft right		JS E0070603	1
20	Mh-52/620 shaft right		JS E0070604	1
20	Mh-53/570 shaft right		JS E0070605	1
20	Mh-54/520 shaft right		JS E0070606	1
20	Mh-55/470 shaft right		JS E0070607	1
21	Axial bearing with washer		JS E0066401	2
22	Mh-51/670 inner tube l. + spindle and bearing	with 21	JS E0071503	1
22	Mh-52/620 inner tube l. + spindle and bearing	with 21	JS E0071504	1
22	Mh-53/570 inner tube l. + spindle and bearing	with 21	JS E0071505	1
22	Mh-54/520 inner tube l. + spindle and bearing	with 21	JS E0071506	1
22	Mh-55/470 inner tube l. + spindle and bearing	with 21	JS E0071507	1
23	Mh-51/670 inner tube r. + spindle and bearing	with 21 + 07	JS E0070803	1
23	Mh-52/620 inner tube r. + spindle and bearing	with 21 + 07	JS E0070804	1
24	Mh-51/670 Support leg with chain		JS E0072201	2
24	Mh-52/620 Support leg with chain		JS E0072202	2



Landing gear – Modul

Item	Description	Remark	Order No.	per Kit
24	Mh-53/570 Support leg with chain		JS E0072203	2
24	Mh-54/520 Support leg with chain		JS E0072204	2
24	Mh-55/470 Support leg with chain		JS E0072205	2
25	Pin	compl.	JS E0075000	2
26	Angle		JS E010.001	2

Individual components, accessories and repair kits

Item	Description	Remark	Order No.	per Kit	Item	Description	Remark	Order No.	per Kit
03	Connection shaft 1340 mm		JS L01	1	16	Crank 350 mm w. parking hook	with 15, 17 + 18	JS U01	1
03	Connection shaft 1450 mm		JS L02	1	16	Crank 415 mm w. parking hook	with 15, 17 + 18	JS U02	1
03	Connection shaft 1470 mm		JS L03	1	16	Crank 450 mm w. parking hook	with 15, 17 + 18	JS U03	1
03	Connection shaft 1500 mm		JS L04	1	16	Crank 480 mm w. parking hook	with 15, 17 + 18	JS U04	1
03	Connection shaft 1505 mm		JS L05	1	16	Crank 520 mm w. parking hook	with 15, 17 + 18	JS U05	1
03	Connection shaft 1575 mm		JS L06	1	16	Crank 570 mm w. parking hook	with 15, 17 + 18	JS U07	1
03	Connection shaft 1605 mm		JS L07	1	16	Crank 620 mm w. parking hook	with 15, 17 + 18	JS U08	1
03	Connection shaft 1635 mm		JS L08	1					
03	Connection shaft 1700 mm		JS L09	1					
03	Connection shaft 1790 mm		JS L10	1					

Landing gear Modul CH

Heavy Duty

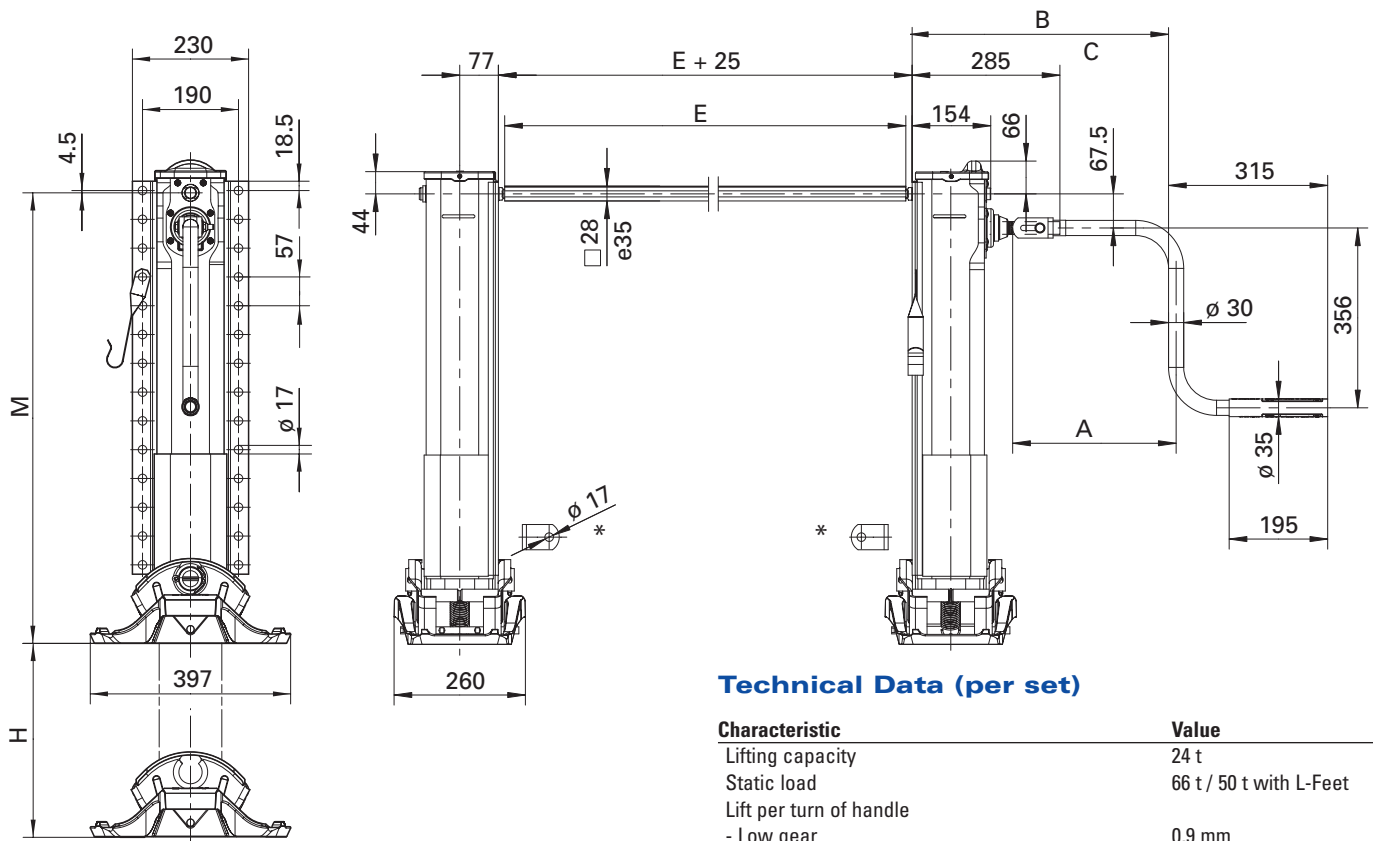
Advantages at a glance

- maximum resistance to bending
- shock resistant
- increased static load (66 t)
- increase in stroke of up to 90 mm

Technical Features

- full length back plate
- reinforcement
- HD bearing
- reinforced inner tube

Technical Specification



Technical Data (per set)

Characteristic	Value
Lifting capacity	24 t
Static load	66 t / 50 t with L-Feet
Lift per turn of handle	
- Low gear	0,9 mm
- High gear	15,0 mm
Crank force at 16 t super imposed load	210 N

* Bracing lugs are supplied loose
Dimensions A, B and C, see page 111.

Selection table / Versions available

Order No.	M (mm)	H (mm)	Back plate	Foot
CH124410000	940	560	full length	S
CH124420000	940	560	full length	A
CH124440000	940	560	full length	T
CH124450000	925	560	full length	L
CH125410000	890	520	full length	S
CH125420000	890	520	full length	A
CH125440000	890	520	full length	T
CH125450000	875	520	full length	L
CH126410000	840	470	full length	S
CH126420000	840	470	full length	A
CH126440000	840	470	full length	T
CH126450000	825	470	full length	L

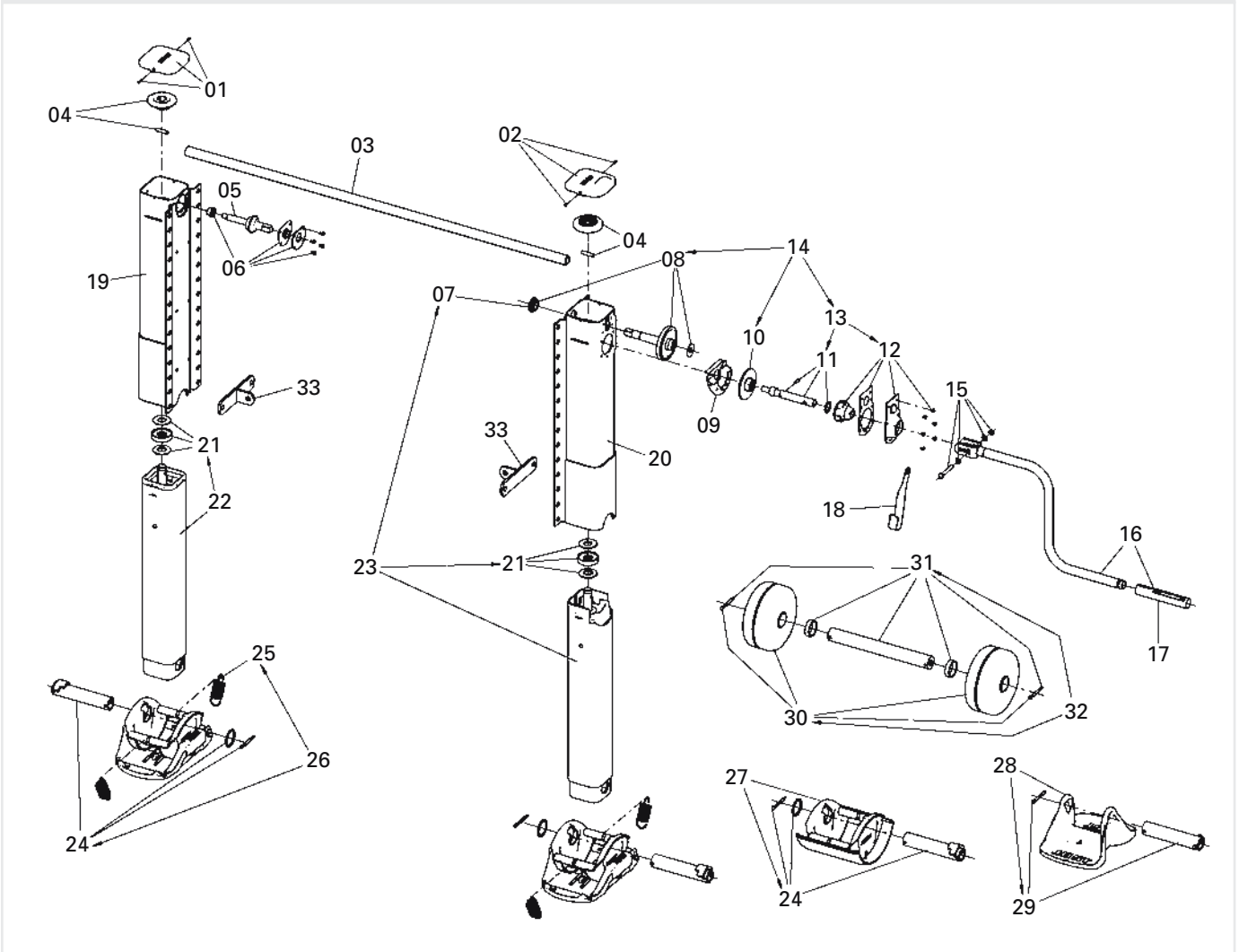
Order No.	M (mm)	H (mm)	Back plate	Foot
CH127410000	790	430	full length	S
CH127420000	790	430	full length	A
CH127440000	790	430	full length	T
CH127450000	775	430	full length	L
CH128410000	740	380	full length	S
CH128420000	740	380	full length	A
CH128440000	740	380	full length	T
CH128450000	725	380	full length	L
CH130410000	690	330	full length	S
CH130420000	690	330	full length	A
CH130440000	690	330	full length	T
CH130450000	675	330	full length	L

Remarks:

Please order cranks and connection shafts separately, see also page 111.

Modul CH

Spare parts



Item	Description	Remark	Order No.	per Kit
01	Cover, left with bolts		JS E0046100	1
02	Cover, right + bolts		JS E0046300	1
03	see individual components			1
04	Bevel gear with bolts		JS E0058600	2
05	Shaft		JS E0001500	1
06	Bearing	compl.	JS E0046200	1
07	Shaft		JS E0001800	1
08	Shaft with bearing		JS E0058700	1
09	Grease tank		JS E0002000	1
10	Gear		JS E0055800	1
11	Crank shaft	compl.	JS E0046500	1
12	Bearing holder	compl.	JS E0058800	1
13	Crankshaft and bearing holder	compl. with 11 + 12	JS E0056600	1
14	Drive	compl. with 08, 10 + 13	JS E0083700	1
15	Bolts, washers, nuts		JS E0043100	1
16	see individual components			1
17	Crank bushing		JS E0042700	1
18	Crank parking hook	for crank 350 mm (JS U01)	JS E0040200	1
18	Crank parking hook	for crank 415-480 mm (JS U02-JS U04)	JS E0040201	1
18	Crank parking hook	for crank 520-620 mm (JS U05-JS U08)	JS E0040202	1
19	* Mh-24/940 shaft left		JS E0062604	1
19	* Mh-25/890 shaft left		JS E0062605	1
19	* Mh-26/840 shaft left		JS E0062606	1
19	* Mh-27/790 shaft left		JS E0062607	1
19	* Mh-28/740 shaft left		JS E0062608	1
19	* Mh-30/690 shaft left		JS E0062609	1
20	* Mh-24/940 shaft right		JS E0062504	1
20	* Mh-25/890 shaft right		JS E0062505	1
20	* Mh-26/840 shaft right		JS E0062506	1
20	* Mh-27/790 shaft right		JS E0062507	1
20	* Mh-28/740 shaft right		JS E0062508	1
20	* Mh-30/690 shaft right		JS E0062509	1
21	Axial bearing with support washer		JS E0066400	2

Item	Description	Remark	Order No.	per Kit
22	* Mh-24/940 inner tube l. + spindle and bearing	with 21	JS E0063004	1
22	* Mh-25/890 inner tube l. + spindle and bearing	with 21	JS E0063005	1
22	* Mh-26/840 inner tube l. + spindle and bearing	with 21	JS E0063006	1
22	* Mh-27/790 inner tube l. + spindle and bearing	with 21	JS E0063007	1
22	* Mh-28/740 inner tube l. + spindle and bearing	with 21	JS E0063008	1
22	* Mh-30/690 inner tube l. + spindle and bearing	with 21	JS E0063009	1
23	* Mh-24/940 inner tube r. + spindle and bearing	with 21 + 07	JS E0062904	1
23	* Mh-25/890 inner tube r. + spindle and bearing	with 21 + 07	JS E0062905	1
23	* Mh-26/840 inner tube r. + spindle and bearing	with 21 + 07	JS E0062906	1
23	* Mh-27/790 inner tube r. + spindle and bearing	with 21 + 07	JS E0062907	1
23	* Mh-28/740 inner tube r. + spindle and bearing	with 21 + 07	JS E0062908	1
23	* Mh-30/690 inner tube r. + spindle and bearing	with 21 + 07	JS E0062909	1
24	Shaft	compl. for A and S foot	JS E0083600	2
25	Spring		JS E0012900	4
26	S foot	compl. with 24 + 25	JS D01CH	2
27	A foot	compl. with 24	JS D02CH	2
28	T foot	compl. with 29	JS D04CH	2
29	Shaft	compl. for T foot	JS E0083601	2
30	Wheels with split pins		JS E0083800	2
31	Shaft	compl. for R foot	JS E0083500	2
32	R foot	compl. with 30 + 31	JS D05CH	2
33	Angle		JS E010.001	2

* with the roller foot version the installation height Mh is reduced by 15 mm

Individual components, accessories and repair kits

Item	Description	Remark	Order No.	per Kit	Item	Description	Remark	Order No.	per Kit
03	Connection shaft 1340 mm		JS L01	1	16	Crank 350 mm w. parking hook	with 15, 17 + 18	JS U01	1
03	Connection shaft 1450 mm		JS L02	1	16	Crank 415 mm w. parking hook	with 15, 17 + 18	JS U02	1
03	Connection shaft 1470 mm		JS L03	1	16	Crank 450 mm w. parking hook	with 15, 17 + 18	JS U03	1
03	Connection shaft 1500 mm		JS L04	1	16	Crank 480 mm w. parking hook	with 15, 17 + 18	JS U04	1
03	Connection shaft 1505 mm		JS L05	1	16	Crank 520 mm w. parking hook	with 15, 17 + 18	JS U05	1
03	Connection shaft 1575 mm		JS L06	1	16	Crank 570 mm w. parking hook	with 15, 17 + 18	JS U07	1
03	Connection shaft 1605 mm		JS L07	1	16	Crank 620 mm w. parking hook	with 15, 17 + 18	JS U08	1
03	Connection shaft 1635 mm		JS L08	1					
03	Connection shaft 1700 mm		JS L09	1					
03	Connection shaft 1790 mm		JS L10	1					



Landing gear Modul CI

Inside chassis mounting

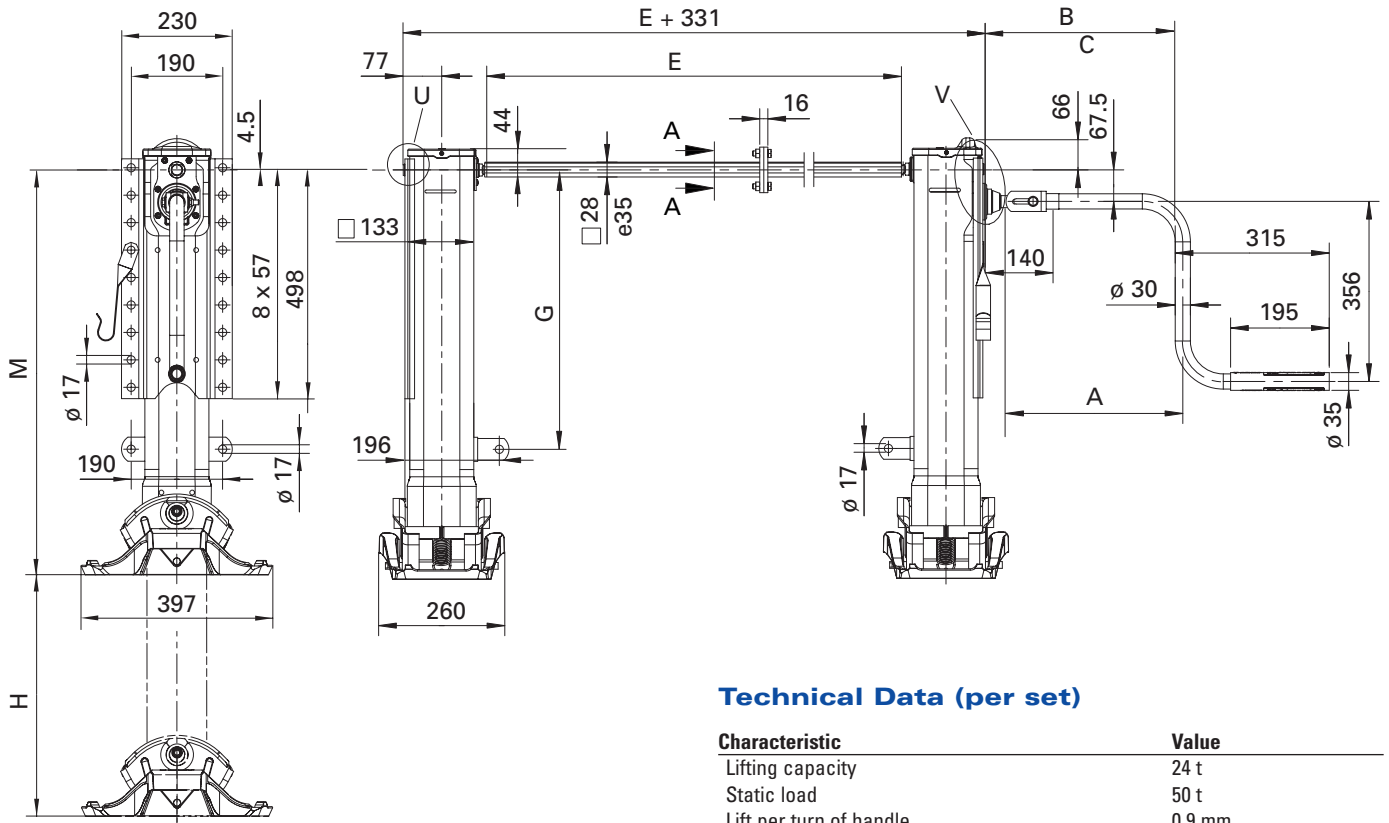
Advantages at a glance

- for semi-trailers with external chassis
- 4 types of ground member

Technical Features

- external back plate
- split cross shaft for easier installation (see special accessories)

Technical Specification



Technical Data (per set)

Characteristic	Value
Lifting capacity	24 t
Static load	50 t
Lift per turn of handle	0,9 mm
- High gear	15,0 mm
Crank force at 16 t super imposed load	210 N

Selection table / Versions available

Order No.	M (mm)	H (mm)	G (mm)	Back plate	Foot
CI101310000	900	560	630	double	S
CI101320000	900	560	630	double	A
CI101340000	900	560	630	double	T
CI101360000	850	560	630	double	TC
CI102310000	850	520	580	double	S
CI102320000	850	520	580	double	A
CI102340000	850	520	580	double	T
CI102360000	800	520	580	double	TC
CI103310000	800	470	530	double	S
CI103320000	800	470	530	double	A

Order No.	M (mm)	H (mm)	G (mm)	Back plate	Foot
CI103340000	800	470	530	double	T
CI103360000	750	470	530	double	TC
CI104310000	750	430	480	double	S
CI104320000	750	430	480	double	A
CI104340000	750	430	480	double	T
CI104360000	700	430	480	double	TC
CI105310000	700	400	430	double	S
CI105320000	700	400	430	double	A
CI105340000	700	400	430	double	T
CI105360000	650	400	430	double	TC

Crank handle

Order No.	A	B (Low gear)	C (High gear)
JS U01	350	381*	400
JS U02	415	446*	465
JS U03	450	481*	500

Remarks:

Please order cranks and connection shafts separately, see also page 111.
* The following applies here: $B = A + 31$

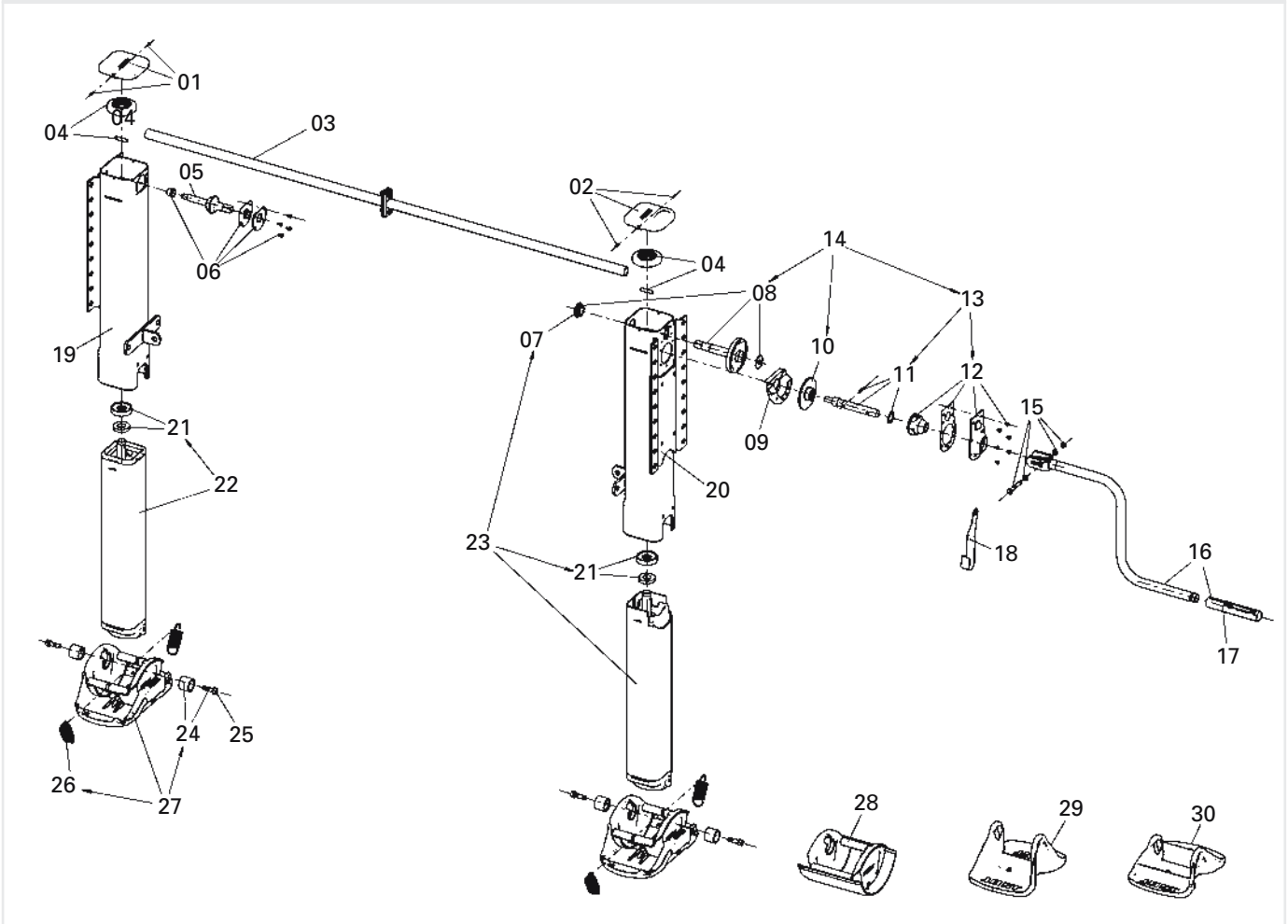
Special Accessories

split connection shaft

Order No.	E (Length of connection shaft)
JS LT20	1840

Modul CI

Spare parts



Item	Description	Remark	Order No.	per Kit
01	Cover, left with bolts		JS E0046100	1
02	Cover, right + bolts		JS E0046300	1
03	See individual components			1
04	Bevel gear with bolts		JS E0058600	2
05	Shaft		JS E0001500	1
06	Bearing	compl.	JS E0046200	1
07	Shaft		JS E0001800	1
08	Shaft with bearing		JS E0058700	1
09	Grease tank		JS E0002000	1
10	Gear		JS E0055800	1
11	Crank shaft	compl.	JS E0046500	1
12	Bearing holder	compl.	JS E0058800	1
13	Crankshaft and bearing holder	compl. with 11 + 12	JS E0056600	1
14	Drive	compl. with 08, 10 + 13	JS E0083700	1
15	Bolts, washers, nuts		JS E0043100	1
16	See individual components			1
17	Crank bushing		JS E0042700	1
18	Crank parking hook	for crank 350 mm (JS U01)	JS E0040200	1
18	Crank parking hook	for crank 415-480 mm (JS U02-JS U04)	JS E0040201	1
18	Crank parking hook	for crank 520-620 mm (JS U05-JS U08)	JS E0040202	1
19	* Mh-01/900 shaft left	Plate A full length	JS E0081501	1
19	* Mh-02/850 shaft left	Plate A full length	JS E0081502	1
19	* Mh-03/800 shaft left	Plate A full length	JS E0081503	1
19	* Mh-04/750 shaft left	Plate A full length	JS E0081504	1
19	* Mh-05/700 shaft left	Plate A full length	JS E0081505	1
20	* Mh-01/900 shaft right	Plate A full length	JS E0081301	1
20	* Mh-02/850 shaft right	Plate A full length	JS E0081302	1
20	* Mh-03/800 shaft right	Plate A full length	JS E0081303	1
20	* Mh-04/750 shaft right	Plate A full length	JS E0081304	1
20	* Mh-05/700 shaft right	Plate A full length	JS E0081305	1
21	Axial bearing with washer		JS E0066401	2
22	* Mh-01/900 inner tube l. + spindle and bearing	with 21	JS E0056401	1
22	* Mh-02/850 inner tube l. + spindle and bearing	with 21	JS E0056402	1
22	* Mh-03/800 inner tube l. + spindle and bearing	with 21	JS E0056403	1
22	* Mh-04/750 inner tube l. + spindle and bearing	with 21	JS E0056404	1
22	* Mh-05/700 inner tube l. + spindle and bearing	with 21	JS E0056405	1



Item	Description	Remark	Order No.	per Kit
23	* Mh-01/900 inner tube r. + spindle and bearing	with 21 + 07	JS E0056201	1
23	* Mh-02/850 inner tube r. + spindle and bearing	with 21 + 07	JS E0056202	1
23	* Mh-03/800 inner tube r. + spindle and bearing	with 21 + 07	JS E0056203	1
23	* Mh-04/750 inner tube r. + spindle and bearing	with 21 + 07	JS E0056204	1
23	* Mh-05/700 inner tube r. + spindle and bearing	with 21 + 07	JS E0056205	1
24	Nut and bolt		JS E0043300	2
25	Bolt		JS E0055300	4
26	Spring		JS E0012900	4
27	S foot	compl. with 24 + 26	JS D01	2
28	A foot	compl. with 24	JS D02	2
29	T foot	compl. with 24	JS D04	2
30	TC foot	compl. with 24	JS D06	2

Individual components, accessories and repair kits

Item	Description	Remark	Order No.	per Kit	Item	Description	Remark	Order No.	per Kit
03	Divided connection shaft 1840 mm		JS LT20	1	16	Crank 480 mm w. parking hook	with 15, 17 + 18	JS U04	1
16	Crank 350 mm w. parking hook	with 15, 17 + 18	JS U01	1	16	Crank 520 mm w. parking hook	with 15, 17 + 18	JS U05	1
16	Crank 415 mm w. parking hook	with 15, 17 + 18	JS U02	1	16	Crank 570 mm w. parking hook	with 15, 17 + 18	JS U07	1
16	Crank 450 mm w. parking hook	with 15, 17 + 18	JS U03	1	16	Crank 620 mm w. parking hook	with 15, 17 + 18	JS U08	1

Landing gear Modul CK

Folding leg with telescopic lift

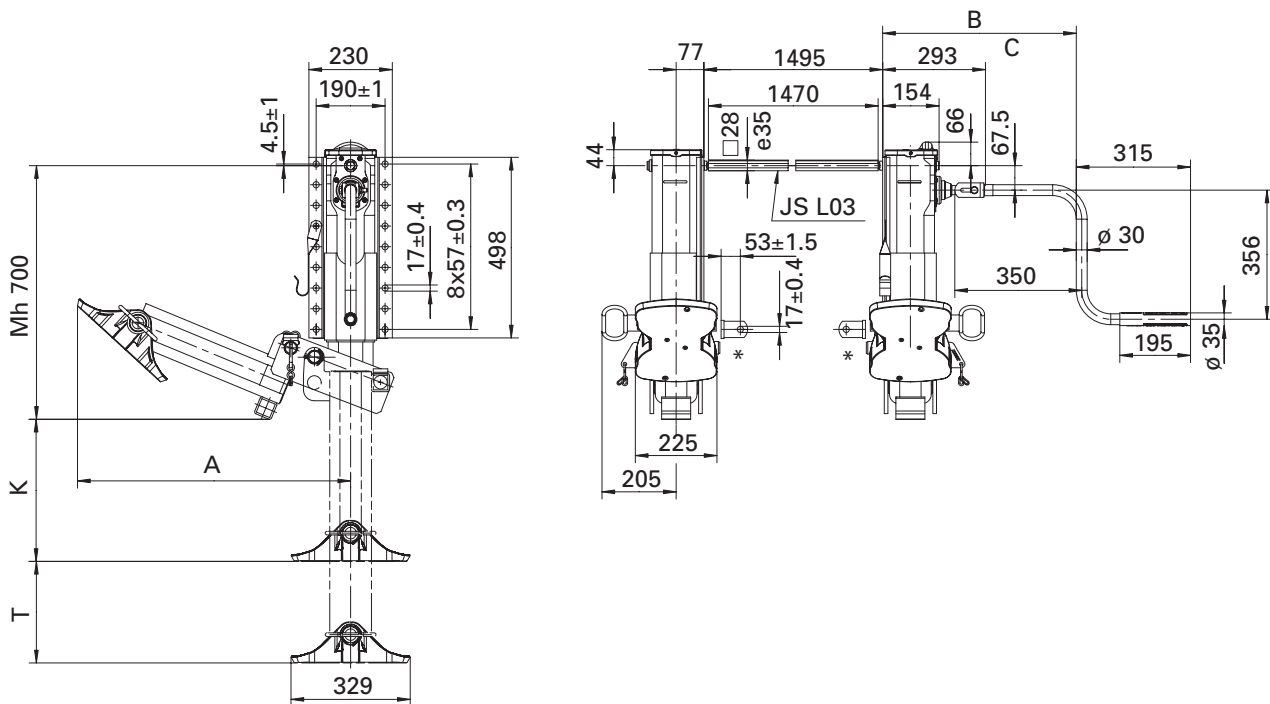
Advantages at a glance

- biggest ground clearance
- increased static load (66 t)

Technical Features

- additional folding lift
- reinforcement
- full length back plate
- HD bearing

Technical Specification



* Bracing lugs are supplied loose

Dimensions A, B and C, see page 111.

Selection table / Versions available

Order No.	K (mm)	T (mm)	total (mm)	A (mm)	Foot
CK105420000	440	280	720	711	A
CK105440000	440	280	720	762	T

Order No.	K (mm)	T (mm)	total (mm)	A (mm)	Foot
CK105460000	390	280	670	754	TC

Technical Data (per set)

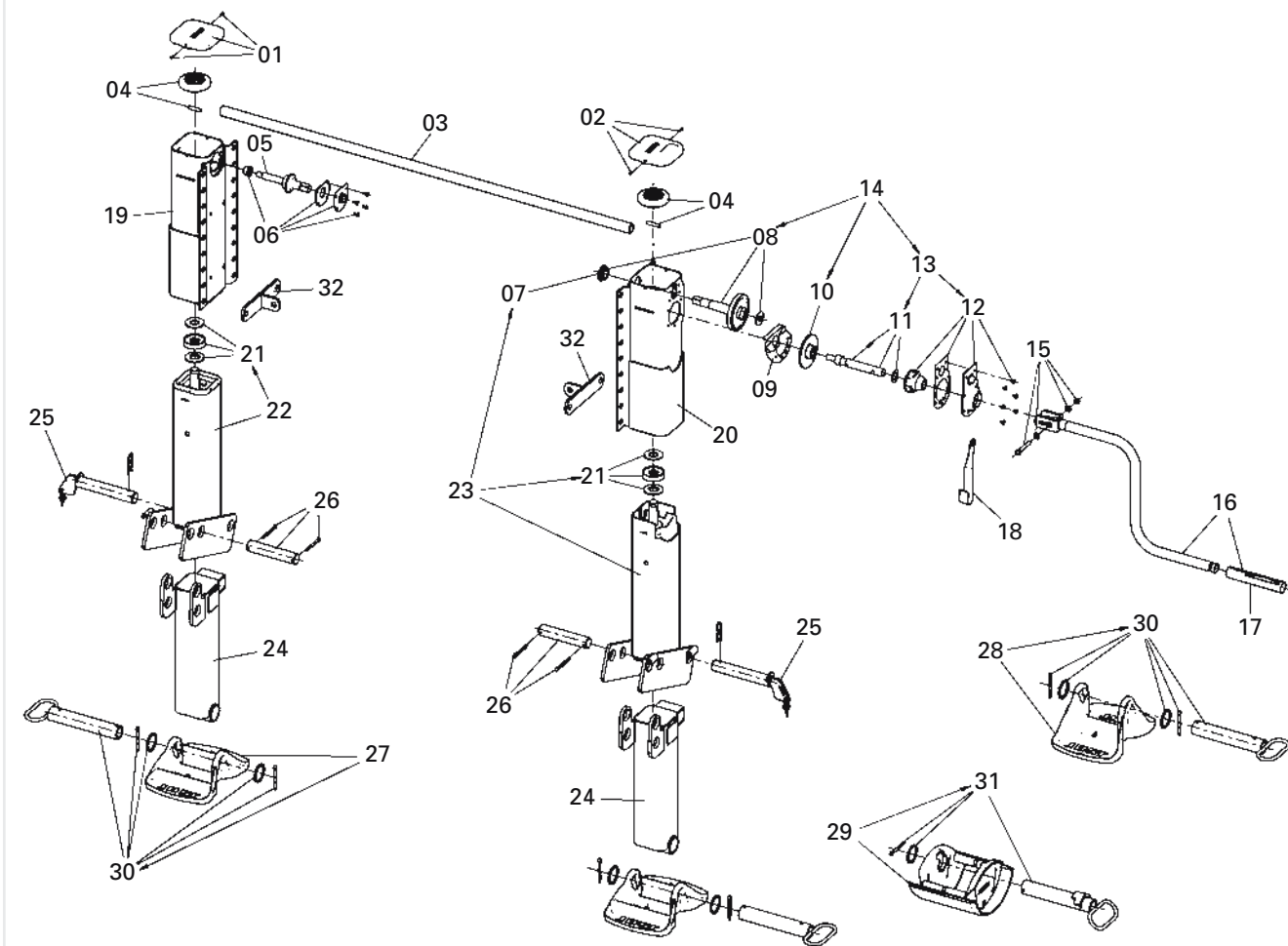
Characteristic	Value
Lifting capacity	24 t
Static load	66 t
Lift per turn of handle	
- Low gear	0,9 mm
- High gear	15,0 mm
Crank force at 16 t super imposed load	210 N

Remarks:

Please order crank handle and connection shaft separately, see page 111.

Modul CK

Spare parts



Item	Description	Remark	Order No.	per Kit
01	Cover, left with bolts		JS E0046100	1
02	Cover, right + bolts		JS E0046300	1
03	see individual components			1
04	Bevel gear with bolts		JS E0058600	2
05	Shaft		JS E0001500	1
06	Bearing	compl.	JS E0046200	1
07	Shaft		JS E0001800	1
08	Shaft with bearing		JS E0058700	1
09	Grease tank		JS E0002000	1
10	Gear		JS E0055800	1
11	Crank shaft	compl.	JS E0046500	1
12	Bearing holder	compl.	JS E0058800	1
13	Crankshaft and bearing holder	compl. with 11 + 12	JS E0056600	1
14	Drive	compl. with 08, 10 + 13	JS E0083700	1
15	Bolts, washers, nuts		JS E0043100	1
16	see individual components			1
17	Crank bushing		JS E0042700	1
18	Crank parking hook	for crank 350 mm (JS U01)	JS E0040200	1
18	Crank parking hook	for crank 415-480 mm (JS U02-JS U04)	JS E0040201	1
18	Crank parking hook	for crank 520-620 mm (JS U05-JS U08)	JS E0040202	1
19	Mh-05/700 shaft left		JS E0089200	1
20	Mh-05/700 shaft right		JS E0088800	1
21	Axial bearing with support washer		JS E0066400	2
22	Mh-05/700 inner tube l. + spindle and bearing	with 21	JS E0089000	1
23	Mh-05/700 inner tube r. + spindle and bearing	with 21 + 07	JS E0088500	1
24	Mh-05/700 Folding pipe		JS E0088400	2
25	Pin	compl.	JS E0090000	2
26	Shaft	compl. for joint	JS E0091800	2
27	TC foot	compl. with 30	JS D06CF	2
28	T foot	compl. with 30	JS D04CF	2
29	A foot	compl. with 31	JS D02CF	2
30	Shaft	compl. for T and TC foot	JS E0085600	2
31	Shaft	compl. for A foot	JS E0071800	2
32	Angle		JS E010.001	2

Individual components, accessories and repair kits

Item	Description	Remark	Order No.	per Kit	Item	Description	Remark	Order No.	per Kit
03	Connection shaft 1340 mm		JS L01	1	16	Crank 350 mm w. parking hook	with 15, 17 + 18	JS U01	1
03	Connection shaft 1450 mm		JS L02	1	16	Crank 415 mm w. parking hook	with 15, 17 + 18	JS U02	1
03	Connection shaft 1470 mm		JS L03	1	16	Crank 450 mm w. parking hook	with 15, 17 + 18	JS U03	1
03	Connection shaft 1500 mm		JS L04	1	16	Crank 480 mm w. parking hook	with 15, 17 + 18	JS U04	1
03	Connection shaft 1505 mm		JS L05	1	16	Crank 520 mm w. parking hook	with 15, 17 + 18	JS U05	1
03	Connection shaft 1575 mm		JS L06	1	16	Crank 570 mm w. parking hook	with 15, 17 + 18	JS U07	1
03	Connection shaft 1605 mm		JS L07	1	16	Crank 620 mm w. parking hook	with 15, 17 + 18	JS U08	1
03	Connection shaft 1635 mm		JS L08	1					
03	Connection shaft 1700 mm		JS L09	1					
03	Connection shaft 1790 mm		JS L10	1					



Landing gear Modul CS

Stabilising leg

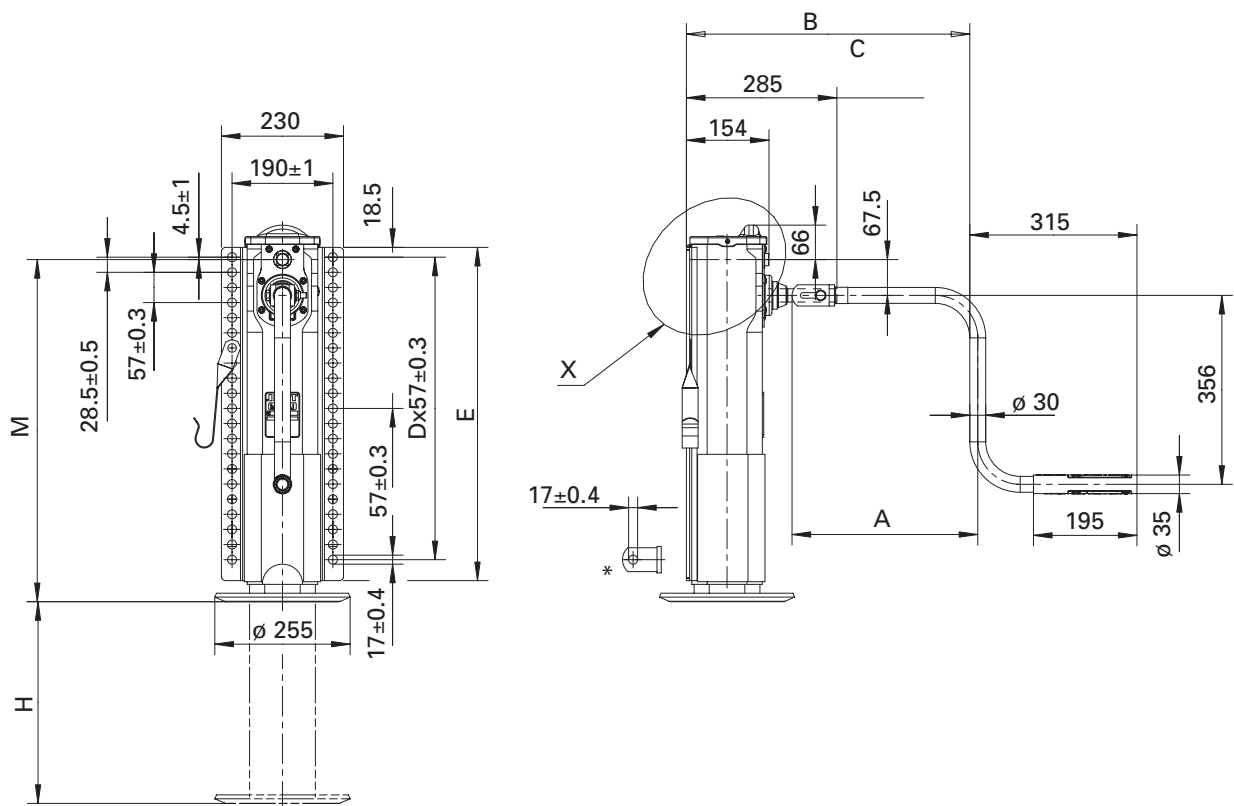
Advantages at a glance

- for liquid and bulk tipper (rear)
- support while unloading
- levelling
- integrated lubricant cartridge – no need to lubricate the spindle
- high degree of installation variability thanks to double bolt hole pattern
- additional spindle nut
 - additional protection against wear and tear
 - minimal risk of accidents
- compact seal between rear bearing cover and back plate

Technical Features

- fully sealed gearbox
- full length back plate
- reinforcement
- HD bearing
- reinforced inner tube
- reinforced rigid foot

Technical Specification



* Bracing lugs are supplied loose
Dimensions A, B and C, see page 111.

Selection table / Versions available

Order No.	M (mm)	H (mm)	D (mm)	E (mm)	Back plate	Foot
CS1044700R	750	470	12	728	full length	T rigid
CS1064700R	650	380	10	628	full length	T rigid
CS1084700R	600	330	9	578	full length	T rigid

Order No.	M (mm)	H (mm)	D (mm)	E (mm)	Back plate	Foot
CS1094700R	550	280	8	528	full length	T rigid
CS1054700R	700	380	11	678	full length	T rigid

Technical Data (per piece / set)

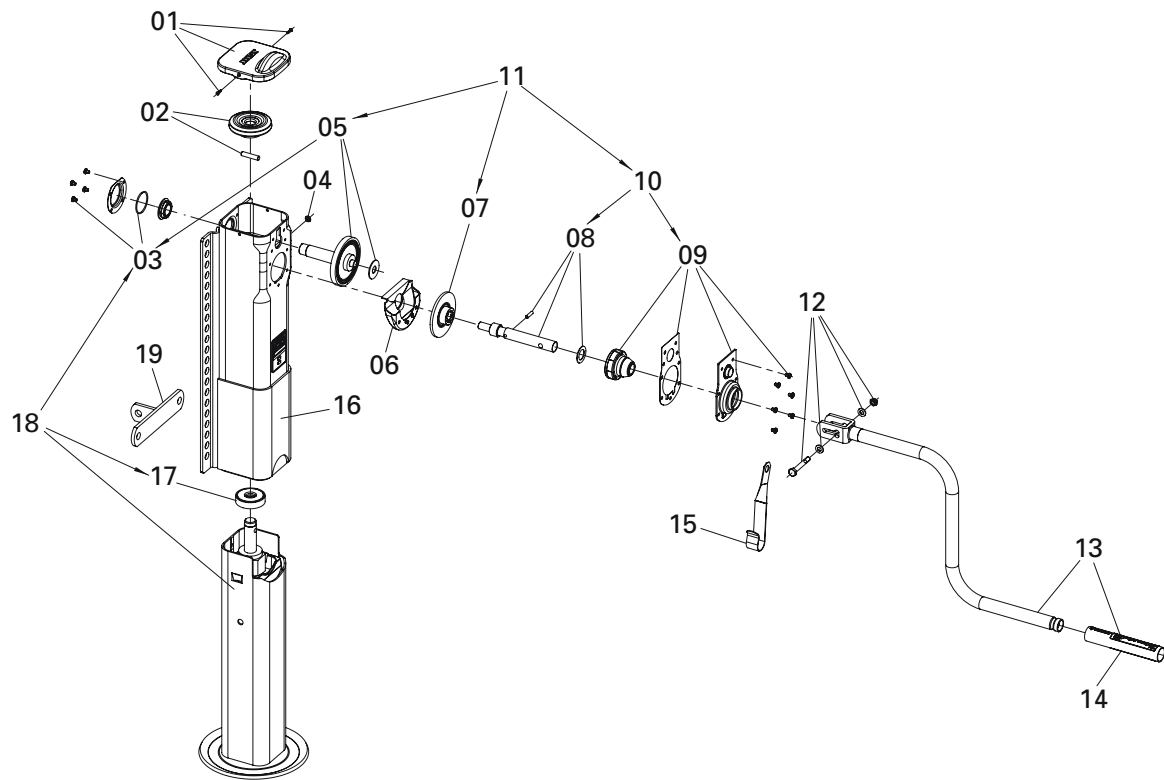
Characteristic	Value
Lifting capacity	12 t / 24 t
Static load	33 t / 66 t
Lift per turn of handle	
- Low gear	0,9 mm
- High gear	15,0 mm
Crank force at 8 t lifting capacity	110 N

Remarks:

Please order crank handle separately, see page 111.
Two stabilizer legs are required per trailer.
There is no cross shaft.

Modul CS

Spare parts

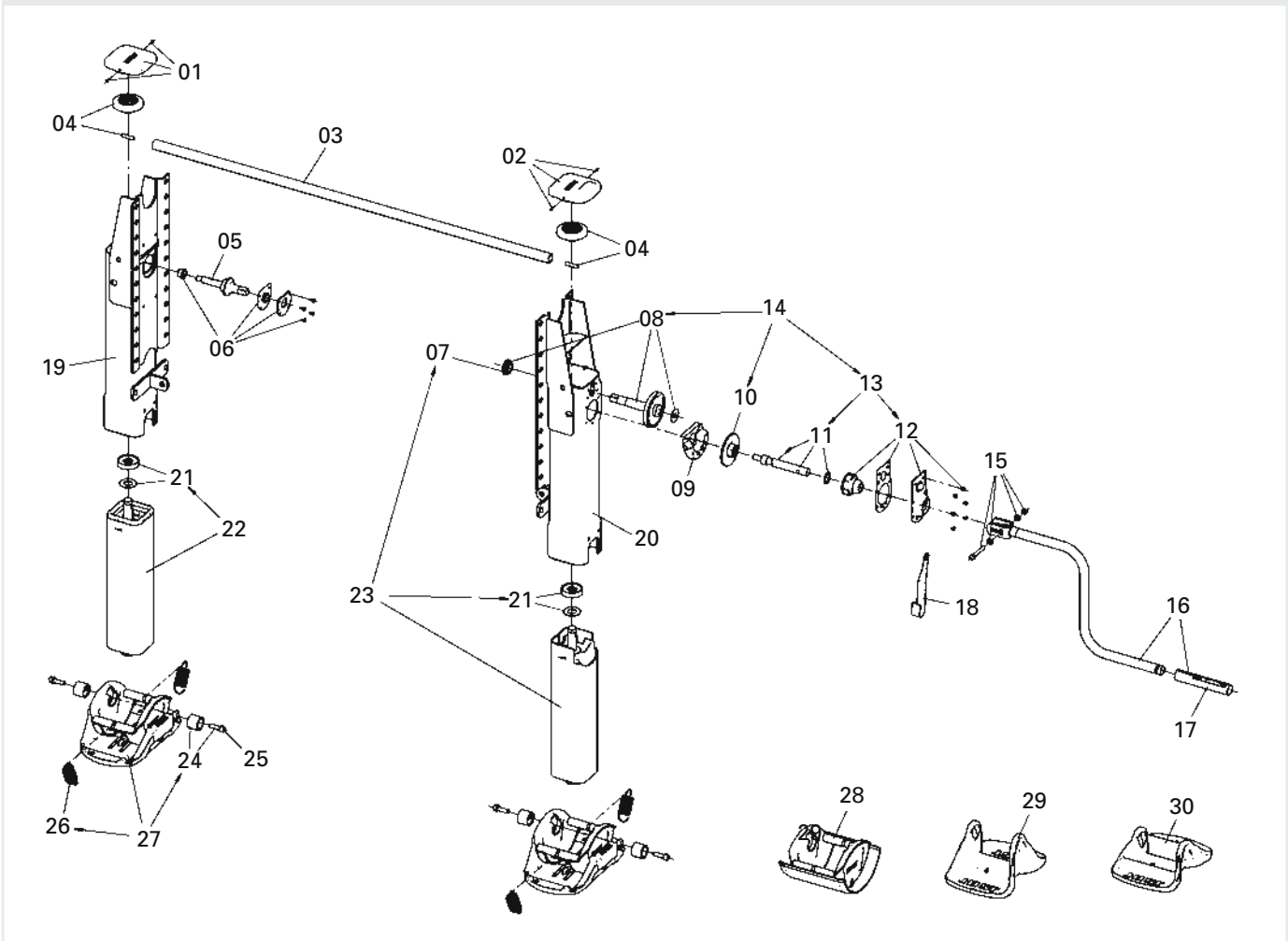


Item	Description	Remark	Order No.	per Kit
01	Cover, right + bolts		JS E0046300	1
02	Bevel gear with bolts		JS E0058600	1
03	Cover with bearing	compl.	JS E0083900	1
03	Cover with bearing	compl. from series 0072322	JS E0083901	1
04	Grease nipple with protective cap		JS E0084000	1
05	Shaft with bearing		JS E0084100	1
06	Grease tank		JS E0002000	1
07	Gear		JS E0055800	1
08	Crank shaft	compl.	JS E0046500	1
09	Bearing holder	compl.	JS E0058800	1
10	Crankshaft and bearing holder	compl. with 08 + 09	JS E0056600	1
11	Drive	compl. with 05, 07 + 10	JS E0084300	1
12	Bolts, washers, nuts		JS E0043100	1
13	Crank 350 mm w. parking hook	with 12, 14 + 15	JS U01	1
13	Crank 415 mm w. parking hook	with 12, 14 + 15	JS U02	1
13	Crank 450 mm w. parking hook	with 12, 14 + 15	JS U03	1
13	Crank 480 mm w. parking hook	with 12, 14 + 15	JS U04	1
13	Crank 520 mm w. parking hook	with 12, 14 + 15	JS U05	1
13	Crank 570 mm w. parking hook	with 12, 14 + 15	JS U07	1
13	Crank 620 mm w. parking hook	with 12, 14 + 15	JS U08	1
14	Crank bushing		JS E0042700	1
15	Crank parking hook	for crank 350 mm (JS U01)	JS E0040200	1
15	Crank parking hook	for crank 415-480 mm (JS U02-JS U04)	JS E0040201	1
15	Crank parking hook	for crank 520-620 mm (JS U05-JS U08)	JS E0040202	1
16	Mh-04/750 shaft right		JS E0068303	1
16	Mh-05/700 shaft right		JS E0068302	1
16	Mh-06/650 shaft right		JS E0068301	1
16	Mh-08/600 shaft right		JS E0068304	1
16	Mh-09/550 shaft right		JS E0068305	1
17	Axial bearing with support washer		JS E0066400	1
18	Mh-04/750 inner tube r. + spindle and bearing	with 17 + 03 (JS E0083901)	JS E0067003	1
18	Mh-05/700 inner tube r. + spindle and bearing	with 17 + 03 (JS E0083901)	JS E0067002	1
18	Mh-06/650 inner tube r. + spindle and bearing	with 17 + 03 (JS E0083901)	JS E0067001	1
18	Mh-08/600 inner tube r. + spindle and bearing	with 17 + 03 (JS E0083901)	JS E0067004	1
18	Mh-09/550 inner tube r. + spindle and bearing	with 17 + 03 (JS E0083901)	JS E0067005	1
19	Angle		JS E010.001	1



Modul CT

Spare parts



Item	Description	Remark	Order No.	per Kit
01	Cover, left with bolts		JS E0046100	1
02	Cover, right + bolts		JS E0046300	1
03	see individual components			1
04	Bevel gear with bolts		JS E0058600	2
05	Shaft		JS E0001500	1
06	Bearing	compl.	JS E0046200	1
07	Shaft		JS E0001800	1
08	Shaft with bearing		JS E0058700	1
09	Grease tank		JS E0002000	1
10	Gear		JS E0055800	1
11	Crank shaft	compl.	JS E0046500	1
12	Bearing holder	compl.	JS E0058800	1
13	Crankshaft and bearing holder	compl. with 11 + 12	JS E0056600	1
14	Drive	compl. with 08, 10 + 13	JS E0083700	1
15	Bolts, washers, nuts		JS E0043100	1
16	see individual components			1
17	Crank bushing		JS E0042700	1
18	Crank parking hook	for crank 350 mm (JS U01)	JS E0040200	1
18	Crank parking hook	for crank 415-480 mm (JS U02-JS U04)	JS E0040201	1
18	Crank parking hook	for crank 520-620 mm (JS U05-JS U08)	JS E0040202	1
19	Mh-03/800 shaft left		JS E0075603	1
19	Mh-04/750 shaft left		JS E0075602	1
19	Mh-05/700 shaft left		JS E0075601	1
20	Mh-03/800 shaft right		JS E0075703	1
20	Mh-04/750 shaft right		JS E0075702	1
20	Mh-05/700 shaft right		JS E0075701	1
21	Axial bearing with washer		JS E0066401	2
22	Mh-03/800 inner tube l. + spindle and bearing	with 21	JS E0056403	1
22	Mh-04/750 inner tube l. + spindle and bearing	with 21	JS E0056404	1
22	Mh-05/700 inner tube l. + spindle and bearing	with 21	JS E0056405	1
23	Mh-03/800 inner tube r. + spindle and bearing	with 21 + 07	JS E0056203	1
23	Mh-04/750 inner tube r. + spindle and bearing	with 21 + 07	JS E0056204	1
23	Mh-05/700 inner tube r. + spindle and bearing	with 21 + 07	JS E0056205	1
24	Nut and bolt		JS E0043300	2
25	Bolt		JS E0055300	4



Item	Description	Remark	Order No.	per Kit
26	Spring		JS E0012900	4
27	S foot	compl. with 24 + 26	JS D01	2
28	A foot	compl. with 24	JS D02	2
29	T foot	compl. with 24	JS D04	2
30	TC foot	compl. with 24	JS D06	2

Individual components, accessories and repair kits

Item	Description	Remark	Order No.	per Kit	Item	Description	Remark	Order No.	per Kit
03	Connection shaft 1340 mm		JS L01	1	16	Crank 350 mm w. parking hook	with 15, 17 + 18	JS U01	1
03	Connection shaft 1450 mm		JS L02	1	16	Crank 415 mm w. parking hook	with 15, 17 + 18	JS U02	1
03	Connection shaft 1470 mm		JS L03	1	16	Crank 450 mm w. parking hook	with 15, 17 + 18	JS U03	1
03	Connection shaft 1500 mm		JS L04	1	16	Crank 480 mm w. parking hook	with 15, 17 + 18	JS U04	1
03	Connection shaft 1505 mm		JS L05	1	16	Crank 520 mm w. parking hook	with 15, 17 + 18	JS U05	1
03	Connection shaft 1575 mm		JS L06	1	16	Crank 570 mm w. parking hook	with 15, 17 + 18	JS U07	1
03	Connection shaft 1605 mm		JS L07	1	16	Crank 620 mm w. parking hook	with 15, 17 + 18	JS U08	1
03	Connection shaft 1635 mm		JS L08	1					
03	Connection shaft 1700 mm		JS L09	1					
03	Connection shaft 1790 mm		JS L10	1					

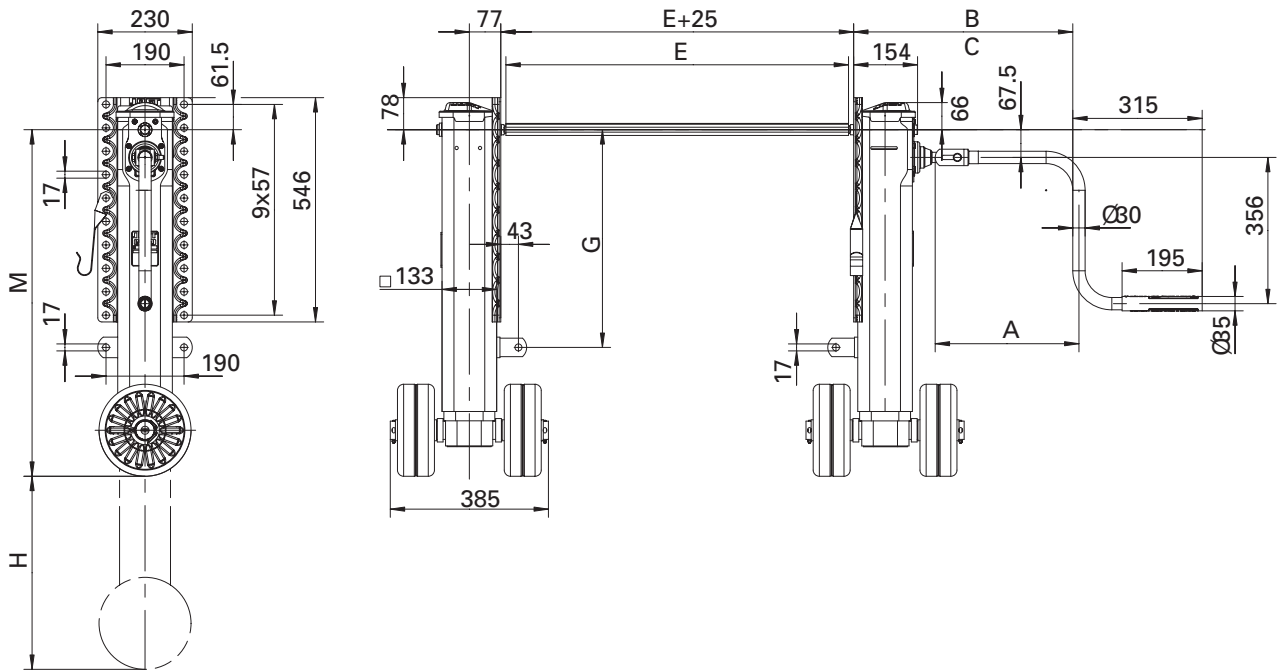
Landing gear Modul CW

Roller

Advantages at a glance

- weight-optimised
- especially robust

Technical Specification



Selection table / Versions available

Order No.	M (mm)	H (mm)	Dimension A
CW161330000	945	560	630
CW162330000	895	520	580
CW163330000	845	470	530
CW164330000	795	430	
CW165330000	745	400	
CW166330000	695	350	

Technical Data (per set)

Characteristic	Value
Lifting capacity	24 t
Static load	36 t
Lift per turn of handle	
- Low gear	0,9 mm
- High gear	15,0 mm
Crank force at 16 t super imposed load	210 N

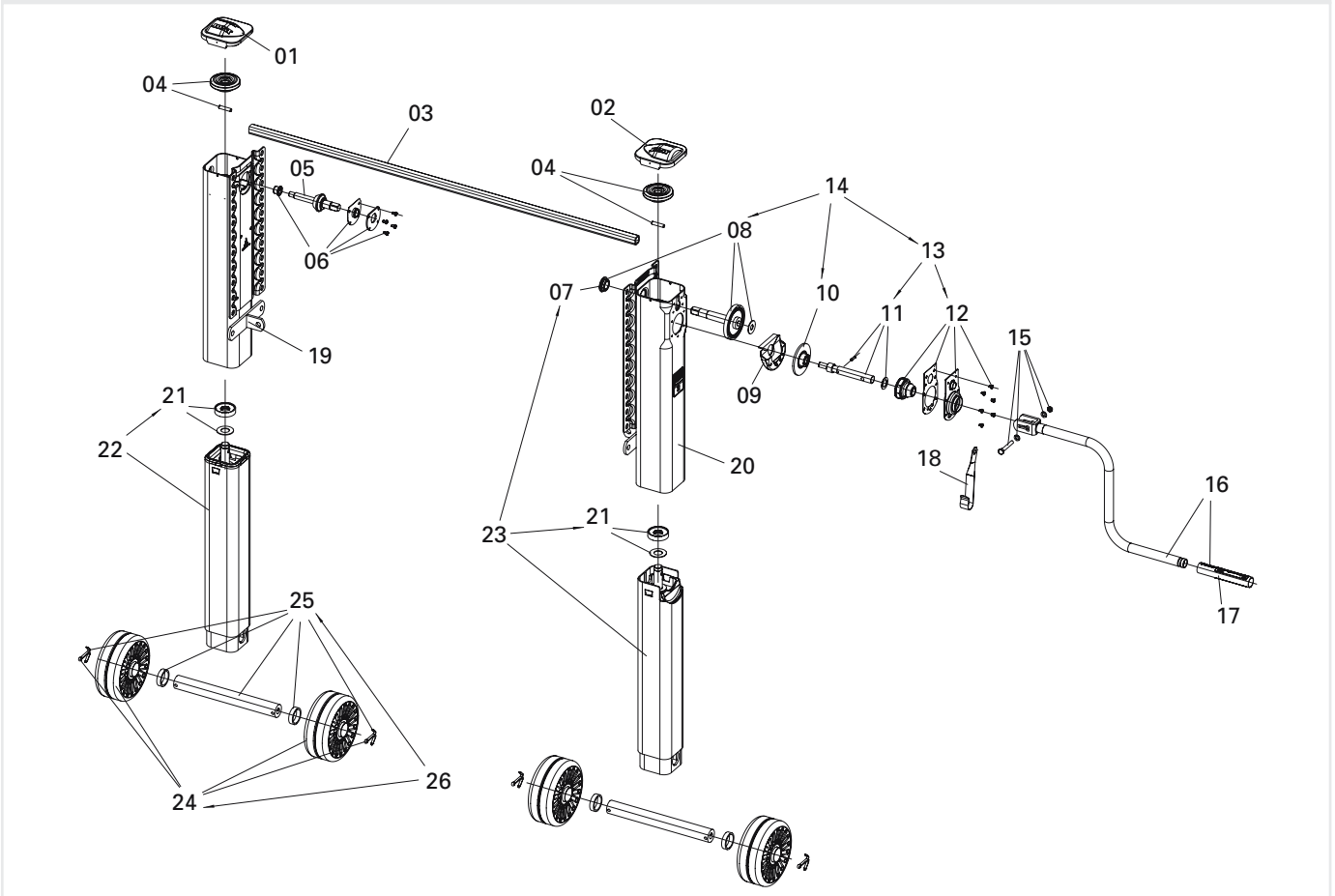
Remarks:

Please order crank handle and connection shaft separately, see page 111.



Modul CW

Spare parts



Item	Description	Remark	Order No.	per Kit
01	Cover, left with bolts		JS E0046100	1
02	Cover with bolts		JS E0046300	1
03	See individual components			1
04	Bevel gear with bolts		JS E0058600	2
05	Shaft		JS E0001500	1
06	Bearing	compl.	JS E0046200	1
07	Shaft		JS E0001800	1
08	Shaft with bearing		JS E0058700	1
09	Grease tank		JS E0002000	1
10	Gear		JS E0055800	1
11	Crank shaft	compl.	JS E0046500	1
12	Bearing holder	compl.	JS E0058800	1
13	Crankshaft and bearing holder, compl.	with 11 + 12	JS E0056600	1
14	Drive, compl.	with 08, 10 + 13	JS E0083700	1
15	Bolts, washers, nuts		JS E0043100	1
16	See individual components			1
17	Crank bushing		JS E0042700	1
18	Crank parking hook for crank 350 mm	for crank 350 mm (JS U01)	JS E0040200	1
18	Crank parking hook for crank 415-480 mm	for crank 415-480 mm (JS U02-JS U04)	JS E0040201	1
18	Crank parking hook for crank 520-620 mm	for crank 520-620 mm (JS U05-JS U08)	JS E0040202	1
19	Mh-01/945 shaft left + Brace lug	Double plate	JS E0100731	1
19	Mh-02/895 shaft left + Brace lug	Double plate	JS E0100732	1
19	Mh-03/845 shaft left + Brace lug	Double plate	JS E0100733	1
19	Mh-04/795 shaft left	Double plate	JS E0100734	1
19	Mh-05/745 shaft left	Double plate	JS E0100735	1
19	Mh-06/695 shaft left	Double plate	JS E0100736	1
20	Mh-01/945 shaft right + Brace lug	Double plate	JS E0100631	1
20	Mh-02/895 shaft right + Brace lug	Double plate	JS E0100632	1
20	Mh-03/845 shaft right + Brace lug	Double plate	JS E0100633	1
20	Mh-04/795 shaft right	Double plate	JS E0100634	1
20	Mh-05/745 shaft right	Double plate	JS E0100635	1
20	Mh-06/695 shaft right	Double plate	JS E0100636	1
21	Axial bearing with washer		JS E0066401	2
22	Mh-01/945 inner tube l. + spindle	with 21	JS E0100501	1
22	Mh-02/895 inner tube l. + spindle	with 21	JS E0100502	1
22	Mh-03/845 inner tube l. + spindle	with 21	JS E0100503	1
22	Mh-04/795 inner tube l. + spindle	with 21	JS E0100504	1
22	Mh-05/745 inner tube l. + spindle	with 21	JS E0100505	1

Item	Description	Remark	Order No.	per Kit
22	Mh-06/695 inner tube l. + spindle	with 21	JS E0100506	1
23	Mh-01/945 inner tube r. + spindle	with 21 + 07	JS E0100301	1
23	Mh-02/895 inner tube r. + spindle	with 21 + 07	JS E0100302	1
23	Mh-03/845 inner tube r. + spindle	with 21 + 07	JS E0100303	1
23	Mh-04/795 inner tube r. + spindle	with 21 + 07	JS E0100304	1
23	Mh-05/745 inner tube r. + spindle	with 21 + 07	JS E0100305	1
23	Mh-06/695 inner tube r. + spindle	with 21 + 07	JS E0100306	1
24	Wheels with split pins **		JS E0062200	2
25	Shaft compl. for R foot		JS E0083500	2
26	R foot compl.	with 24 + 25	JS D03CW	2

Individual components, accessories and repair kits

Item	Description	Remark	Order No.	per Kit	Item	Description	Remark	Order No.	per Kit
03	Connection shaft 1340 mm		JS L01	1	16	Crank 350 mm w. parking hook	with 15, 17 + 18	JS U01	1
03	Connection shaft 1450 mm		JS L02	1	16	Crank 415 mm w. parking hook	with 15, 17 + 18	JS U02	1
03	Connection shaft 1470 mm		JS L03	1	16	Crank 450 mm w. parking hook	with 15, 17 + 18	JS U03	1
03	Connection shaft 1500 mm		JS L04	1	16	Crank 480 mm w. parking hook	with 15, 17 + 18	JS U04	1
03	Connection shaft 1505 mm		JS L05	1	16	Crank 520 mm w. parking hook	with 15, 17 + 18	JS U05	1
03	Connection shaft 1575 mm		JS L06	1	16	Crank 570 mm w. parking hook	with 15, 17 + 18	JS U07	1
03	Connection shaft 1605 mm		JS L07	1	16	Crank 620 mm w. parking hook	with 15, 17 + 18	JS U08	1
03	Connection shaft 1635 mm		JS L08	1					
03	Connection shaft 1700 mm		JS L09	1					
03	Connection shaft 1790 mm		JS L10	1					



Landing gear Modul CY

Ferry

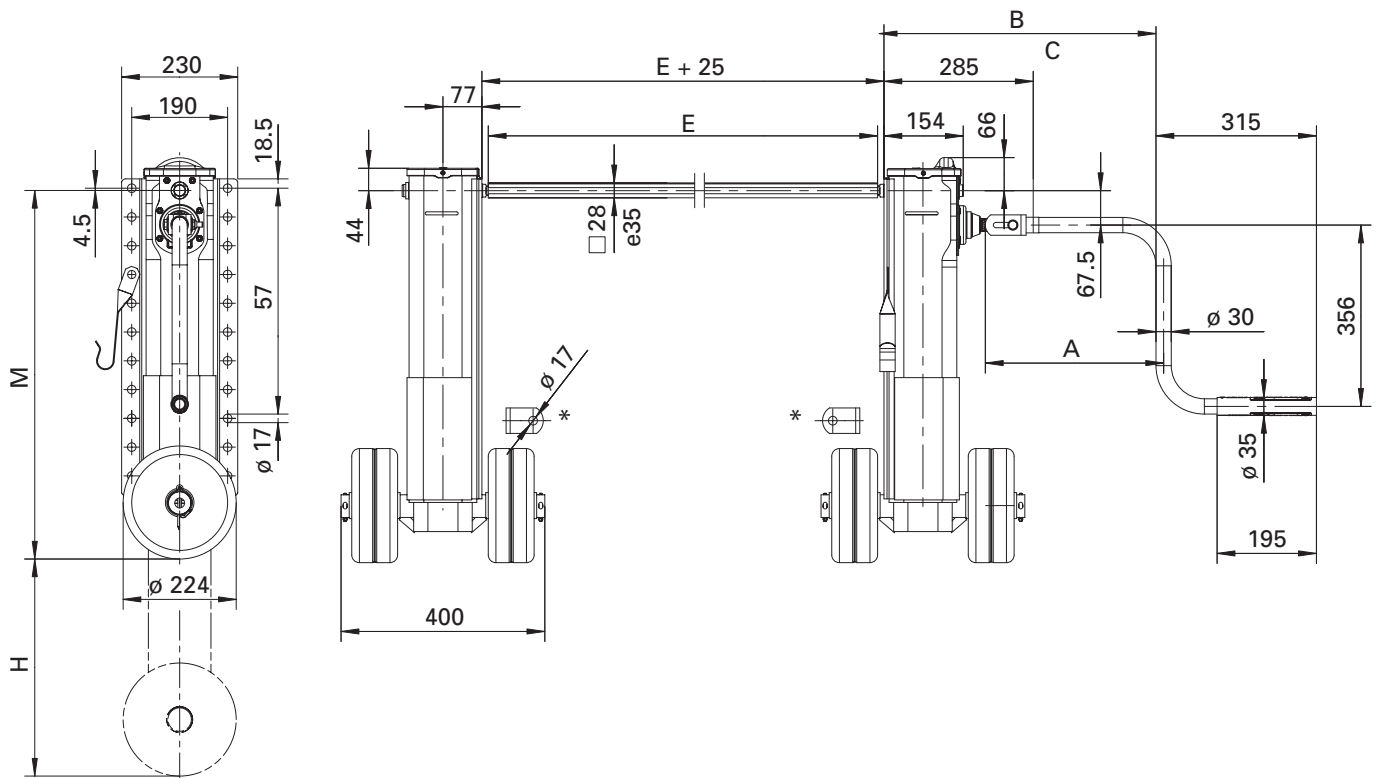
Advantages at a glance

- for ro-ro traffic
- compact installation
- large stroke combined with low mounting height
- highest resistance to bending
- shock resistant

Technical Features

- full length back plate
- reinforcement
- HD bearing
- reinforced inner tube
- reinforced wheels

Technical Specification



* Bracing lugs are supplied loose
Dimensions A, B and C, see page 111.

Selection table / Versions available

Order No.	M (mm)	H (mm)	Back plate	Foot
CY129450000	730	430	full length	L
CY106450000	650	350	full length	L

Technical Data (per set)

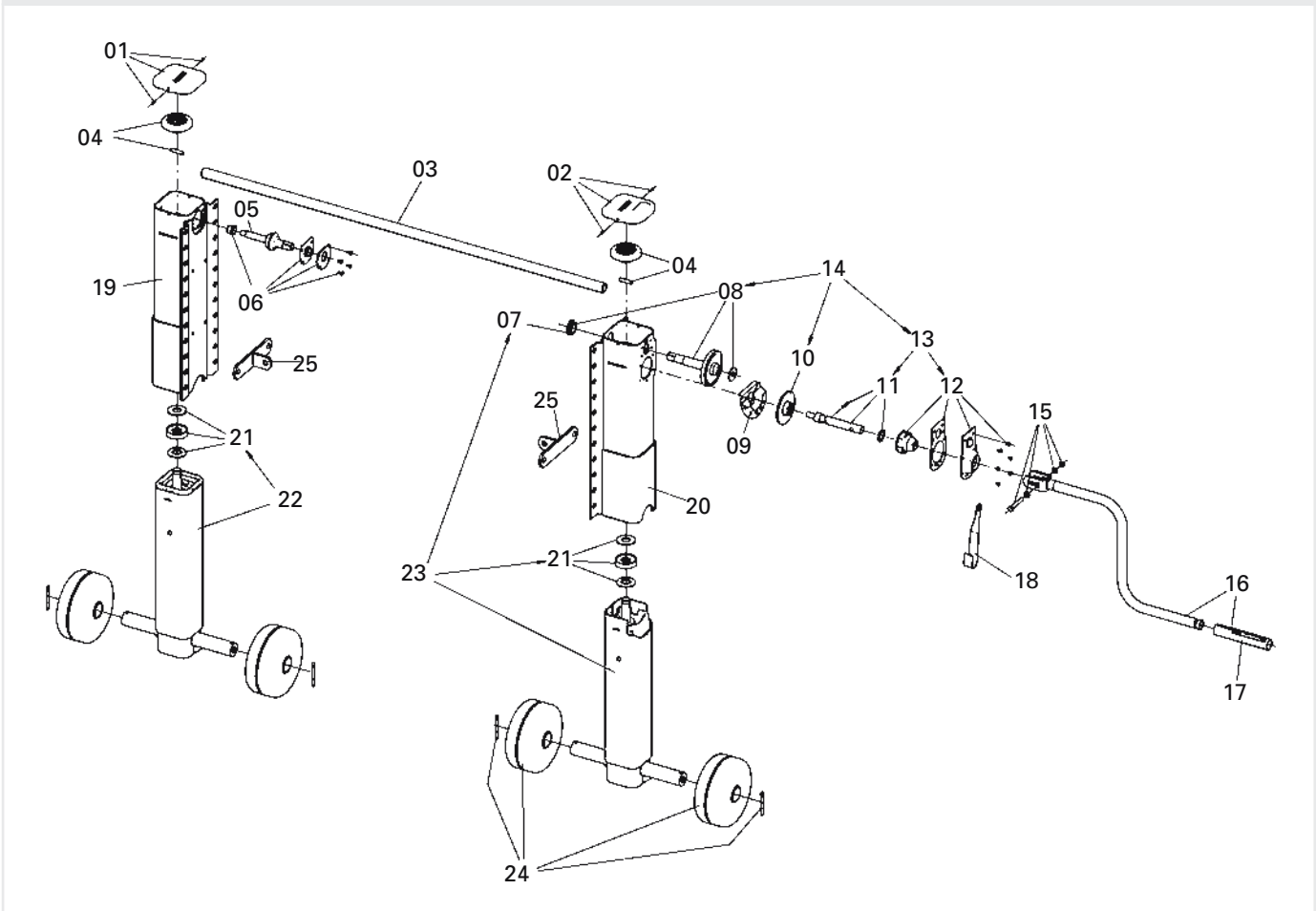
Characteristic	Value
Lifting capacity	24 t
Static load	50 t
Lift per turn of handle	
- Low gear	0,9 mm
- High gear	15,0 mm
Crank force at 16 t super imposed load	210 N

Remarks:

Please order crank handle and connection shaft separately, see page 111.

Modul CY

Spare parts



Item	Description	Remark	Order No.	per Kit
01	Cover, left with bolts		JS E0046100	1
02	Cover, right + bolts		JS E0046300	1
03	see individual components			1
04	Bevel gear with bolts		JS E0058600	2
05	Shaft		JS E0001500	1
06	Bearing	compl.	JS E0046200	1
07	Shaft		JS E0001800	1
08	Shaft with bearing		JS E0058700	1
09	Grease tank		JS E0002000	1
10	Gear		JS E0055800	1
11	Crank shaft	compl.	JS E0046500	1
12	Bearing holder	compl.	JS E0058800	1
13	Crankshaft and bearing holder	compl. with 11 + 12	JS E0056600	1
14	Drive	compl. with 08, 10 + 13	JS E0083700	1
15	Bolts, washers, nuts		JS E0043100	1
16	see individual components			1
17	Crank bushing		JS E0042700	1
18	Crank parking hook	for crank 350 mm (JS U01)	JS E0040200	1
18	Crank parking hook	for crank 415-480 mm (JS U02-JS U04)	JS E0040201	1
18	Crank parking hook	for crank 520-620 mm (JS U05-JS U08)	JS E0040202	1
19	Mh-29/730 shaft left		JS E0062608	1
19	Mh-06/650 shaft left		JS E0062611	1
20	Mh-29/730 shaft right		JS E0062508	1
20	Mh-06/650 shaft right		JS E0062511	1
21	Axial bearing with support washer		JS E0066400	2
22	Mh-29/730 inner tube l. + spindle and bearing	with 21	JS E0065101	1
22	Mh-06/650 inner tube l. + spindle and bearing	with 21	JS E0065102	1
23	Mh-29/730 inner tube r. + spindle and bearing	with 21 + 07	JS E0065001	1
23	Mh-06/650 inner tube r. + spindle and bearing	with 21 + 07	JS E0065002	1
24	Wheels with split pins		JS E0083800	2
25	Angle		JS E010.001	2



Individual components, accessories and repair kits

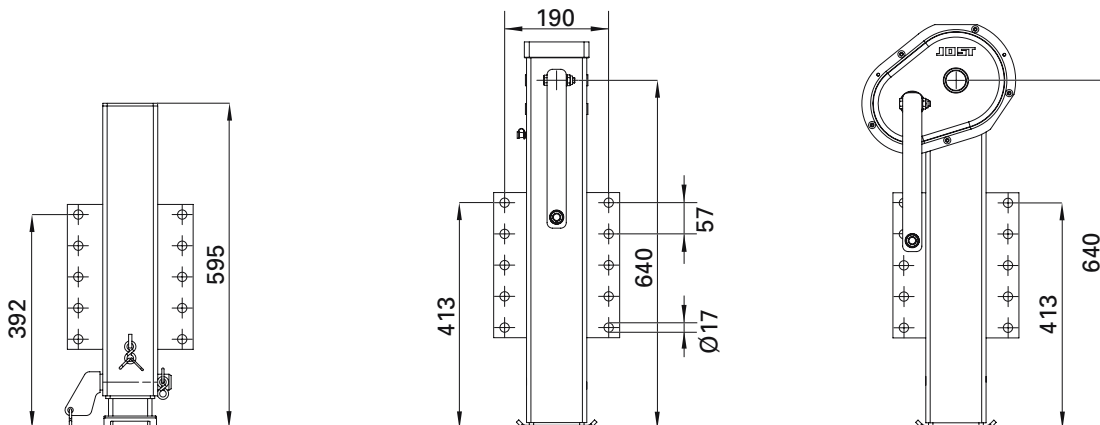
Item	Description	Remark	Order No.	per Kit	Item	Description	Remark	Order No.	per Kit
03	Connection shaft 1340 mm		JS L01	1	16	Crank 350 mm w. parking hook	with 15, 17 + 18	JS U01	1
03	Connection shaft 1450 mm		JS L02	1	16	Crank 415 mm w. parking hook	with 15, 17 + 18	JS U02	1
03	Connection shaft 1470 mm		JS L03	1	16	Crank 450 mm w. parking hook	with 15, 17 + 18	JS U03	1
03	Connection shaft 1500 mm		JS L04	1	16	Crank 480 mm w. parking hook	with 15, 17 + 18	JS U04	1
03	Connection shaft 1505 mm		JS L05	1	16	Crank 520 mm w. parking hook	with 15, 17 + 18	JS U05	1
03	Connection shaft 1575 mm		JS L06	1	16	Crank 570 mm w. parking hook	with 15, 17 + 18	JS U07	1
03	Connection shaft 1605 mm		JS L07	1	16	Crank 620 mm w. parking hook	with 15, 17 + 18	JS U08	1
03	Connection shaft 1635 mm		JS L08	1					
03	Connection shaft 1700 mm		JS L09	1					
03	Connection shaft 1790 mm		JS L10	1					

Drawbar landing legs

For all central axle trailers, both for road traffic and agricultural use.

The legs can be welded or bolted on.

Drawbar landing legs fixed

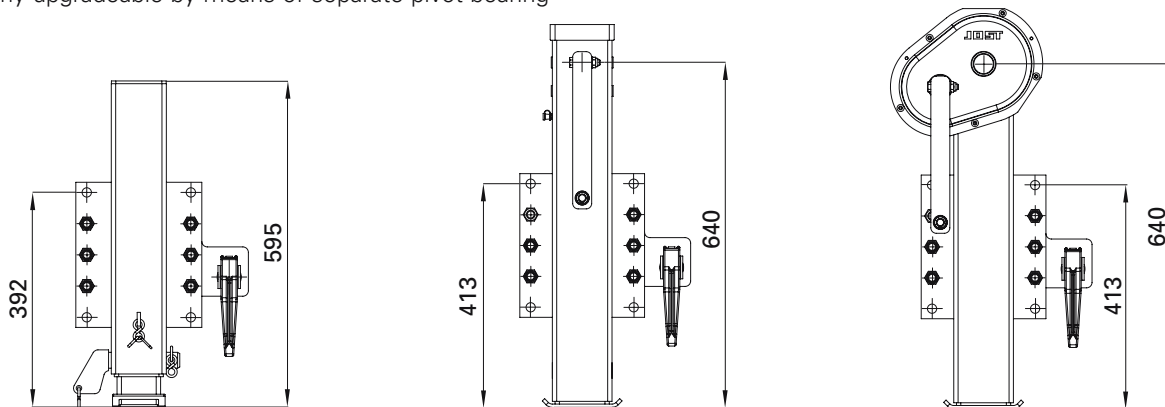


Selection table / Versions available (fixed)

Order No.	Description	Static load (t)	Lifting capacity (t)	Lift (mm)
SD0702700	Stabiliser	5		160 + 4x50
SD1312700	Single speed leg	10	2	370
SD2312700	2-geaspeed leg	12	10	370

Swivelling model

- Added ground clearance (with swivel joint)
- Modularly upgradeable by means of separate pivot bearing



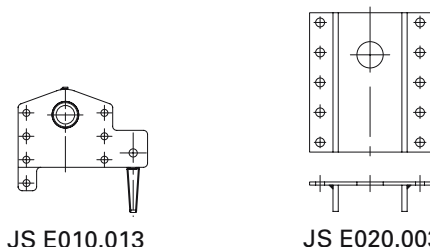
Selection table / Versions available (swivelling)

Order No.	Description	Static load (t)	Lifting capacity (t)	Lift (mm)
SD0702700B4	Stabiliser with pivot bearing	5		160 + 4x50
SD1312700B4	Single speed leg with pivot bearing	5	2	370
SD2312700B4	2-speed leg with pivot bearing	5	5	370

Pivot bearing JS E010.013, with bolt kit JS E020.005 included loose

Accessories

Order No.	Description
JS E010.013	Pivot bearing
JS E020.005	Bolt kit (12 bolts and nuts)
JS E020.003	Back plate
JS U31	Tandem crank handle, folding
JS U32	Tandem crank handle, rigid



JS E010.013

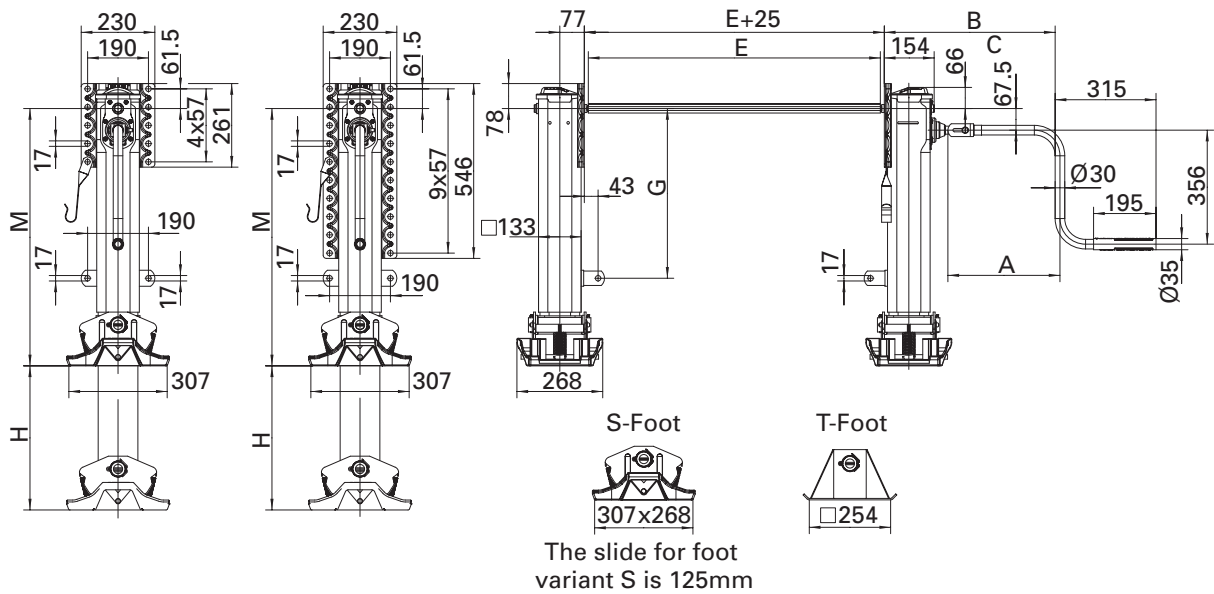
JS E020.003

Landing gear L500

Advantages at a glance

- patented drive on the inside
- landing gear that can be used universally
- Accessories and spare parts are usually compatible with the Modul B series
- all three plate positions are available
- all commonly-used mounting heights
- S- and T foot

Technical Specification



Selection table / Versions available

S-Foot

Order No.	M (mm)	H (mm)	A (mm)	Back plate
L500S700-1	700	350	430	upper
L500S700-2*	700	350	-	lower
L500S700-3*	700	350	-	full length
L500S750-1	750	400	480	upper
L500S750-2*	750	400	-	lower
L500S750-3*	750	400	-	full length
L500S800-1	800	450	530	upper
L500S800-2*	800	450	-	lower
L500S800-3	800	450	530	full length
L500S850-1	850	500	580	upper
L500S850-2	850	500	580	lower
L500S850-3	850	500	580	full length

T-Foot

Order No.	M (mm)	H (mm)	A (mm)	Back plate
L500T690-1	690	350	430	upper
L500T690-2*	690	350	-	lower
L500T690-3*	690	350	-	full length
L500T740-1	740	400	480	upper
L500T740-2*	740	400	-	lower
L500T740-3*	740	400	-	full length
L500T790-1	790	450	530	upper
L500T790-2	790	450	530	lower
L500T790-3	790	450	530	full length
L500T840-1	840	500	580	upper
L500T840-2	840	500	580	lower
L500T840-3	840	500	580	full length

* there is no screw-on bracket available.

Technical Data (per set)

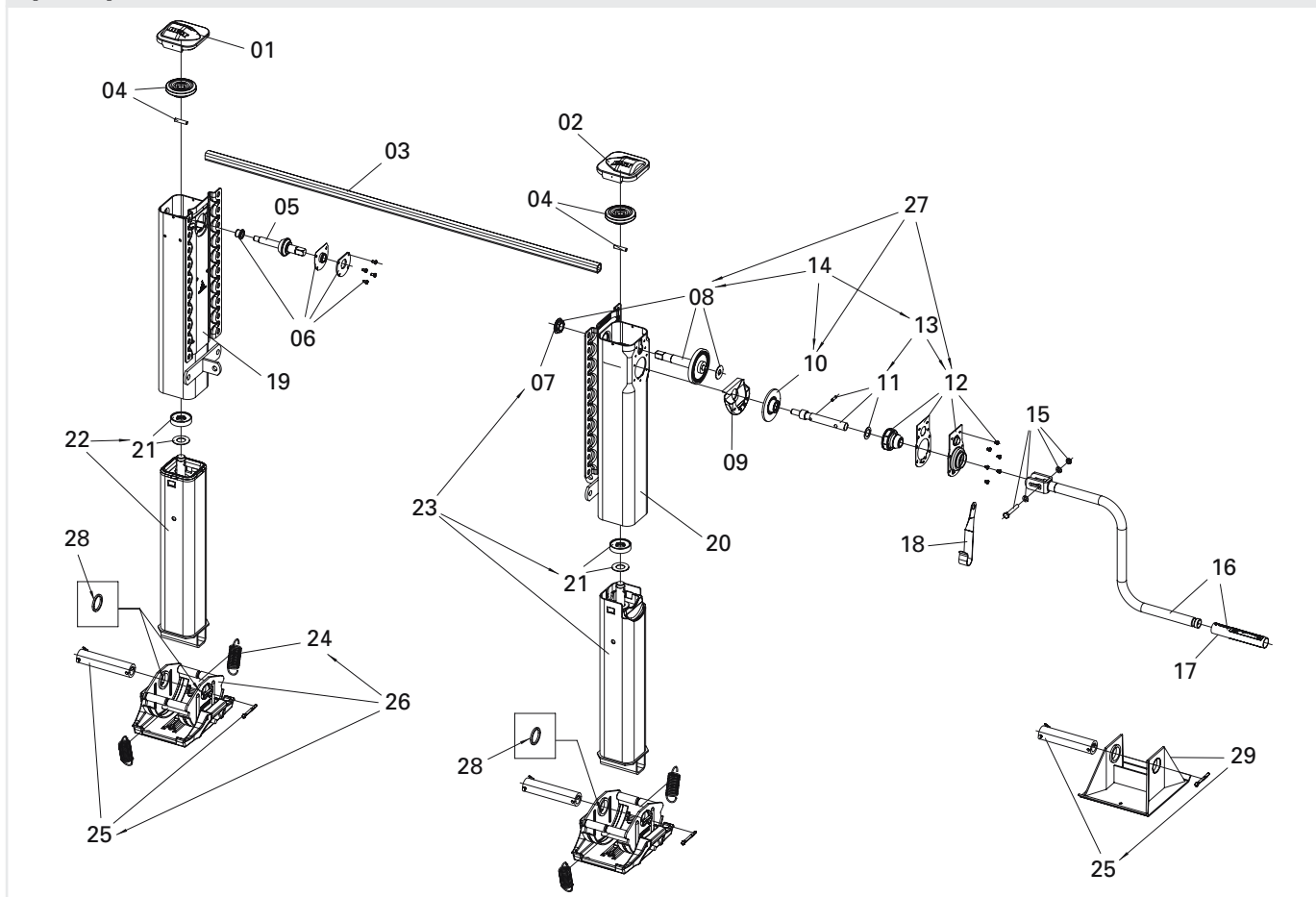
Characteristic	Value
Lifting capacity	24 t
Static load	50 t
Lift per turn of handle	
- Low gear	0,9 mm
- High gear	15,0 mm
Crank force at 16 t super imposed load	210 N

Remarks:

Please order cranks and connection shafts separately (same as in the Ordering System Module); see page 111.

L500

Spare parts



Item	Description	Remark	Order No.	per Kit
01	Cover, left with bolts		JS E0046100	1
02	Cover with bolts		JS E0046300	1
03	See individual components			1
04	Bevel gear with bolts		JS E0058600	2
05	Shaft		JS E0001500	1
06	Bearing	compl.	JS E0046200	1
07	Shaft		JS E0001800	1
08	Shaft with bearing		JS E0058700	1
09	Grease tank		JS E0002000	1
10	Gear		JS E0055800	1
11	Crank shaft	compl.	JS E0046500	1
12	Bearing holder	compl.	JS E0058800	1
13	Crankshaft and bearing holder	compl. with 11 + 12	JS E0056600	1
14	Drive	compl. with 08, 10 + 13	JS E0083700	1
15	Bolts, washers, nuts		JS E0043100	1
16	See individual components			1
17	Crank bushing		JS E0042700	1
18	Crank parking hook	for crank 350 mm (JS U01)	JS E0040200	1
18	Crank parking hook	for crank 415-480 mm (JS U02-JS U04)	JS E0040201	1
18	Crank parking hook	for crank 520 mm (JS U05)	JS E0040202	1
19	*Mh-02/850 shaft left	Plate A, top	JS E0080302	1
19	*Mh-03/800 shaft left	Plate A, top	JS E0080301	1
19	*Mh-04/750 shaft left	Plate A, top	JS E0080304	1
19	*Mh-05/700 shaft left	Plate A, top	JS E0080305	1
19	*Mh-02/850 shaft left + Brace lug	Plate A, bottom	JS E0080502	1
19	*Mh-03/800 shaft left + Brace lug	Plate A, bottom	JS E0080506	1
19	*Mh-03/800 shaft left	Plate A, bottom	JS E0080501	1
19	*Mh-04/750 shaft left	Plate A, bottom	JS E0080504	1
19	*Mh-05/700 shaft left	Plate A, bottom	JS E0080505	1
19	*Mh-02/850 shaft left	Double plate	JS E0087702	1
19	*Mh-03/800 shaft left	Double plate	JS E0087701	1
19	*Mh-04/750 shaft left	Double plate	JS E0087704	1
19	*Mh-05/700 shaft left	Double plate	JS E0087705	1
20	*Mh-02/850 shaft right	Plate A, top	JS E0079802	1
20	*Mh-03/800 shaft right	Plate A, top	JS E0079801	1
20	*Mh-04/750 shaft right	Plate A, top	JS E0079804	1
20	*Mh-05/700 shaft right	Plate A, top	JS E0079805	1
20	*Mh-02/850 shaft right + Brace lug	Plate A, bottom	JS E0080002	1



Landing gear

Item	Description	Remark	Order No.	per Kit
20	*Mh-03/800 shaft right + Brace lug	Plate A, bottom	JS E0080006	1
20	*Mh-03/800 shaft right	Plate A, bottom	JS E0080001	1
20	*Mh-04/750 shaft right	Plate A, bottom	JS E0080004	1
20	*Mh-05/700 shaft right	Plate A, bottom	JS E0080005	1
20	*Mh-02/850 shaft right	Double plate	JS E0087802	1
20	*Mh-03/800 shaft right	Double plate	JS E0087801	1
20	*Mh-04/750 shaft right	Double plate	JS E0087804	1
20	*Mh-05/700 shaft right	Double plate	JS E0087805	1
21	Axial bearing with washer		JS E0066401	2
22	*Mh-02/850 inner tube l. + spindle	with 21	JS E0080202	1
22	*Mh-02/850 inner tube l. + spindle	with 21	JS E0080201	1
22	*Mh-04/750 inner tube l. + spindle	with 21	JS E0080204	1
22	*Mh-05/700 inner tube l. + spindle	with 21	JS E0080205	1
23	*Mh-02/850 inner tube r. + spindle	with 21 + 07	JS E0079702	1
23	*Mh-03/800 inner tube r. + spindle	with 21 + 07	JS E0079701	1
23	*Mh-04/750 inner tube r. + spindle	with 21 + 07	JS E0079704	1
23	*Mh-05/700 inner tube r. + spindle	with 21 + 07	JS E0079705	1
24	Spring		JS E0012900	4
25	Shaft		JS E0091700	2
26	S foot	compl. with 24 + 25	JS E0084750	2
27	Drive repair kit		JS E0059200	1
28	Spacer bushing	only for S-Foot with loose bushes	JS E0087622	4
29	T foot	compl. with 25	JS E0095500	2

* with the T foot, the mounting height is reduced by 10mm!

Individual components, accessories and repair kits

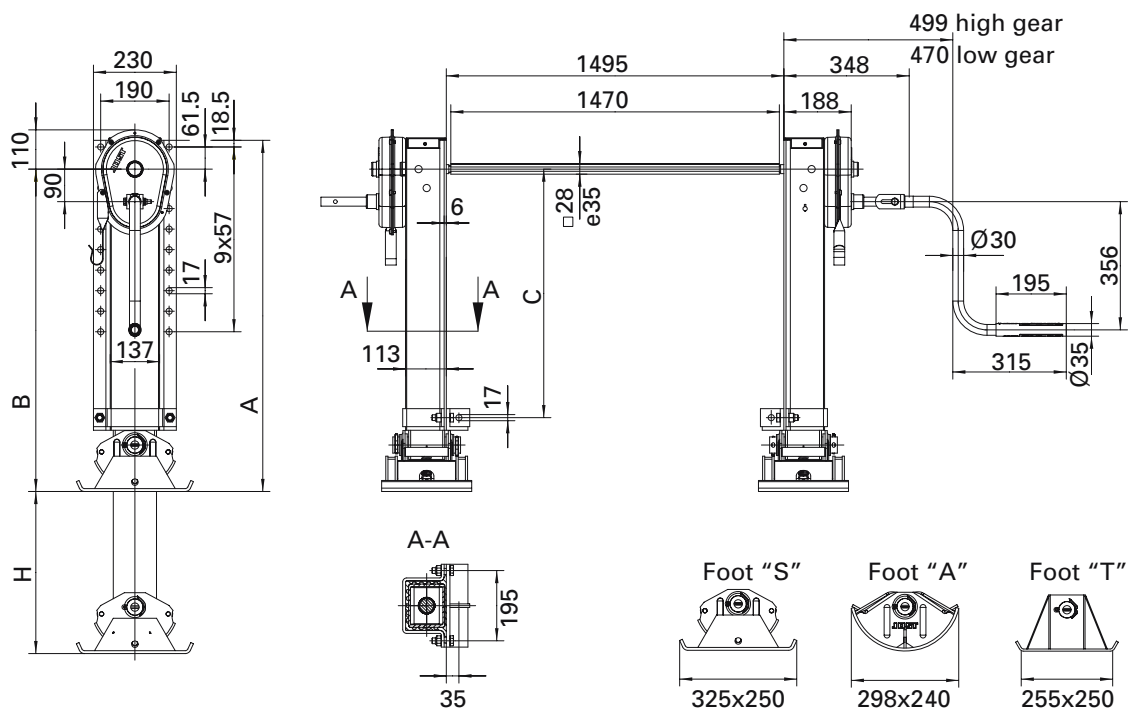
Item	Description	Remark	Order No.	per Kit	Item	Description	Remark	Order No.	per Kit
03	Connection shaft 1340 mm		JS L01	1	16	Crank 350 mm w. parking hook	with 15, 17 + 18	JS U01	1
03	Connection shaft 1450 mm		JS L02	1	16	Crank 415 mm w. parking hook	with 15, 17 + 18	JS U02	1
03	Connection shaft 1470 mm		JS L03	1	16	Crank 450 mm w. parking hook	with 15, 17 + 18	JS U03	1
03	Connection shaft 1500 mm		JS L04	1	16	Crank 480 mm w. parking hook	with 15, 17 + 18	JS U04	1
03	Connection shaft 1505 mm		JS L05	1	16	Crank 520 mm w. parking hook	with 15, 17 + 18	JS U05	1
03	Connection shaft 1575 mm		JS L06	1					
03	Connection shaft 1605 mm		JS L07	1					
03	Connection shaft 1635 mm		JS L08	1					
03	Connection shaft 1700 mm		JS L09	1					
03	Connection shaft 1790 mm		JS L10	1					

Landing gear E 100 / 140

Advantages at a glance

- The E 100 range of telescopic landing gear consists of special lightweight, aluminium legs.
- One and two side operation

Technical Specification



Series E 1... is not suitable for heavy duty use, for example in the case of tipper trucks or for Ro-Ro transport.

The aluminium landing gear is delivered untreated (natural aluminium finish).

Selection table / Versions available

one-side

Order No.	A (mm)	B (mm)	C (mm)	H (mm)	Drive	Foot	Weight (kg)
E 100 R	960	880	600	450	vertical	R	81.0
E 100 T	960	880	690	450	vertical	T	61.0
E 100 A	970	890	690	450	vertical	A	64.1
E 100 S	975	895	690	450	vertical	S	68.0

Accessories

Mounting kit JS 2118-0004

The JS 2118-0003 anti-corrosion insert is necessary to protect against corrosion at the joints between the landing gear and the chassis parts (back plate and bracing angle).



two-side

Order No.	A (mm)	B (mm)	C (mm)	H (mm)	Drive	Foot	Weight (kg)
E 140 R	960	880	600	450	vertical	R	88.0
E 140 T	960	880	690	450	vertical	T	68.0
E 140 A	970	890	690	450	vertical	A	71.1
E 140 S	975	895	690	450	vertical	S	75.0

General technical specification

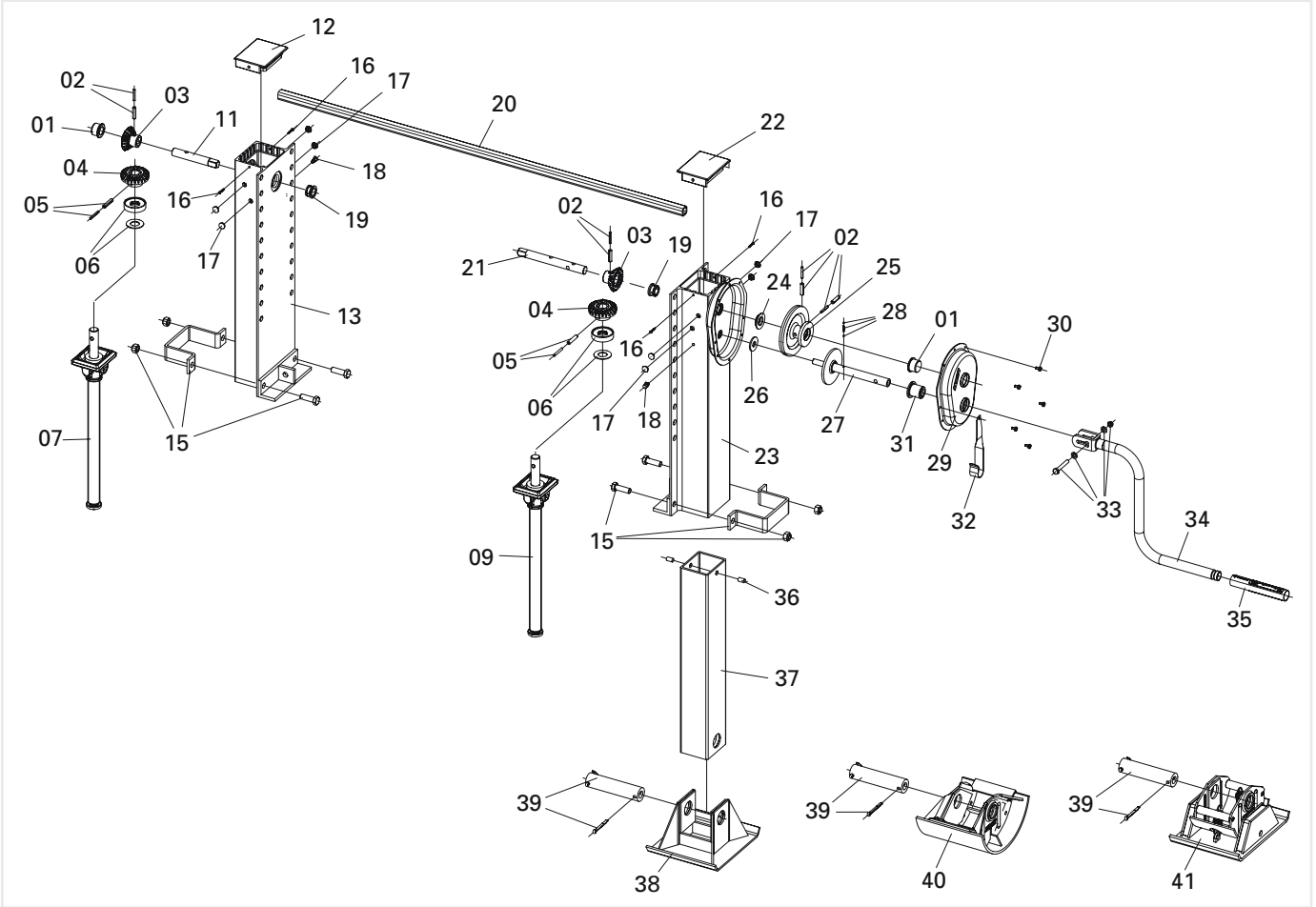
Gear	Lift by one turn of the crank (mm)	
Low gear	1,0	
High gear	10,6	
Load	Support leg per side (t)	Landing gear per kit (t)
Lifting capacity	12	24
Static load	25	50

Crank force in low gear:

Lifting capacity (t)	One-side operation (kg)	Two-side operation (kg)
12	17	9
16	23	12
20	29	15
24	35	18
30	-	23

E 100

Spare parts



Item	Description	Remark	Order No.	per Kit	Item	Description	Remark	Order No.	per Kit
01	Bearing		JS 1101-0008	2	24	Bearing		JS 1101-0007	1
02	Clamping sleeves		JS 1118-0008	4	25	Large gear set	with 02	JS 1118-0005	1
03	Small bevel gear	with 02	JS 1118-0015	2	26	Spacer washer		JS 1401-0003	1
04	Large bevel gear	with 05	JS 2118-0005	2	27	Crank drive	with 28	JS 4118-0006	1
05	Clamping sleeves		JS 1118-0009	2	28	Pressure spring with balls		JS 1118-0004	1
06	Thrust bearing		JS 1101-0160	2	29	Front housing side		JS 2111-0046	1
07	Spindle left	compl.* with 06	JS 2114-0011	1	30	Spiral bolt		JS 1120-0073	5
09	Spindle right	compl.* with 06	JS 2114-0010	1	31	Bush		JS 1101-0010	1
11	Drive shaft		JS 2114-0012	1	32	Crank parking hook		JS 1101-0017	1
12	Cover with sealing ring		JS 2101-0016	1	33	Bolts, washers, nuts		JS 0043100	1
13	Shaft left*	with 15	JS 2111-0075	1	34	Crank handle	with 35	JS 1118-0003	1
15	Top section with bolts, nuts		JS 2118-0006	2	35	Crank bushing		JS 1113-0174	1
16	Bolt		JS 1120-0075	4	36	Cylindrical pin		JS 1120-0007	4
17	Plug		JS 1101-0012	8	37	Support leg*	for A and S foot	JS 2112-0001	2
18	Taper grease nipple		JS 1120-0006	2	37	Support leg*	for S foot	JS 2112-0016	2
19	Collar		JS 1101-0002	2	38	T foot	with 39	JS 2116-0001	2
20	Connection shaft		JS 1110-0001	1	39	Shaft for rocking foot	compl.	JS 2118-0001	2
21	Drive shaft		JS 2114-0007	1	40	Rocking foot		JS 2116-0019	2
22	Cover with sealing ring		JS 2101-0017	1	41	S foot	with 39	JS 2116-0038	2
23	Shaft right*	with 15	JS 2111-0076	1					

* Important! When placing an order for these spare parts please also state the mounting height of the landing gear.

Mounting groups

Order No.	Description
JS 2118-0003	Anti-corrosion insert

General information

Order information

The order numbers for the Modul landing gear are obtained by the combination of the order numbers. All the versions are clearly defined by the specified order numbers.

Please see the relevant table for the order references of Modul C telescopic landing gear.

Storage, transport, handling

If you do not intend to unpack and fit the landing gear immediately on delivery, please store it in a dry place. Landing gear is transported on Euro pallets.

Further documentation

You can find further technical details and information (e.g. mounting and operating instructions) at www.jost-world.com.

Terms of guarantee

Guarantee

JOST guarantees perfect dimensional and material conditions, as well as the correct function of the landing gear for a period of three years or 300,000 km, whichever occurs first.

Claims under guarantee

The following are requirements for making claims under guarantee:

- Compliance with the information given in the technical data sheets issued by JOST, proof of correct storage conditions and compliance with our mounting, operating and maintenance instructions.
- Immediate notification of your claim and, where necessary, the return of the faulty products to JOST.
- The immediate and full completion of the technical questionnaire supplied by JOST.
- Giving JOST the opportunity to investigate the problem and/or carry out tests on site, as well as measures to reduce damage according to the estimation of JOST.

Exceptions to the guarantee

- The company ordering products from JOST is responsible for deciding on their suitability for the intended application.
- Superficial damage caused, for example, by flying stones or in the foot area when parking the trailer, damage caused by prohibited operating conditions, as well as modified landing gear.
- Claims under the guarantee are restricted to repair or replacement. Claims for consequential damage are excluded.
- The period of guarantee commences with the transfer of risk.
- The General Terms of Business of JOST also apply.



JO ST

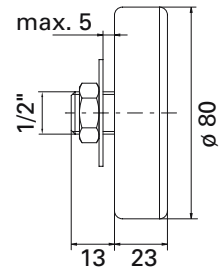


8 Hubodometers and axle caps

Hubodometers are milometers working independently of the tractor unit to determine the mileage of all types of wheeled vehicles, such as trailers, semi-trailers, low-loaders, rolling stock, etc.

Compliance with "TÜV" Safety Regulations and "StVZO" Motor Vehicle Safety Standards is required in Germany.

Design/features



Special features of the hubodometer

- Hermetically sealed meter
 - Maintenance-free
 - No build-up of condensation
 - Tamper-proof
 - All parts made of stainless steel
- Records distances
 - Even in reverse gear
 - Choice of kilometres or miles
 - Six-digit display

Characteristics of the hubodometer

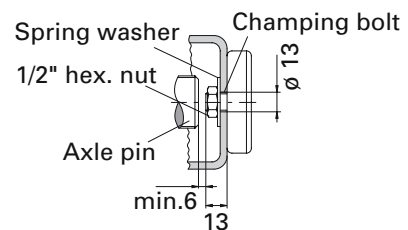
- Weighs just 0.28 kg
- Mounts
 - Directly onto the axle cap
 - Shockproof in a special axle cap
 - Extra slim mounting depth
- Application
 - Available for almost every tyre size

Versions

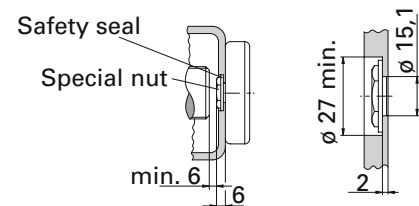
J . . . / JK . . .

Two versions of the hubodometer are available for mounting on existing axle caps. The short version with a shortened clamping bolt is designed for situations where space is limited.

Standard version (J . . .)



Short version (JK . . .)



For the shockproof mounting of the hubodometer using special axle caps.

Order number for hubodometers

Please state the following when ordering a hubodometer:

- Rolling circumference according to table below
- Meter for kilometres or miles
- Design: normal, short or Daimler axle cap with integral hubodometer

The order number for hubodometers is made up of the rolling circumference (see table) with the prefix J for the standard version, JK for the short version and JM1 + JD1 for Daimler axle caps.

Example of an order number for tyre size 385.65 – 22.5:

J 3240-3260 = Standard hubodometer
 JK 3240-3260 = Short design
 JM1 3240-3260 = Daimler axle cap with integrated Hubodometer
 JD1 3240-3260 = Daimler axle cap with integrated Hubodometer

Circumference (mm)	Tire size
1605	6.00-9
	155.70-12
1935-1985	175.00-14
	185.00-14
2015-2055	7.00-12
	185.00-15
	195.00-14
2170	205.70-15
	205.65-17,5
	6.00-16
2225	7.00-15
	205.00-16
	215.75-16
	205.80-15
2310	225.75-16
	7.50-15
	205.75-17,5
2350	215.75-17,5
	7.00-16
2425	245.70-17,5
	225.75-17,5
	8.00-17,5
2464-2520	7.50-16
	235.75-17,5
	265.70-17,5
	245.75-17,5
	8.50-17,5
2560	8.25-15
	9.50-17,5
	245.70-19,5
2620-2650	8.25-16
	10.00-17,5
	265.70-19,5
2712-2750	10.00-15
	9.00-16
	285.70-19,5
2790	275.80-18
	9.50-19,5
	305.70-19,5
	295.60-22,5
	445.45-19,5
	385.55-19,5

Circumference (mm)	Tire size
2830-2860	7.50-20
	255.70-22,5
	285.60-22,5
	455.40-22,5
	305.60-22,5
	315.60-22,5
	435.50-19,5
2915	275.70-22,5
2960	8.25-20
	425.55-19,5
3015-3134	9.00-20
	10.00-22,5
	315.70-22,5
	275.80-22,5
	335.80-20
	385.65-19,5
	495.45-22,5
	385.55-22,5
	305.70-22,5
	9.00-22,5
	435.50-22,5
3175-3220	10.00-20
	11.00-22,5
	295.80-22,5
	315.75-22,5
	375.70-20
	405.70-20
3240-3260	385.65-22,5
3280-3310	11.00-20
	365.80-20
	12.00-22,5
	315.80-22,5
	365.70-22,5
	305.75-24,5
3410-3470	12.00-20
	13.00-22,5
	425.65-22,5
	3505
3560-3570	12.00-22
	13.00-20
3730	12.00-24
	14.00-20
	445.75-22,5
4090	14.00-24

Other dimensions on request.



Special axle cap with integrated hubodometer for axles manufactured by Daimler

JD1

made of galvanised steel



Included in supply (Order No. JD1)

- Axle cap with hubodometer

The order number is the rolling circumference (see table order number for hubodometers) with the prefix JD1.

JM1

made of steel, black e-coating (KTL)



Included in supply (Order No. JM1)

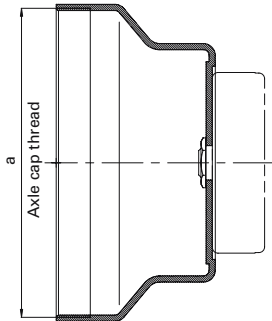
- Axle cap with hubodometer

The order number is the rolling circumference (see table order number for hubodometers) with the prefix JM1.

For axles manufactured by BPW ECO

JHU 200/201/202

Special axle caps with a hole in the centre used to mount the JOST hubodometer JK . . .

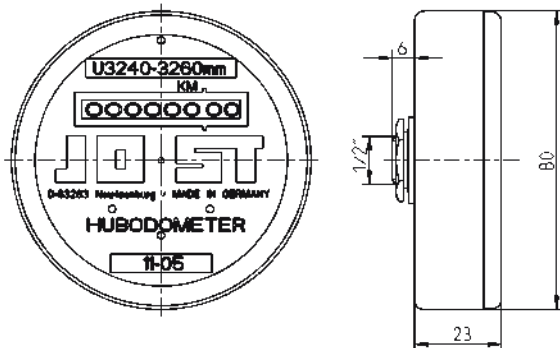


Order No.	Connection for axle cap thread a	Axle load 6,5-9 t	Axle load 10-12 t
JHU 0000200	M136 x 2,5	H...ECO-Plus, HS...ECO-Plus HZ...ECO-Plus, KH...ECO-Plus KHZ...ECO-Plus	H...ECO*, H...ECO-Maxx*, H...ECO-Plus, HS...ECO-Plus, HZ...ECO-Plus, KH...ECO*, KH...ECO-Maxx*, KH...ECO-Plus, NH...ECO*, NH...ECO-Maxx*, NZ...ECO-Maxx*
JHU 0000201	M135 x 2		H...ECO*, H...ECO-Maxx*, HS...ECO, HZ...ECO, KH...ECO*, KH...ECO-Maxx*, KHZ...ECO, NH...ECO*, NH...ECO-Maxx*, NZ...ECO, NRZ...ECO, NHZ...ECO
JHU 0000202	M125 x 2	H...ECO, H...ECO-Maxx, HS...ECO, HS...ECO-Maxx, HZ...ECO, HZ...ECO-Maxx, KH...ECO, KH...ECO-Maxx, KHS...ECO, KHZ...ECO, NH...ECO, NH...ECO-Maxx, NZ...ECO, NHZ...ECO, NRZ...ECO	
JHU 0001000	Bayonet cap	ECO-Plus 2	

* modified axle cap thread as of 09/00 (M135 x 2 in M136 x 2.5).
Observe thread size engraved in the original axle cap.

JK

JOST hubodometer



Order No.	Rolling circumference (mm)
JK 1605	U 1605
JK 1715	U 1715
JK 1810	U 1810
JK 2170	U 2170
JK 2350	U 2350
JK 2425	U 2425
JK 2464-2520	U 2464-2520
JK 2560	U 2560
JK 2790	U 2790
JK 2830-2860	U 2830-2860
JK 2915	U 2915
JK 3015-3134	U 3015-3134
JK 3175-3220	U 3175-3220
JK 3240-3260	U 3240-3260
JK 3280-3310	U 3280-3310
JK 3410-3470	U 3410-3470
JK 3740	U 3740

JHU

Axle caps with mounted JOST hubodometer



Order No.	Rolling circumference	Connection for axle cap thread a
JHU 0000210	U 2790	M 125 x 2
JHU 0000211	U 3240-3260	M 125 x 2
JHU 0000212	U 3175-3220	M 135 x 2
JHU 0000213	U 3410-3470	M 135 x 2
JHU 0000214	U 2790	M 136 x 2,5
JHU 0000215	U 3015-3134	M 136 x 2,5
JHU 0000216	U 3175-3220	M 136 x 2,5
JHU 0000217	U 3240-3260	M 136 x 2,5
JHU 0000218	U 3280-3310	M 136 x 2,5
JHU 0001001	U 2790	Bayonet cap
JHU 0001002	U 3015-3134	Bayonet cap
JHU 0001003	U 3175-3220	Bayonet cap
JHU 0001004	U 3240-3260	Bayonet cap

Included in supply

- Axle caps with mounted JOST Hubodometer

General information

Order information

Please give the following details for ordering a hubodometer:

- Rolling circumference from the table
- Meter for kilometres or miles
- Standard or short version

JOST can supply special axle caps on request with different dimensions from those in our product catalogue. Please contact our customer service personnel in this respect.

Storage, transport, handling

If you are not going to unpack and mount your hubodometer and axle cap immediately on delivery, please store them in a dry place.

Hubodometers and axle caps are transported in cartons, in crates and on Euro pallets.

Terms of guarantee

Guarantee

The dimensional and material quality of JOST hubodometer and axle caps, and their full functional operation, are guaranteed for a period of two years.

Claims under guarantee

The following are requirements for making claims under the guarantee:

- Compliance with the information given in the technical data sheets issued by JOST, proof of correct storage conditions and compliance with our mounting, operating and maintenance instructions.
- Immediate notification of your claim and, where necessary, the return of the faulty products to JOST.
- Giving JOST the opportunity to investigate the problem and/or carry out tests on site, as well as measures to reduce damage according to the estimation of JOST.

Exceptions to the guarantee

- The company ordering products from JOST is to decide on their suitability for the intended application.
- Claims under the guarantee are limited to repair or replacement. Claims for consequential damage are excluded.
- The period of guarantee commences with the transfer of risk.
- The General Terms of Business of JOST also apply.