

■ Air Springs for Commercial Vehicles

■ 8. Edition

This publication is not subject to any update service.
New versions can be found in INFORM under
www.wabco-auto.com

■ © 2009 WABCO

WABCO

The right of amendment is reserved
Version 008/03.09(en)
815 010 049 3

1 Important notes

Important notes	3
WABCO - World Leader in Air Suspension systems	3
WABCO Air Spring Concept.....	3
Air Suspension - Features and Benefits	3
Maintenance of the air springs, Vehicle Check-List.....	4
Air Spring Installation	4
Important tips to remember when installing a new unit	4

2 Cross Reference List

Acerbi	5
Ackermann-Frühauf.....	5
Airtech	5
Bartoletti	5
Battaglino	5
Bertoja	5
Bova	5
BPW	5
Cardi.....	6
CF Gomma	6
Contitech	6
DAF	7
Dennis-Bus	7
Drögmöller.....	7
Dunlop UK.....	7
EvoBus	7
Firestone	7
Fühauf	8
General Trailer	8
Gigant.....	8
Goodyear.....	8
Granning.....	9
Hendrickson	9
Heuliez	9
Inbus.....	9
Iris Bus (Iveco)	9
Iveco	9
Iveco Fiat.....	9
Kässbohrer-Setra (EvoBus).....	9

Kässbohrer (Kögel).....	10
Lohr	10
Magirus-Deutz	10
MAN.....	10
Menarini.....	10
Mercedes-Benz	10
Meritor (ROR).....	10
Metro Cammel Weymann.....	10
Neoplan	10
Neway.....	11
Omar.....	11
Pegaso (Iveco)	11
Phoenix.....	11
Renault V.I.....	11
Rolfo	11
S.A.E. (Gigant)	11
SAF.....	11
Samro.....	11
Scania.....	11
Schmitz.....	12
Sicca.....	12
Springride	12
Taurus	12
Titan.....	13
Trailer	13
Trouillet.....	13
Trouillet-Piacenza.....	13
Van Hool.....	13
VDL Bus (DAF Bus).....	13
Viberti	13
Volvo.....	13
Weweler.....	13
Zorzi.....	13

3 Vehicle Applications List

Bova	14
BPW	14
DAF	15
Dennis-Bus	15
Drögmöller.....	15
EvoBus	15
Frühauf	16
Gigant.....	16

Hendrickson.....	16
Ikarus.....	16
Inbus.....	16
Iris Bus (Iveco).....	16
Iveco	16
Jonckheere (VDL Bus)	17
Kässbohrer-Setra (EvoBus).....	17
Kässbohrer (Kögel).....	18
Magirus-Deutz	18
MAN.....	18
Menarini.....	22
Mercedes-Benz	22
Meritor (ROR).....	24
Metro Cammel Weymann.....	24
Neoplan	24
Pegaso (Iveco)	26
Renault V.I.....	26
SAF.....	26
Scania.....	27
Van Hool.....	27
Volvo.....	29
Wackenhut.....	30
Weweler.....	30

4 Technical specifications of air springs

896 130 . . . 4.....	31
951 700 . . . 0.....	44
951 809 . . . 0.....	47
951 811 . . . 0.....	47
951 812 . . . 0.....	54
951 813 . . . 0.....	60
951 814 . . . 0.....	62
951 895 . . . 0.....	70
951 899 . . . 0.....	71

5 Causes of failure

Over-Extension	73
Normal Cycle Fatigue	73
Damage from Chemicals	73
Corrosion and impacts from stones	74
Abrasion	74



General Information

Manufacturers can alter the characteristics of their products without prior notice. In spite of the care taken in preparing this document there could be errors.

Do not interchange based on appearance, many products which look identical, have different technical specifications.

We disclaim responsibility in case of any incorrect use. Consult our Engineering Service if required.

For further questions please contact our Technical Service.

Information on cross references and manufacturers is given for comparison purposes only.

WABCO does not accept liability in case of error or change, since the printing of this brochure.

This catalogue is produced by WABCO. All reproduction in whole, or in part is forbidden.

WABCO - World Leader in Air Suspension systems

At WABCO, suspension has always been one of our priorities.

Conventional Air Suspension Valves, Charging Valves and our ECAS system (Electronically Controlled Air Suspension) attest to our presence and leadership in pneumatic vehicle suspension control.

WABCO worked with the biggest vehicle manufacturers (commercial and passenger vehicles), on the ECAS system. This system optimises the pneumatic suspension technology and resolves some problems to which the others systems only give limited solutions.

WABCO has a range of trailer, bus and truck air springs in order to complete the range of vehicle suspension system functions. In this publication you will find applications for trailer, buses and trucks.

The WABCO Air Spring Concept

WABCO air springs for trucks and trailers protect cargo, provide constant level hauling, and deliver long, trouble free service. WABCO air springs give your vehicles a new high in pro-

ductivity and long life. They offer a quiet, cushioned ride. Because there's less vibration, truck, trailer and bus bodies last longer than with steel springs. The driver rides in greater comfort, become less fatigued and stays more alert. In addition cargo gets better protection from shock and vibrations.

Steel springs and even new lightweight composite springs, have one major drawback. They must be designed stiff enough to carry the maximum load or GVW of the vehicle.

When a truck is deadheading or is only partially loaded, steel suspension systems are too stiff to allow the deflection necessary to prevent vibration and shock from being transmitted from the wheels to the frame. That's not the case with WABCO air springs. The key is compensating spring rate.

Air springs allow for a change in spring rate, or stiffness, to accommodate load changes.

A lightly loaded vehicle operates with lower air pressure in the springs, while a fully loaded vehicle operates with a high spring pressure. Changing from low to high pressure is done automatically through special height-sensing valves. That is the reason, why WABCO air springs are found on vehicles as diverse as semi-tractors and trailers and city buses.

For driver comfort, load cushioning, and long life for your trucks, trailers and buses, specify WABCO air springs.

Air Suspension - Features and Benefits

- Reduces cab and body damage
- Reduces axle, transmission and tyre wear
- Reduces downtime
- Extends vehicle life
- Constant driving level
- Spring travel independent from the loading condition of the vehicle
- Reduces driver fatigue by greater driver comfort
- Improves vibration damping in both loaded and unloaded conditions
- Increased load capacities being transported
- Reduces load of the pavement

Maintenance of the air springs, Vehicle Check-List

- Check the air lines and devices of leakage and that they turns freely.
- Check the bellows bearing for damage, correct fastening, deformation, sharp edges.
- Check the shock absorbers for operation and impermeability as well as tightness and bearing.
- Periodically, check nuts and bolts for proper torque. For specific recommendations see manufacturer's manual.
- Check axle suspension, trailing arms and rods for wear.
- Check height control valve to see that it is functioning properly. A properly maintained valve will save unneeded maintenance expense.
- Routine inspection of all of the above according to manufacturer's instructions, will extend the life of your vehicle and reduce your overall maintenance expense.

Air Spring Installation

Before you start installing air springs, make sure you have all the necessary tools and equipment to perform the repair safely.

Familiarize yourself with the suspension on which you are performing the repair by reviewing the manufacturers service guide.

If you are in doubt about something, ask for assistance from a qualified suspension specialist, the suspension manufacturer or the air spring manufacturer; This can save you a lot of time and aggravation later in the job.

Important tips to remember when installing a new unit

- Check levelling valve, linkage and transmission parts for wear and damage and if necessary replace the damaged parts.
- Check that the shock absorber for leakages and take a shock absorber test. A defective shock absorber must be replaced.
- Once the air lines are disconnected, check their entire length for cracks or other damage. Replace worn parts.
- With the air spring removed, other parts of the air suspension become more accessible. Check for wear or damage of the frame hangers, trailing arm bushings, torque rods, the trailing arms and the air spring mounts. When it is necessary, also replace parts.
- Check bearing for air spring bellow for external damage, deformation, sharp edges and correct fastening.
- Before installing the new unit, clean the air spring mounting plates to ensure proper attachment to the suspension.
- Always use new attaching bolts for the installation and observe the tightening torques. Never use old bolts, because these can fall out.
- Check the linkage of the levelling valve to see that it is functioning properly. Under load, the linkage should move from the neutral position up to the intake position. This lets air into the springs, which brings the arm back to the neutral position. This lets air into the springs, which brings the arm back to the neutral position. That opens the exhaust valve, allowing air to escape until the arm returns to the neutral position. Then check the driving level.

Acerbi	WABCO
441901	951 811 772 0
128147123	951 700 002 0

Ackermann-Frühauf	WABCO
2680662000	896 130 126 4

Airtech	WABCO
110002	896 130 105 4
110022	896 130 117 4
110042	896 130 126 4
110062	896 130 146 4
110082	896 130 156 4
110102	896 130 162 4
110122	896 130 106 4
110142	896 130 125 4
110162	896 130 164 4
110182	896 130 165 4
110242	896 130 119 4
110302	896 130 170 4
110342	896 130 168 4
110362	896 130 157 4
110402	896 130 111 4
110422	896 130 120 4
110442	896 130 118 4
110462	896 130 145 4
110502	896 130 158 4
110542	896 130 122 4
110562	896 130 123 4
110582	896 130 166 4
110602	896 130 110 4
110622	896 130 153 4
110662	896 130 159 4
110682	896 130 124 4
110702	896 130 169 4
110742	896 130 155 4
110742	896 130 156 4
110762	896 130 163 4
110842	896 130 161 4
110862	896 130 160 4
110922	896 130 167 4
110942	896 130 154 4
111492	896 130 121 4
120002	951 814 704 0
120182	951 812 710 0
120222	951 814 708 0

Airtech	WABCO
120242	951 811 703 0
120262	951 811 700 0
120262	951 811 702 0
120302	951 811 705 0
120442	951 700 002 0
120462	951 814 701 0
120482	951 811 799 0
120502	951 811 802 0
120542	951 814 700 0
120722	896 130 172 4
120742	951 811 801 0
121102	896 130 171 4
130002	951 814 747 0
130022	951 814 716 0
130102	951 814 705 0
130202	951 811 752 0
130282	951 811 750 0
130302	951 811 710 0
130302	951 811 751 0
130322	951 814 729 0
130342	951 814 782 0
130382	951 812 719 0
130522	951 814 712 0
130642	951 814 756 0
130762	951 812 701 0
130822	951 814 727 0
130962	951 700 006 0
130982	951 895 050 0
131002	951 895 060 0
131022	951 812 712 0
131062	951 812 711 0
131142	951 814 706 0
131182	951 813 714 0
131202	951 813 711 0
131562	951 813 732 0
131662	951 812 703 0
131842	951 812 762 0
131862	951 814 724 0
131962	951 700 004 0
132042	951 812 702 0
132122	951 814 753 0
132162	951 812 706 0
132202	951 814 748 0
132222	951 811 743 0
132702	951 814 728 0
132782	951 811 713 0

Airtech	WABCO
132802	951 811 714 0
132902	951 700 001 0
132922	951 811 781 0
132982	951 700 003 0
133282	951 811 106 0
133302	951 811 111 0
133322	951 811 772 0
133342	951 814 757 0
133362	951 811 763 0
133382	951 812 721 0
133422	951 814 730 0
133782	951 812 749 0
133802	951 811 764 0
133962	951 812 771 0
134262	951 811 773 0
134302	951 700 007 0
134762	951 700 005 0
135582	951 700 008 0
140002	951 809 201 0

Bartoletti	WABCO
916 19 011	951 814 706 0

Battaglino	WABCO
22111400	951 814 721 0
22111401	951 814 706 0

Bertoja	WABCO
45402002	951 814 716 0

Bova	WABCO
B510040	896 130 156 4

BPW	WABCO
02.200.24.10.0	896 130 106 4
02.200.24.20.0	896 130 122 4
02.200.24.20.0	896 130 125 4
02.200.24.40.0	896 130 105 4
02.200.24.60.0	896 130 126 4
05.429.04.07.1	951 814 712 0
05.429.40.01.0	951 814 708 0
05.429.40.01.0	951 814 712 0
05.429.40.01.0	951 814 748 0
05.429.40.03.0	951 811 700 0
05.429.40.03.0	951 811 702 0

BPW	WABCO	CF Gomma	WABCO	CF Gomma	WABCO
05.429.40.03.0	951 811 743 0	1S 270-23 / 97619	896 130 121 4	1TC 360-45 / 206357	951 814 748 0
05.429.40.05.0	951 814 700 0	1S 270-25 C / 97608	896 130 124 4	1TCS 360-45 / 202964	951 814 704 0
05.429.40.10.1	951 811 762 0	1S 280-25 / 203000	896 130 120 4	1VSC 285 30	896 130 171 4
05.429.40.14.1	951 814 712 0	1S 280-28 / 203001	896 130 118 4	1VSC 285 30	896 130 172 4
05.429.40.24.1	951 814 712 0	1S 285-24 / 92574	896 130 105 4	1VSC 300 26	951 700 003 0
05.429.40.28.1	951 811 762 0	1S 300-27 / 203386	896 130 145 4	22B	951 812 425 0
05.429.40.36.1	951 811 762 0	1S 310-28 / 89726	896 130 117 4		
05.429.40.39.1	951 814 712 0	1S 285-22	896 130 168 4	Contitech	WABCO
05.429.40.47.1	951 814 712 0	1S 285-23	896 130 154 4	1421 N	896 130 161 4
05.429.40.50.1	951 814 712 0	1S 285-25	896 130 157 4	1720 N	896 130 160 4
05.429.40.52.1	951 811 702 0	1S 320-23	896 130 164 4	1884 N1	896 130 111 4
05.429.40.52.1	951 811 762 0	1SC 250-28 / 97042	896 130 153 4	4004 N P02	951 811 705 0
05.429.40.61.1	951 814 712 0	1SC 270-28 / 97043	896 130 111 4	4004 N P03	951 811 750 0
05.429.40.64.1	951 811 702 0	1SC 290-30 / 88802	896 130 106 4	4004 N P03 (comp)	951 811 713 0
05.429.40.91.0	951 811 703 0	1SC 300-34	896 130 162 4	4022 N P03	951 811 751 0
05.429.40.91.0	951 811 752 0	1SC 310-16	896 130 169 4	4022 N P03 (comp)	951 811 714 0
05.429.40.91.0	951 811 763 0	1SC 360-30 / US92594	896 130 122 4	4022 N P03 (st)	951 811 710 0
05.429.41.01.0	951 814 701 0	1T 300-37	951 811 750 0	4022 N P05	951 811 781 0
05.429.41.01.0	951 814 724 0	1T 300-37	951 811 751 0	4023 N P03	951 814 729 0
05.429.41.14.1	951 811 763 0	1T 323-40	951 812 771 0	4028 N P02	951 814 782 0
05.429.41.21.1	951 814 712 0	1T 323-40	951 700 002 0	4156 N P06	951 812 719 0
05.429.41.23.1	951 811 763 0	1T 19 E-1 / 87413/1	951 814 716 0	4156 N P09	951 812 706 0
05.429.41.24.1	951 811 702 0	1T 19 E-2 / 204676	951 814 729 0	4157 N P04	951 811 111 0
05.429.41.25.0	951 811 802 0	1T 19 E-2 / 87408	951 814 705 0	4157 N P06	951 811 764 0
05.429.41.27.1	951 811 763 0	1T 19 E-2 / 93762	951 814 706 0	4157 N P08	951 811 773 0
05.429.41.31.1	951 814 724 0	1T 19 E-2 BR / 97764	951 814 727 0	4157 N P09	951 811 106 0
05.429.41.36.1	951 814 712 0	1T 19 E-3 / 201840	951 813 732 0	4157 N P10	951 811 772 0
05.429.41.42.1	951 814 712 0	1T 19 E-93 / 206201	951 814 753 0	4158 N P03	951 812 749 0
05.429.41.53.1	951 811 763 0	1T 300-37 / 203715	951 811 713 0	4159 N P05	951 700 002 0
05.429.41.56.0	951 811 799 0	1T 300-37 / 204677	951 811 710 0	4159 N P06	951 812 701 0
05.429.41.71.1	951 814 781 0	1T 300-37 / 206340	951 811 714 0	4159 N P06	951 812 771 0
05.429.41.77.0	951 811 801 0	1T 300-37 / 206585	951 811 781 0	4159 N P07	951 812 702 0
05.429.42.19.1	951 811 763 0	1T 323-40 / 202302	951 812 702 0	4159 N P09	951 812 721 0
05.429.43.20.0	951 811 743 0	1T 323-40 / 204124	951 812 701 0	4390 N P01	951 895 050 0
05.429.43.21.0	951 811 752 0	1T 323-40 / 200751	951 812 721 0	4390 N P02	951 895 060 0
05.429.43.21.0	951 811 763 0	1T 323-40 / 96871	951 812 703 0	4390 N1	896 130 171 4
05.429.43.41.0	951 814 757 0	1TC 300-30 / 205536	951 811 703 0	4390 N2	896 130 172 4
05.429.43.51.0	951 814 748 0	1TC 300-36 / 204466	951 811 700 0	4713 N P02	951 812 762 0
		1TC 300-36 / 205170	951 811 702 0	4718 N	951 700 004 0
		1TC 300-36	951 811 743 0	4757 N P01	951 700 003 0
Cardi	WABCO	1TC 300-36 / 205170	951 811 762 0	4810 N P05	951 814 730 0
58050700	951 814 706 0	1TC 300-38 / 205598	951 811 106 0	4810 N P06	951 814 716 0
58050900	951 812 703 0	1TC 360-40 / 205537	951 814 701 0	4813 N P06 (alu)	951 814 705 0
58051210	951 812 721 0	1TC 360-45 / 204530	951 814 708 0	4813 N P07	951 814 727 0
		1TC 360-45 / 205800	951 814 712 0	4881 MB	951 814 724 0
				4881 N P02	951 814 701 0

Contitech	WABCO
4911 N P03	951 813 714 0
4912 N P05	951 813 732 0
4912 N P07	951 813 711 0
4913 N P02	951 814 753 0
4940 N P02	951 811 799 0
4941 N P02	951 811 802 0
4960 N P02	951 811 801 0
644 N	896 130 105 4
6605 N P01	951 700 008 0
6607 N P01	951 700 007 0
6608 N P01	951 700 001 0
661 N	896 130 117 4
662 N	896 130 126 4
673 N	896 130 146 4
701 N	896 130 156 4
706 N1	896 130 159 4
713 N	896 130 158 4
715 N	896 130 169 4
720 N	896 130 106 4
725 N P01	951 814 704 0
725 N P02	951 814 747 0
725 N P03	951 814 756 0
727 N	896 130 125 4
737 N	896 130 164 4
746 N	896 130 165 4
756 N	896 130 162 4
757 N	896 130 166 4
762 N	896 130 122 4
768 N	896 130 167 4
769 N	896 130 155 4
782 N	896 130 124 4
810 MB 2st	951 814 706 0
836 M2	951 812 710 0
836 M2 K1	951 812 711 0
836 MK1	951 812 712 0
838 N	896 130 163 4
881 MB	951 814 708 0
881 MB	951 814 748 0
882 N	896 130 153 4
883 N	896 130 123 4
884 N	896 130 110 4
902 MB	951 700 006 0
912 N P01	951 814 728 0
916 N1	896 130 119 4
921 N	896 130 154 4
936 N	896 130 170 4

Contitech	WABCO
940 MB	951 811 703 0
940 MB	951 811 752 0
941 MB	951 811 700 0
941 MB	951 811 743 0
942 MB	951 814 700 0
944 N	896 130 168 4
945 N	896 130 157 4
FD 200-19	951 809 201 0
FD 330-22	951 812 425 0
RZ 415-25	896 130 120 4
RZ 415-28	896 130 118 4
RZ 450-25	896 130 145 4

DAF	WABCO
388165	951 812 712 0
388491	951 814 705 0
0578361	896 130 126 4
0638148	896 130 125 4
0644425	896 130 122 4
0689677	896 130 105 4
696229	896 130 105 4
1697678	951 812 712 0
0 388 167	951 812 711 0
0 513 982	951 812 710 0
0 578 361	896 130 126 4
0 627 584	896 130 146 4
1 384 274	951 814 705 0
1 384 274	951 814 706 0

Dennis-Bus	WABCO
650292/8	896 130 106 4
650292/8	896 130 106 4
650883/4	896 130 106 4
650883/4	896 130 106 4

Drögmöller	WABCO
440320200002-00	896 130 117 4
440320200002-00	896 130 117 4
440320200002-00	896 130 117 4

Dunlop UK	WABCO
PNP 301000100	896 130 106 4
PNP 301000101	896 130 157 4
PNP 301470101	896 130 105 4
PNP 301470101	896 130 155 4

Dunlop UK	WABCO
PNP 302730101	896 130 126 4
PNP 304890101	896 130 169 4
PNP 304980101	896 130 117 4
PNP 306420100	896 130 125 4
PNP 307800100	896 130 122 4
PNP 309070100	896 130 170 4
PNP 311370000	951 812 701 0
PNP 311370000	951 812 771 0
PNP 311770000	951 814 705 0
PNP 311780000	951 814 716 0

EvoBus	WABCO
4.731.012.000	896 130 117 4
4.731.013.000	896 130 122 4
4.731.031.000	896 130 117 4
4.731.042.000	896 130 117 4
4.771.143.000	896 130 105 4
4.771.170.000	896 130 105 4
4.771.427.000	896 130 117 4
A 000.327.01.01	896 130 105 4
A 000.328.00.01	896 130 154 4
A 356.327.00.01	896 130 145 4
A 628.320.02.25	896 130 105 4

Firestone	WABCO
1R1A 370-285 / W01 095 0198	896 130 168 4
1R1A 380-260 / W01 095 0204	896 130 155 4
1R1A 390-295 / 095 0118	896 130 105 4
1R1A 415-260 / W01 095 0226	896 130 154 4
1R1A 415-285 / 095 0197	896 130 124 4
1R1A 460-290 / W01 095 0063	896 130 157 4
1R1B 390 270 / 095 0121	896 130 121 4
1R1B 415 270 / 095 0295	896 130 110 4
1R1C 335-310 / W01 095 0087	896 130 169 4
1R1C 390-310 / 095 0021	896 130 117 4
1R1D355-355 / 095 207	896 130 126 4
1R2A 380-305 / W01 095 0212	896 130 166 4

Firestone	WABCO
1R2A 380-330 / W01 095 0213	896 130 167 4
1R2A 445 280 / 095 0429	896 130 111 4
1R2A 450-305 / W01 095 0145	896 130 162 4
1R2A 460-295 / 095 0195	896 130 106 4
1R2A 480-330 / W01 095 0211	896 130 164 4
1R2D 390-360 / 095 0190	896 130 122 4
1R2D 460-360 / 095 0191	896 130 125 4
1R3M 340-340 / W01 095 0205	896 130 156 4
1R4R 465 260 / 095 0435	896 130 123 4
1R5P 345 290 / 095 0381	896 130 120 4
1R5P 410 290 / 095 0382	896 130 118 4
1T15 AA3 / W01 M58 6251	951 700 005 0
1T15 M-9	951 700 002 0
1T15 M-9 / W01 M58 7548	951 812 771 0
1T15M-6 / 358 9361	951 812 719 0
1T15M-6 / 379 9089	951 812 706 0
1T15M-9 / 379 9131	951 812 721 0
1T15M-9 / M58 6289	951 812 703 0
1T15M-9 / M58 7548	951 812 701 0
1T15M-9 / M58 8859	951 812 702 0
1T15MP-7 / M58 7074	951 811 106 0
1T15MP-9 / M58 6285	951 812 749 0
1T15MPW-7 / 968 6316	951 811 764 0
1T15MPW-7 / M58 6297	951 811 111 0
1T15MPW-7 / M58 6315	951 811 772 0
1T15MPW-7 / M58 6317	951 811 773 0
1T15MT-11	951 812 740 0
1T15MT-9	951 812 739 0
1T17 B-11 / W01 M58 8747	951 813 150 0
1T17 BS-6 / M58 8612	951 811 781 0
1T17 BS-6 / W01 M58 6366	951 811 750 0
1T17 BS-6 / W01 M58 6367	951 811 751 0

Firestone	WABCO
1T17 D-4.3 / W01 M58 8613	951 811 752 0
1T17AR-4.5 / D08 0777	951 812 710 0
1T17AR-4.5 / D08 8722	951 812 712 0
1T17AR-4.5 / M58 8721	951 812 711 0
1T17BS-6 / M58 0919	951 811 705 0
1T17BS-6 / M58 6367	951 811 713 0
1T17BS-6 / M58 6367	951 811 714 0
1T17BS-6 / M58 6367(S)	951 811 710 0
1T17D-4.3 / M58 8609	951 811 763 0
1T17D-4.3 / M58 8613	951 811 703 0
1T17D-8.3 / M58 8619	951 811 762 0
1T17D-8.3 / M58 8620	951 811 700 0
1T17D-8.3 / W01 M58 8619	951 811 743 0
1T19 G-12 / W01 M58 9910	951 700 006 0
1T19F-11 / M58 7358	951 814 727 0
1T19F-14 / 095 0366	951 814 753 0
1T19F-7 / M58 6345	951 814 716 0
1T19L-11 / M58 6348	951 814 729 0
1T19L-11 / M58 6361	951 814 706 0
1T19L-11 / M58 6364	951 814 705 0
1T19L-12 / M58 8016	951 814 782 0
1T19L-14 / M58 8502	951 814 728 0
1T19L-14 / M58 8762	951 813 732 0
1T19L-7 / M58 6338	951 814 730 0
1T66 D-7.0 / W01 M58 8601	951 814 724 0
1T66D-10.8 / M58 8610	951 814 756 0
1T66D-10.8 / M58 8966	951 814 712 0
1T66D-13.5 / M58 8611	951 814 700 0
1T66D-7.0 / M58 8601	951 814 701 0
1T66E-10.8 / M58 7529	951 814 704 0
1T66E-10.8 / M58 8978	951 814 708 0
1T66E-108 / M58 8969	951 814 747 0
22 358 7180	951 812 425 0
22 358 7416	951 812 305 0

Fühauf	WABCO
202302	951 812 702 0
1524873	951 812 702 0
1525199	951 812 721 0
1525267	951 812 706 0
M001472	951 812 706 0
M001782	951 812 702 0
M078246	951 899 001 0
M001464	951 813 732 0
M001774	951 812 721 0
M060770	951 813 732 0
M060924 / UJB0975	951 811 772 0
M078580	951 811 773 0
UJB 0203-001	951 812 702 0
UJB 0207-001	951 812 719 0
UJB 0975	951 811 772 0

General Trailer	WABCO
M063796	951 812 245 0

Gigant	WABCO
166252	951 814 756 0
16 62 17	951 814 704 0
16 62 17	951 814 747 0
19 60 35	896 130 122 4
19 60 43	896 130 125 4
24 61 49	951 814 704 0
24 61 49	951 814 747 0

Goodyear	WABCO
8012	896 130 168 4
8015	896 130 169 4
8017	896 130 105 4
8018	896 130 117 4
8043	896 130 154 4
8053	896 130 155 4
8117	896 130 125 4
9002	896 130 110 4
9003	896 130 111 4
9004	896 130 120 4
9005	896 130 118 4
9006	896 130 156 4
9007	896 130 126 4
9008	896 130 106 4
9009	896 130 121 4
9010	896 130 122 4

Goodyear	WABCO
9012	896 130 123 4
9014	896 130 157 4
9015	896 130 119 4
9050	896 130 145 4
9051	896 130 146 4
9505	951 895 050 0
9506	951 895 060 0
9507	896 130 171 4
9508	896 130 172 4
1R11-106	951 811 106 0
1R11-111	951 811 111 0
1R11-700	951 811 700 0
1R11-702	951 811 702 0
1R11-703	951 811 703 0
1R11-705	951 811 705 0
1R11-710	951 811 710 0
1R11-713	951 811 713 0
1R11-713	951 811 750 0
1R11-714	951 811 714 0
1R11-714	951 811 751 0
1R11-743	951 811 743 0
1R11-752	951 811 752 0
1R11-762	951 811 762 0
1R11-763	951 811 763 0
1R11-764	951 811 764 0
1R11-772	951 811 772 0
1R11-773	951 811 773 0
1R11-781	951 811 781 0
1R11-799	951 811 799 0
1R11-802	951 811 802 0
1R12-701	951 812 701 0
1R12-702	951 812 702 0
1R12-703	951 812 703 0
1R12-710	951 812 710 0
1R12-711	951 812 711 0
1R12-712	951 812 712 0
1R12-719	951 812 719 0
1R12-721	951 812 721 0
1R12-739	951 812 739 0
1R12-740	951 812 740 0
1R12-749	951 812 749 0
1R12-761	951 700 002 0
1R12-762	951 812 762 0
1R12-771	951 812 771 0
1R13-150	951 813 150 0
1R13-714	951 813 714 0

Goodyear	WABCO
1R13-726	951 813 726 0
1R13-732	951 813 732 0
1R14-700	951 814 700 0
1R14-701	951 814 701 0
1R14-704	951 814 704 0
1R14-705	951 814 705 0
1R14-706	951 814 706 0
1R14-708	951 814 708 0
1R14-712	951 814 712 0
1R14-716	951 814 716 0
1R14-721	951 814 721 0
1R14-724	951 814 724 0
1R14-727	951 814 727 0
1R14-728	951 814 728 0
1R14-729	951 814 729 0
1R14-730	951 814 730 0
1R14-747	951 814 747 0
1R14-748	951 814 748 0
1R14-753	951 814 753 0
1R14-756	951 814 756 0
1R14-757	951 814 757 0
1R14-781	951 814 781 0
1R14-782	951 814 782 0
1R14-784	951 814 784 0
1S4-034	951 899 002 0
2B12-2450	951 899 001 0
2B12-2457	951 812 245 0
2B12-305	951 812 305 0
2B12-425	951 812 425 0

Granning	WABCO
1218	951 812 305 0
1371	951 809 201 0
15634	951 814 705 0
15634	951 814 704 0
15635	951 814 716 0

Hendrickson	WABCO
505859	951 814 705 0
506243	951 814 716 0
785168	951 814 716 0
785170	951 814 705 0
505859/01	951 814 705 0
506243/01	951 814 716 0
HS 251087	951 813 150 0

Hendrickson	WABCO
QE 100001	951 812 739 0
QE 100002	951 812 740 0

Heuliez	WABCO
0303	896 130 105 4
0305G	896 130 105 4

Inbus	WABCO
5001098	896 130 146 4

Iris Bus (Iveco)	WABCO
5000786640	896 130 155 4
5000954175	896 130 167 4
5010294385	896 130 110 4

Iveco	WABCO
4714025	896 130 146 4
4716989	896 130 157 4
4716989	896 130 124 4
4746733	896 130 117 4
8188526	896 130 121 4
8188539	896 130 110 4
41822247	896 130 117 4
93197594	896 130 117 4
93197594	896 130 145 4
98478799	896 130 111 4
249.8667 EC5067-04	896 130 117 4
500 301 452	896 130 110 4
536 905 265	896 130 105 4
818 8526	896 130 121 4

Iveco Fiat	WABCO
98478799	896 130 111 4

Kässbohrer-Setra (EvoBus)	WABCO
4.731.012.000	896 130 117 4
4.731.042.000	896 130 117 4
4.771.110.000	896 130 105 4
4.771.170.000	896 130 105 4
4.731.013.000	896 130 122 4

Kässbohrer (Kögel)	WABCO
4.731.012.000	896 130 117 4
4.731.013.000	896 130 125 4
4.731.030.000	951 814 705 0
4.731.033.000	951 814 705 0
4.771.110.000	896 130 105 4
4.771.143.000	896 130 105 4
4.771.170.000	896 130 105 4
4.771.440.000	896 130 117 4
4.771.441.000	896 130 105 4

Lohr	WABCO
A 060 30 622	951 899 001 0

Magirus-Deutz	WABCO
041 822 247	896 130 117 4
0249 1566	896 130 146 4
0249 8667	896 130 117 4
536 905 265	896 130 105 4

MAN	WABCO
81.43601.125	896 130 111 4
81.43601.150	896 130 111 4
81.43601.0033	896 130 106 4
81.43601.0036	896 130 106 4
81.43601.0036	896 130 106 4
81.43601.0037	896 130 106 4
81.43601.0039	896 130 162 4
81.43601.0049	896 130 122 4
81.43601.0052	896 130 122 4
81.43601.0065	896 130 106 4
81.43601.0065	896 130 153 4
81.43601.0066	896 130 110 4
81.43601.0067	896 130 106 4
81.43601.0067	896 130 153 4
81.43601.0070	896 130 153 4
81.43601.0071	896 130 123 4
81.43601.0072	896 130 123 4
81.43601.0092	896 130 153 4
81.43601.0100	896 130 153 4
81.43601.0103	896 130 153 4
81.43601.0121	896 130 153 4
81.43601.0126	896 130 119 4
81.43601.0127	896 130 159 4
81.43601.0132	896 130 153 4
81.43601.0150	896 130 111 4

MAN	WABCO
90.83112.0144	896 130 117 4
22 320 FNL/LG.	896 130 106 4
81.43601.00104/109/ 111/120	896 130 111 4
81.43601.00114/116/ 118	896 130 125 4
81.43601.0018/51	896 130 126 4
81.43601.0033/36/37	896 130 106 4
81.43601.0056/57/58/ 76	896 130 125 4
81.43601.0056/57/58/ 76/79/82/84/91/114/ 116/118	896 130 125 4
81.43601.0057/58	896 130 125 4
81.43601.0066/68/69/ 104/109/111	896 130 110 4
81.43601.0066/68/69/ 106/108	896 130 110 4
81.43601.0071/72/ 110/128	896 130 123 4
81.43601.0079/82/84/ 91	896 130 125 4
81.43601.0095/97/ 102/105	896 130 119 4
81.43601.0095/97/ 102/105/126	896 130 119 4
81.43601.056/57/58/ 76/..	896 130 125 4
90 83112 0114	896 130 117 4

Menarini	WABCO
178741	896 130 124 4

Mercedes-Benz	WABCO
000.327.0101	896 130 105 4
307.327.0001	896 130 105 4
307.328.0001	896 130 105 4
360.328.0101	896 130 106 4
364.327.7001	896 130 105 4
387.328.0001	896 130 106 4
393.328.0101	896 130 106 4
946.328.0401	951 813 150 0
A 000.327.0101	896 130 105 4
A 000.327.0101	896 130 105 4
A 318.328.0001	896 130 165 4
A 356.327.0001	896 130 145 4
A 363.328.0201	896 130 163 4
A 363.328.0201	896 130 166 4
A 393.328.0101	896 130 164 4

Mercedes-Benz	WABCO
A 655.327.0001	896 130 160 4
A 658.328.0001	896 130 110 4
A 699.328.0101	896 130 153 4
A 942.320.0117	951 700 003 0
A 942.320.0121	951 895 050 0
A 942.320.0121	951 895 050 0
A 942.320.0221	951 895 060 0
A 942.320.0221	951 895 060 0
A 942.328.0001	896 130 171 4
A 942.328.0101	896 130 172 4
A 946.328.1401	951 811 111 0

Meritor (ROR)	WABCO
12108082	951 814 716 0
21208082	951 814 716 0
21215632	951 814 716 0
21215633	951 814 705 0
21215761	951 812 719 0
21215762	951 812 719 0
21216135	951 812 719 0
21221307	951 811 111 0
21222442	951 811 106 0
21215761	951 812 706 0
21221349	951 814 728 0

Metro Cammel Weymann	WABCO
X6641056	896 130 106 4

Neoplan	WABCO
1001 10 100	896 130 117 4
1001 10 200	896 130 126 4
1001 12 250	896 130 105 4
1001 12 251	896 130 126 4
1001 12 254	896 130 105 4
1001 12 300	896 130 106 4
1001 10 300	896 130 105 4
1001 10 300	896 130 105 4
1021 00 200	896 130 117 4
1021 00 300	896 130 122 4
AA10-01-001	896 130 117 4
AA10-01-001	896 130 126 4
AA10-01-002	896 130 126 4

Neway	WABCO
22282	951 814 705 0
211586	951 814 716 0
905.57.233	951 811 773 0
905.57.075	951 812 719 0

Omar	WABCO
11804	951 814 706 0
11808	951 812 703 0

Pegaso (Iveco)	WABCO
500301452	896 130 110 4

Phoenix	WABCO
1E21	896 130 105 4
1E23	896 130 145 4
1E25	896 130 117 4
1E32	896 130 126 4
1 DK 21 B4	951 812 771 0
1 DK 21K	951 811 752 0
1 DK 32 K	951 814 724 0
1 DK21	951 811 743 0
1 E 18	896 130 154 4
1 E 18	896 130 155 4
1 E 21-C	896 130 157 4
1 E 26-1	896 130 156 4
1 F 25	896 130 169 4
1 F 26	896 130 164 4
1 F 26 B-1	896 130 162 4
1 F 26 C	896 130 166 4
1 F 26 D	896 130 163 4
1D28A-12	951 814 730 0
1D28A-2 E1	951 814 716 0
1D28B-2 E2	951 814 705 0
1D28B-9	951 814 727 0
1D28F-1	951 814 782 0
1D28H-16	951 814 753 0
1DF25-11	951 812 712 0
1DF25-13	951 812 711 0
1DF25-3	951 812 710 0
1DK 20B-1	951 812 749 0
1DK 21 A-31	951 811 106 0
1DK 21 A-4	951 811 111 0
1DK 22 E-5	951 811 750 0
1DK 32	951 814 708 0
1DK 32-1	951 814 700 0

Phoenix	WABCO
1DK20A-1	951 811 764 0
1DK20A-51	951 811 772 0
1DK20C-2	951 811 773 0
1DK21	951 811 700 0
1DK21A-2	951 812 719 0
1DK21B-4	951 812 701 0
1DK21B-6	951 812 702 0
1DK21B-8	951 812 721 0
1DK21K	951 811 703 0
1DK22E-8	951 811 713 0
1DK22E-9	951 811 710 0
1DK22E-9	951 811 714 0
1DK28-B-7	951 814 706 0
1DK32K	951 814 701 0
1F16-2	896 130 153 4
1F20a	896 130 110 4
1F20b	896 130 111 4
1F21	896 130 106 4
1F21-2	896 130 123 4
1F21A	896 130 146 4
1F21C-5	896 130 119 4
1F32	896 130 122 4
1F32A	896 130 125 4
2G20	896 130 120 4
2G20A	896 130 118 4
SP2B22	951 812 425 0

Renault V.I.	WABCO
5.000.819.370	896 130 170 4
5.000.819.517	896 130 169 4
5.001.829.866	896 130 117 4
5.010.073.846	896 130 117 4
5.010.211.724	951 700 006 0
5.000.452.939	951 814 716 0
5.000.787.632	896 130 124 4
5.000.790.692	951 814 705 0
5.000.869.179	896 130 124 4
5.000.954.176	896 130 124 4
5.000.954.176	896 130 124 4
5.001.829.866	896 130 117 4
5.010.294.385	896 130 110 4
5.010.294.307 .C	951 813 711 0
5.010.294.308 .C	951 813 714 0

Rolfo	WABCO
11808	951 812 703 0
112060	951 814 706 0

S.A.E. (Gigant)	WABCO
8403/102	951 814 705 0

SAF	WABCO
2.228.0002.00	951 814 716 0
2.229.0003.00	951 814 705 0
2.229.0007.00	951 811 750 0
2.229.1001.00	951 812 425 0
3.228.0003.00	951 814 705 0
3.229.0007.01	951 811 713 0
3.229.0007.01	951 811 750 0
3.229.0007.02	951 811 705 0
3.229.0007.02	951 811 713 0
3.229.0007.02	951 811 750 0
3.229.0027.00	951 814 730 0
3.229.0029.00	951 811 710 0
3.229.0029.00	951 811 714 0
3.229.0029.00	951 811 751 0
3.229.0030.00	951 814 728 0
3.229.0031.00	951 814 729 0
3.229.0033.00	951 811 781 0
4.284.3003.01	951 811 705 0

Samro	WABCO
25004	951 814 705 0
25008	951 814 716 0
25324	951 812 721 0
2500425	951 812 771 0
2500425	951 812 701 0
2500915	951 813 150 0
2509999	951 814 716 0

Scania	WABCO
255293	951 814 727 0
255295	951 814 727 0
298568	951 814 727 0
325748	951 814 727 0
1107674	951 814 727 0
1314906	951 814 727 0
1379392	951 814 753 0
1440294	951 814 753 0

Scania	WABCO
1543691	951 814 753 0
1314903 / 255295 / 1402423	951 700 005 0

Schmitz	WABCO
016512	951 811 764 0
750208	896 130 117 4
750209	896 130 126 4
750212	896 130 125 4
751065	951 811 106 0
751065	951 811 764 0
015 323	951 814 782 0
750 999	951 812 749 0
US04031	951 814 784 0

Sicca	WABCO
4840 005	896 130 168 4

Springride	WABCO
D11B37	951 811 764 0
D11B38	951 811 702 0
D11B38	951 811 762 0
D11B39	951 811 763 0
D11B41	951 811 781 0
D11S01	896 130 105 4
D11S02	896 130 124 4
D11S04	896 130 121 4
D11S06	896 130 146 4
D11U30	951 811 700 0
D11U31	951 811 703 0
D11U42	951 811 799 0
D11U44	951 811 801 0
D11U45	951 811 802 0
D12B01	951 812 701 0
D12B04	951 812 721 0
D12B07	951 812 703 0
D12B13	951 811 713 0
D12B14	951 811 714 0
D12B15	951 812 702 0
D12B16	951 812 706 0
D12B17	951 811 106 0
D12B18	951 811 111 0
D12B19	951 812 719 0
D12B22	951 812 749 0
D12B24	951 812 762 0
D12B26	951 811 710 0

Springride	WABCO
D12B29	951 811 772 0
D12B30	951 811 773 0
D12S02Re	896 130 117 4
D12S04	896 130 106 4
D12S05	896 130 119 4
D12S06	896 130 110 4
D12S07	896 130 111 4
D12S08	896 130 120 4
D12S09	896 130 118 4
D12S12	896 130 153 4
D12S13	896 130 145 4
D12T10	951 895 050 0
D12T11	951 895 060 0
D12U13	951 811 705 0
D13B01	951 814 716 0
D13B02	951 814 705 0
D13B04	951 813 732 0
D13B10	951 814 727 0
D13B12	951 814 706 0
D13B25	951 814 730 0
D13B26	951 814 729 0
D13B31	951 812 711 0
D13B32	951 812 712 0
D13B46	951 813 714 0
D13S01	896 130 126 4
D13S02	896 130 122 4
D13S03	896 130 123 4
D13S04	896 130 125 4
D13U31	951 812 710 0
D14B36	951 814 712 0
D14B37	951 814 724 0
D14B40	951 814 747 0
D14B41	951 814 748 0
D14B42	951 814 753 0
D14B43	951 814 756 0
D14B44	951 814 757 0
D14B47	951 814 782 0
D14B52	951 814 728 0
D14U36	951 814 708 0
D14U37	951 814 701 0
D14U38	951 814 704 0
S09201	951 809 201 0
SP2782 NB	951 899 001 0

Taurus	WABCO
B 113	896 130 121 4
B 114	896 130 117 4
B 116-1	896 130 156 4
B 121	896 130 105 4
B 124	896 130 124 4
B 125	896 130 167 4
B 126	896 130 166 4
B 127	896 130 164 4
B 141	896 130 146 4
B 143	896 130 122 4
B 144	896 130 169 4
B 149	896 130 125 4
B 152	896 130 106 4
B 154	896 130 119 4
B 155	896 130 153 4
B 156	896 130 155 4
B 158	896 130 154 4
B 197	896 130 162 4
B 271	896 130 120 4
B 272	896 130 118 4
BL 128	896 130 145 4
BL 143	896 130 126 4
BL 249	896 130 110 4
K 152	896 130 157 4
K 505-27 SM	951 811 750 0
K 622-23	951 814 706 0
KF 222-7180	951 812 425 0
KR 506-28	951 812 719 0
KR 509-22	951 812 701 0
KR 509-22	951 812 771 0
KR 509-25	951 812 702 0
KR 621-18	951 814 730 0
KR 621-26	951 814 716 0
KR 622-01	951 814 727 0
KR 622-18	951 814 729 0
KR 622-26	951 814 705 0
KR 721-03	951 812 711 0
KR 721-06	951 812 712 0
KR 725-28	951 811 710 0
KR 725-28	951 811 714 0
KR 725-28	951 811 751 0
KR 732-01	951 811 752 0
KR 836-01 / 03 / 04	951 814 712 0
KR 913-57	951 811 106 0
KR 915-51	951 811 772 0
KR 915-54	951 811 111 0

Taurus	WABCO
UR 721-03T	951 812 710 0
UR 725-27T	951 811 705 0
UR 730-01T	951 811 700 0
UR 732-01T	951 811 703 0
UR 836-01T	951 814 708 0
UR 836-11	951 814 704 0
UR 837-01	951 814 700 0
UR 838-01T	951 814 701 0

Titan	WABCO
91687700000	951 814 705 0

Trailor	WABCO
65023482	951 814 705 0
0036158E	951 814 705 0
65022347Y	951 814 705 0
6504646 G	951 814 716 0

Trouillet	WABCO
F01008696	951 813 726 0
HB 10315	951 814 716 0
HT 18002	951 812 721 0
ST 225-675	951 814 705 0

Trouillet-Piacenza	WABCO
ST-225-675	951 814 705 0

Van Hool	WABCO
624319-460	896 130 122 4
624319-610	896 130 105 4
624319-640	896 130 125 4
624319-680	896 130 122 4
624319-690	896 130 117 4

VDL Bus (DAF BUS)	WABCO
0 388 165	951 812 712 0
0 513 982	951 812 710 0

Viberti	WABCO
644285	951 814 705 0
128147102	951 814 706 0
128147122	951 814 705 0
128147123	951 812 721 0
128 147 122	951 814 705 0

Volvo	WABCO
1076594	951 812 762 0
1080707	951 814 716 0
1082085	896 130 123 4
1134445	896 130 105 4
1134446	896 130 125 4
1137882	896 130 117 4
1199873	896 130 105 4
1199893	896 130 105 4
1590136	896 130 106 4
1622111	896 130 105 4
1622115	896 130 106 4
1629193	896 130 106 4
3027271	896 130 120 4
3027272	896 130 118 4
3116799	951 899 002 0
11611776	896 130 146 4
1 075 290	896 130 161 4
1 076 594	951 812 762 0
1 080 707	951 814 716 0
1 137 888	896 130 117 4
1 590 136	896 130 106 4
20 554 759	951 700 004 0
20 582 206	951 700 008 0
20 582 214	951 700 007 0
20 582 215	951 700 001 0
3 027 271	896 130 120 4
3 027 272	896 130 118 4
6 797 169	896 130 158 4

Weweler	WABCO
21208082	951 814 716 0
US 00622	951 814 716 0
US 06285	951 812 749 0
US 06316	951 811 764 0
US 07364	951 811 111 0
US 35864F	951 812 719 0
US 35864F	951 812 719 0
US 87 EURO F	951 811 111 0
US 87408F	951 814 705 0
US 874131F	951 814 716 0
US 87413P	951 814 716 0
US 87413P	951 814 716 0
US 04028	951 814 782 0

Zorzi	WABCO
1006551	951 812 703 0
1006553	951 814 706 0

Manufacturer / Model	OEM number	Type	FA	LA	RA	T/LA	WABCO-number	Note
Bova								
FUTURA FLD	B510040	Bus	x		x		896 130 156 4	
BPW								
BPW 30	05.429.40.03.0	trailer					951 811 700 0	service assembly
BPW 30	05.429.40.10.1	trailer					951 811 762 0	
BPW 30	05.429.40.28.1	trailer					951 811 762 0	
BPW 30	05.429.40.36.1	trailer					951 811 762 0	
BPW 30	05.429.40.52.1	trailer					951 811 762 0	
BPW 30	05.429.40.52.1	trailer					951 811 702 0	
BPW 30	05.429.40.64.1	trailer					951 811 762 0	
BPW 30	05.429.40.64.1	trailer					951 811 702 0	
BPW 30	05.429.41.24.1	trailer					951 811 762 0	
BPW 30	05.429.41.24.1	trailer					951 811 702 0	
BPW 30	05.429.41.25.0	trailer					951 811 802 0	service assembly
BPW 30	05.429.43.20.0	trailer					951 811 762 0	
BPW 30	05.429.43.20.0	trailer					951 811 743 0	
BPW 30K	05.429.40.91.0	trailer					951 811 703 0	service assembly
BPW 30K	05.429.41.14.1	trailer					951 811 763 0	
BPW 30K	05.429.41.23.1	trailer					951 811 763 0	
BPW 30K	05.429.41.27.1	trailer					951 811 763 0	
BPW 30K	05.429.41.53.1	trailer					951 811 763 0	
BPW 30K	05.429.41.56.0	trailer					951 811 799 0	service assembly
BPW 30K	05.429.41.77.0	trailer					951 811 801 0	service assembly
BPW 30K	05.429.42.19.1	trailer					951 811 763 0	
BPW 30K	05.429.43.21.0	trailer					951 811 752 0	
BPW 30K	05.429.43.21.0	trailer					951 811 763 0	
BPW 36	05.429.04.07.1	trailer					951 814 712 0	
BPW 36	05.429.40.01.0	trailer					951 814 708 0	service assembly
BPW 36	05.429.40.14.1	trailer					951 814 712 0	
BPW 36	05.429.40.24.1	trailer					951 814 712 0	
BPW 36	05.429.40.39.1	trailer					951 814 712 0	
BPW 36	05.429.40.47.1	trailer					951 814 712 0	
BPW 36	05.429.40.50.1	trailer					951 814 712 0	
BPW 36	05.429.40.61.1	trailer					951 814 712 0	
BPW 36	05.429.41.21.1	trailer					951 814 712 0	
BPW 36	05.429.41.36.1	trailer					951 814 712 0	
BPW 36	05.429.41.42.1	trailer					951 814 712 0	
BPW 36	05.429.43.51.0	trailer					951 814 748 0	
BPW 36-1	05.429.40.05.0	trailer					951 814 700 0	service assembly
BPW 36-1	05.429.41.71.1	trailer					951 814 781 0	
BPW 36K	05.429.41.01.0	trailer					951 814 701 0	service assembly
BPW 36K	05.429.41.31.1	trailer					951 814 724 0	
FA: front axle, LA: driving axle, RA: rear axle, T/LA: trailing axle / lifting axle								

Manufacturer / Model	OEM number	Type	FA	LA	RA	T/LA	WABCO-number	Note
BPW 36K	05.429.43.41.0	trailer					951 814 757 0	
DAF								
95 SERIE	0388167	truck			x		951 812 711 0	2 air connections; complete
CF 65	1697678	truck		x	x	x	951 812 712 0	
FA 2135	0638148	truck			x		896 130 125 4	
FA 2200	0638148	truck			x		896 130 125 4	
FA 2800	0638148	truck			x		896 130 125 4	
FA 2805	0638148	truck			x		896 130 125 4	
FA 3000	1384274	truck			x		951 814 705 0	
FA 3000	1384274	truck			x		951 814 706 0	4 stud bolts
FT 2300	0638148	truck			x		896 130 125 4	
FT 2800	0638148	truck			x		896 130 125 4	
MB 200	0638148	bus			x		896 130 125 4	
MB 230	0638148	bus			x		896 130 125 4	
SB 1602	0638148	bus			x		896 130 125 4	
SB 1603	0638148	bus			x		896 130 125 4	
SB 1604	0638148	bus			x		896 130 125 4	
SB 1605	0638148	bus			x		896 130 125 4	
SB 2000	0689677	bus	x				896 130 105 4	bellow
SB 2000	0578361	bus			x		896 130 126 4	
SB 201	0689677	bus	x				896 130 105 4	bellow
SB 201	0644425	bus			x		896 130 122 4	bellow
SB 201	0578361	bus			x		896 130 126 4	
Dennis-Bus								
DOMINATOR	650292/8	bus			x		896 130 106 4	
DUPLE 425	650883/4	bus	x		x		896 130 106 4	
FALCON	650292/8	bus			x		896 130 106 4	
INTEGRAL	650883/4	bus	x		x		896 130 106 4	
Drögmöller								
303 / 9-15		bus	x		x		896 130 105 4	
DRM	440320200002-00	bus	x				896 130 117 4	
E 280 H	440320200002-00	bus	x				896 130 117 4	
E 320 HD	440320200002-00	bus	x				896 130 117 4	
EvoBus								
O 303/O 405G/O 309/O 405	A 000 327 01 01	bus	x		x		896 130 105 4	Mercedes
O 404	A 000 327 01 01	bus			x		896 130 105 4	Mercedes
O 404	A 356 327 00 01	bus	x				896 130 145 4	Mercedes
O 404	A 356 327 00 01	bus	x				896 130 145 4	
S 212 HD	4 771 427 000	bus			x		896 130 117 4	
S 215 V	4 771 427 000	bus			x		896 130 117 4	
S 228 DT	4 771 170 000	bus			x		896 130 105 4	6 t
S 228 DT	4 731 031 000	bus	x		x		896 130 117 4	7,5 t
FA: front axle, LA: driving axle, RA: rear axle, T/LA: trailing axle / lifting axle								

Manufacturer / Model	OEM number	Type	FA	LA	RA	T/LA	WABCO-number	Note
SG 052	4 731 012 000	bus	x				896 130 117 4	
SG 180	4 771 143 000	bus			x		896 130 105 4	
Frühauf								
UJA 0894-1		trailer					951 812 702 0	
UJB 0203	1524873	trailer					951 812 702 0	
UJB 0203-001	1524873	trailer					951 812 702 0	
UJB 0207	1525267	trailer					951 812 706 0	
UJB02358		trailer					951 812 721 0	
UJY0099		trailer					951 812 721 0	
Gigant								
NLRM/ NLRs Series	24 61 49	trailer					951 814 704 0	service assembly, Gigant 3653
Hendrickson								
AIRPOISE	505859	trailer					951 814 705 0	Jan '86
HT 250	HS 251087	trailer					951 813 150 0	
TECAIR	505859	trailer					951 814 705 0	
TECAIR	505859/01	trailer					951 814 705 0	
TECAIR	506243	trailer					951 814 716 0	
TECAIR	506243/01	trailer					951 814 716 0	
Ikarus								
190.01		bus	x				896 130 117 4	
190.01		bus			x		896 130 126 4	
190.02		bus	x				896 130 117 4	
190.02		bus			x		896 130 126 4	
Blue Danube		bus	x		x		896 130 105 4	
Inbus								
330	5001098	bus					896 130 146 4	
Iris Bus (Iveco)								
ER/PR 180	5000786640	bus				x	896 130 155 4	
FR1	5000954175	bus	x				896 130 167 4	
Iveco								
370	4716989	bus	x		x		896 130 124 4	
370	4716989	bus	x		x		896 130 157 4	
380	4716989	bus			x		896 130 124 4	
421	4716989	bus			x		896 130 124 4	
470/471/570/670	41822247	bus	x		x		896 130 117 4	
Eurotech MP/LD 180E	8188539	truck			x		896 130 110 4	
Eurotech MP/LD 180E	8188526	truck					896 130 121 4	
Eurotech MP/LD 190E	8188539	truck			x		896 130 110 4	
Eurotech MP/LD 190E	8188526	truck					896 130 121 4	
Eurotech MP/LD 240E	8188539	truck			x		896 130 110 4	
Eurotech MP/LD 260E	8188539	truck			x		896 130 110 4	
Eurotech MP/LD 400E	8188539	truck			x		896 130 110 4	
Eurotech MP/LD 400E	8188526	truck					896 130 121 4	
FA: front axle, LA: driving axle, RA: rear axle, T/LA: trailing axle / lifting axle								

Manufacturer / Model	OEM number	Type	FA	LA	RA	T/LA	WABCO-number	Note
Eurotech MP/LD 440E	8188539	truck			x		896 130 110 4	
Eurotech MP/LD 440E	8188526	truck					896 130 121 4	
EUROTECH MT 180E	4716989	truck					896 130 124 4	
EUROTECH MT 190E	4716989	truck					896 130 124 4	
F 370		bus			x		896 130 106 4	Iveco
FIAT - 116.121	4746733	truck	x		x		896 130 117 4	
FIAT - 119.121	4746733	truck					896 130 117 4	
FIAT - 79.121	4746733	truck					896 130 117 4	Iveco
IVECO - 190.30	4746733	truck	x		x		896 130 117 4	
IVECO - 240.30	4746733	truck	x		x		896 130 117 4	
IVECO - 240.36	4746733	truck	x		x		896 130 117 4	
IVECO - 240.38	4746733	truck	x		x		896 130 117 4	
M 170 SH 110	249.8667 EC5067-04	bus	x				896 130 117 4	
M 200 L 120	249.8667 EC5067-04	bus	x		x		896 130 117 4	
M 200 SH 110	249.8667 EC5067-04	bus	x		x		896 130 117 4	
M 230 SH 117	249.8667 EC5067-04	bus	x		x		896 130 117 4	
R105	536 905 265	bus	x		x		896 130 105 4	
R121	249.8667 EC5067-04	bus	x		x		896 130 117 4	
Ü 80	41822247	bus	x				896 130 117 4	
Jonckheere (VDL Bus)								
041 CITY BUS		bus	x				896 130 106 4	complete assembly
046 CITY BUS		bus	x				896 130 106 4	complete assembly
Kässbohrer- Setra (EvoBus)								
216 DHS	4.771.170.000	bus					896 130 105 4	
216 DHS	4.731.012.000	bus	x				896 130 117 4	
228 DT (6 & 7.ST)	4.771.170.000	bus					896 130 105 4	
228 DT (6 & 7.ST)	4.731.012.000	bus	x				896 130 117 4	
S110	4.771.170.000	bus	x		x		896 130 105 4	
S12, 14, 15L	4.771.170.000	bus	x		x		896 130 105 4	
S12, 14, 15L	4.771.110.000	bus	x				896 130 105 4	
S120 GV/HV	4.771.170.000	bus			x		896 130 105 4	
S120 GV/HV	4.731.012.000	bus	x				896 130 117 4	
S125	4.771.170.000	bus			x		896 130 105 4	
S125	4.731.012.000	bus	x				896 130 117 4	
S1305	4.771.170.000	bus			x		896 130 105 4	
S1305	4.731.012.000	bus	x				896 130 117 4	
S140E, ES, H	4.731.012.000	bus	x				896 130 117 4	
S140E,ES,H	4.771.170.000	bus			x		896 130 105 4	
S150	4.731.012.000	bus	x		x		896 130 117 4	
S150 E, H	4.731.042.000	bus	x				896 130 117 4	
S150 E,H	4.771.170.000	bus			x		896 130 105 4	
S180	4 771 170 000	bus			x		896 130 105 4	
S180	4.731.042.000	bus	x				896 130 117 4	
S200, 209, 211, 212	4.771.170.000	bus			x		896 130 105 4	
FA: front axle, LA: driving axle, RA: rear axle, T/LA: trailing axle / lifting axle								

Manufacturer / Model	OEM number	Type	FA	LA	RA	T/LA	WABCO-number	Note
S200, 209, 211, 212	4.731.012.000	truck	x				896 130 117 4	
S210 H, HD	4 771 170 000	bus			x		896 130 105 4	
S210 H, HD	4.731.042.000	bus	x				896 130 117 4	
S213, 214, 215	4.771.170.000	bus			x		896 130 105 4	
S213, 214, 215	4.731.012.000	bus	x				896 130 117 4	
S216 HSD	4.771.170.000	bus			x		896 130 105 4	
S216 HSD	4.731.042.000	bus	x				896 130 117 4	
SG 150,200	4.731.012.000	bus	x				896 130 117 4	
SG 175, 98, 052	4.771.170.000	bus			x		896 130 105 4	
SG 175, 98, 052	4.731.012.000	bus	x				896 130 117 4	
SG 180	4.771.170.000	bus			x		896 130 105 4	
SG 180	4.731.012.000	bus	x				896 130 117 4	
Kässbohrer (Kögel)								
SG 052	4.731.012.000	trailer	x				896 130 117 4	
SG 180	4.771.143.000	trailer			x		896 130 105 4	
SG 180	4.771.441.000	trailer					896 130 105 4	
Magirus-Deutz								
M170SH110	0249 8667	bus	x		x		896 130 117 4	
M200SH110	0249 8667	bus	x	x	x		896 130 117 4	
M200SH110-U	0249 8667	bus	x		x		896 130 117 4	
M230L117	0249 8667	bus	x		x		896 130 117 4	
R105	536 905 265	bus	x		x		896 130 105 4	
R121	0249 8667	bus	x		x		896 130 117 4	
SH110	041822247	bus	x		x		896 130 117 4	
SH120	041822247	bus	x		x		896 130 117 4	
SH170 (GL.BUS)	041822247	bus	x		x		896 130 117 4	
U80	041822247	bus	x				896 130 117 4	
MAN								
10150	81.43601.0065	truck					896 130 153 4	
10 150	81.43601.0065	truck			x		896 130 106 4	
10 150	81.43601.0067	truck					896 130 106 4	
10 U 210 R12	90.83112.0144	bus	x	x	x		896 130 117 4	
11 U 210 R13	90.83112.0144	bus	x		x		896 130 117 4	
11 U 210/R13	90.83112.0144	bus	x		x		896 130 117 4	
11 U 219 R13	90 83112 0114	bus	x		x		896 130 117 4	
12 U 210 R12	90.83112.0144	bus	x		x		896 130 117 4	
13 168 FL	81.43601.0033/36/37	truck					896 130 106 4	
13 168 FL/BL	81.43601.0033/36/37	truck			x		896 130 106 4	
13 168 FLS	81.43601.0033/36/37	truck					896 130 106 4	
13 168 FLS/BL	81.43601.0033/36/37	truck			x		896 130 106 4	
13 192 FL	81.43601.0033/36/37	truck			x		896 130 106 4	
13 192 F-OC	81.43601.0036	bus					896 130 106 4	
13 192 F-OC	81.43601.0036	truck					896 130 106 4	
13 192 F-OC	81.43601.0033/36/37	truck	x		x		896 130 106 4	
FA: front axle, LA: driving axle, RA: rear axle, T/LA: trailing axle / lifting axle								

Manufacturer / Model	OEM number	Type	FA	LA	RA	T/LA	WABCO-number	Note
13 192 H-OC	81.43601.0033/36/37	truck	x		x		896 130 106 4	
14 168 FL/BL	81.43601.0033/36/37	truck					896 130 106 4	
14 168 FL/BL	81.43601.0033/36/37	truck			x		896 130 106 4	
14 192 FL/BL	81.43601.0033/36/37	truck					896 130 106 4	
14 192 FLS/BL	81.43601.0033/36/37	truck			x		896 130 106 4	
14 192 UL/BL	81.43601.0033/36/37	truck			x		896 130 106 4	
14 232	81.43601.0066/68/69/ 106/108	truck			x		896 130 110 4	
15 168 FL	81.43601.0033/36/37	truck					896 130 106 4	
15 168 FL	81.43601.0066/68/69/ 106/108	truck					896 130 110 4	
15 168 FL/BL	81.43601.0033/36/37	truck					896 130 106 4	
15 168 FL/BL	81.43601.0066/68/69/ 106/108	truck			x		896 130 110 4	
15 168 FLS/BL	81.43601.0033/36/37	truck			x		896 130 106 4	
15 192 FL/BL	81.43601.0033/36/37	truck					896 130 106 4	
15 192 FLS/BL	81.43601.0033/36/37	truck					896 130 106 4	
15 200 FL	81.43601.0066/68/69/ 106/108	truck					896 130 110 4	
15 240 FL	81.43601.0066/68/69/ 106/108	truck					896 130 110 4	
15 240 FL/BL	81.43601.0066/68/69/ 106/108	truck			x		896 130 110 4	
15 240 FLS	81.43601.0033/36/37	truck					896 130 106 4	
15 240 FLS/BL	81.43601.0033/36/37	truck			x		896 130 106 4	
16 168 FL/BL	81.43601.0033/36/37	truck					896 130 106 4	
16 168 FLS/BL	81.43601.0033/36/37	truck					896 130 106 4	
16 192 FL/BL	81.43601.0033/36/37	truck					896 130 106 4	
16 192 FLS/BL	81.43601.0033/36/37	truck					896 130 106 4	
16 240 FL/BL	81.43601.0033/36/37	truck					896 130 106 4	
16 240 FLS/BL	81.43601.0033/36/37	truck					896 130 106 4	
16 256 FL	81.43601.0033/36/37	truck	x		x		896 130 106 4	
16 256 FLS	81.43601.0033/36/37	truck			x		896 130 106 4	
16 320 FL	81.43601.0033	truck					896 130 106 4	
16 320 FL	81.43601.0033/36/37	truck					896 130 106 4	
16 320 FLS	81.43601.0033	truck			x		896 130 106 4	
16 320 UL	81.43601.0033	truck					896 130 106 4	
16 320 UL	81.43601.0033/36/37	truck					896 130 106 4	
18 272	81.43601.0066/68/69/ 106/108	truck	x				896 130 110 4	
19 240 FLS/BL - 16T	81.43601.0033/36/37	truck					896 130 106 4	
19 240 FLW/LL - 16T	81.43601.0033/36/37	truck					896 130 106 4	
19 281 FLS/BL - 16T	81.43601.0033/36/37	truck					896 130 106 4	
19 281 FLW/LL - 16T	81.43601.0033/36/37	truck					896 130 106 4	
19 321 FLS/BL - 16T	81.43601.0033/36/37	truck					896 130 106 4	
19 321 FLW/LL - 16T	81.43601.0033/36/37	truck			x		896 130 106 4	

FA: front axle, LA: driving axle, RA: rear axle, T/LA: trailing axle / lifting axle

Manufacturer / Model	OEM number	Type	FA	LA	RA	T/LA	WABCO-number	Note
19 321 UU/LL - 16T	81.43601.0033/36/37	truck			x		896 130 106 4	
19 322	81.43601.0066/68/69/106/108	truck	x		x		896 130 110 4	
19 422	81.43601.0066/68/69/106/108	truck	x		x		896 130 110 4	
10 U 210 R12	90.83112.0114	bus	x		x		896 130 117 4	
20 281 FVLS/BL	81.43601.0037	truck				x	896 130 106 4	
20 320 FVLS	81.43601.0037	truck				x	896 130 106 4	
20 321 FVLS/BL	81.43601.0037	truck				x	896 130 106 4	
22 192 FNFNL/BL	81.43601.0033/36/37	truck			x		896 130 106 4	
22 192 FNL/LL	81.43601.0033/36/37	truck					896 130 106 4	
22 192 FNLW/LL	81.43601.0033/36/37	truck			x		896 130 106 4	
22 192 FVL-KO	81.43601.0033/36/37	truck			x		896 130 106 4	
22 240 FNL	81.43601.0033/36/37	truck			x		896 130 106 4	
22 240 FNL/BL	81.43601.0033/36/37	truck			x		896 130 106 4	
22 240 FNL/LL	81.43601.0033/36/37	truck					896 130 106 4	
22 240 FNLW/LL	81.43601.0033/36/37	truck			x		896 130 106 4	
22 240 FVL-KO	81.43601.0033/36/37	truck			x		896 130 106 4	
22 281 FNL/BL	81.43601.0033/36/37	truck					896 130 106 4	
22 281 FNL/LL	81.43601.0033/36/37	truck					896 130 106 4	
22 281 FNLS/BL	81.43601.0033/36/37	truck			x		896 130 106 4	
22 281 FNLW/LL	81.43601.0033/36/37	truck			x		896 130 106 4	
22 281 FVLS/BL	81.43601.0033/36/37	truck			x		896 130 106 4	
22 320 FNL	81.43601.0033/36/37	truck					896 130 106 4	
22 320 FNL	22 320 FNL/LG.	truck			x	x	896 130 106 4	
22 320 FNL,LG.	81.43601.0033/36/37	truck			x	x	896 130 106 4	
22 320 UNL	81.43601.0033/36/37	truck					896 130 106 4	
22 320 UNL,LG.	81.43601.0033/36/37	truck			x	x	896 130 106 4	
22 320 UNL,LG.	81.43601.0037	truck			x	x	896 130 106 4	
22 321 FNL/BL	81.43601.0033/36/37	truck					896 130 106 4	
22 321 FNL/LL	81.43601.0033/36/37	truck					896 130 106 4	
22 321 FNLS/BL	81.43601.0033/36/37	truck			x		896 130 106 4	
22 321 FNLW/LL	81.43601.0033/36/37	truck			x		896 130 106 4	
22 321 FVLS/BL	81.43601.0033/36/37	truck			x		896 130 106 4	
22 321 UNL/BL	81.43601.0033/36/37	truck			x		896 130 106 4	
22 321 UNL/LL	81.43601.0033/36/37	truck					896 130 106 4	
24 232		truck					896 130 111 4	
24 272		truck					896 130 111 4	
24 372	81.43601.0150	truck				x	896 130 111 4	
26 320 DFLS	81.43601.0033/36/37	truck			x	x	896 130 106 4	
26 321 DFLS/BL	81.43601.0033/36/37	truck			x	x	896 130 106 4	
BG 120N	81.43601.0033	bus	x		x		896 130 106 4	
BS 100 GT SKD	90.83112.0144	bus	x		x		896 130 117 4	
BS 120 N	90.83112.0144	bus					896 130 117 4	
BS 120 N	90.83112.0144	bus					896 130 117 4	

FA: front axle, LA: driving axle, RA: rear axle, T/LA: trailing axle / lifting axle

Manufacturer / Model	OEM number	Type	FA	LA	RA	T/LA	WABCO-number	Note
BUS 362 H	81.43601.0056/57/58/ 76/79/82/84/91/114/ 116/118	bus					896 130 125 4	
BUS 362 H	81.43601.0056/57/58/ 76/79/82/84/91/114/ 116/118	bus					896 130 125 4	
EL 202	81.43601.0066/68/69/ 104/109/111	bus	x				896 130 110 4	
EL 202	81.43601.0095/97/ 102/105	bus	x				896 130 119 4	
F90	81.43601.0066/68/69/ 106/108	truck					896 130 110 4	
F90	81.43601.0071	truck	x				896 130 123 4	
F90	81.43601.0072	truck					896 130 123 4	
F90/M90	81.43601.0066	truck	x		x		896 130 110 4	
FNL/FNLL - 2000	81.43601.0127	truck			x		896 130 159 4	11,5 t
MAN 292	81.43601.056/57/58/ 76	bus			x		896 130 125 4	
MAN 292 F	81.43601.056/57/58/ 76/..	bus			x		896 130 125 4	
MAN 292/362 H	81.43601.056/57/58/ 76/..	bus			x		896 130 125 4	
MAN 322/422	81.43601.0095/97/ 102/105	bus	x				896 130 119 4	
MAN 362 F	81.43601.056/57/58/ 76/..	bus			x		896 130 125 4	
ND 202	81.43601.0066/68/69/ 104/109/111	bus	x				896 130 110 4	
NG 272 Podestlos	81.43601.0066/68/69/ 104/109/111	bus	x				896 130 110 4	
NG 272 Podestlos	81.43601.0095/97/ 102/105	bus	x				896 130 119 4	
NL 202 F	81.43601.0066/68/69/ 104/109/111	bus	x				896 130 110 4	
NL 202 F	81.43601.0095/97/ 102/105	bus	x				896 130 119 4	
NL 202 München	81.43601.0066/68/69/ 104/109/111	bus	x				896 130 110 4	
NL 202 München	81.43601.0095/97/ 102/105	bus	x				896 130 119 4	
NL 202 München	81.43601.0100	truck					896 130 153 4	
NL 202 Podestlos	81.43601.0066/68/69/ 104/109/111	bus	x				896 130 110 4	
NL 202 Podestlos	81.43601.0095/97/ 102/105	bus	x				896 130 119 4	
NL CNG Podestlos	81.43601.0066/68/69/ 104/109/111	bus	x				896 130 110 4	
NL CNG Podestlos	81.43601.0095/97/ 102/105	bus	x				896 130 119 4	
NM 152 Midibus	81.43601.0095/97/ 102/105	bus	x				896 130 119 4	
SD 242	81.43601.0057/58	bus			x		896 130 125 4	

FA: front axle, LA: driving axle, RA: rear axle, T/LA: trailing axle / lifting axle

Manufacturer / Model	OEM number	Type	FA	LA	RA	T/LA	WABCO-number	Note
SG 242/282	81.43601.0057/58	bus			x		896 130 125 4	
SG 242/292	81.43601.0057/58	bus			x		896 130 125 4	
SG 242/292 F	81.43601.0057/58	bus			x		896 130 125 4	
SG 292 F Israël	81.43601.0057/58	bus			x		896 130 125 4	
SL 200	81.43601.0057/58	bus			x		896 130 125 4	
SL 200 F Israël	81.43601.0057/58	bus			x		896 130 125 4	
SL 200 F Portugal	81.43601.0057/58	bus			x		896 130 125 4	
SL 202	81.43601.0057/58	bus			x		896 130 125 4	
SL 202 F	81.43601.0057/58	bus			x		896 130 125 4	
SL 242 M11 F LPG	81.43601.0057/58	bus			x		896 130 125 4	
SL 250	81.43601.0126	bus	x		x	x	896 130 119 4	
SR 292/362	81.43601.0057/58	bus			x		896 130 125 4	
SUE 242	81.43601.0057/58	bus			x		896 130 125 4	
SUE 290 F Israël	81.43601.0057/58	bus			x		896 130 125 4	
UEL 242	81.43601.0095/97/ 102/105	bus	x				896 130 119 4	
Menarini								
110L	178741	bus			x		896 130 124 4	
120-101	178741	bus			x		896 130 124 4	
Mercedes-Benz								
0302	A000.327.0101	bus	x		x		896 130 105 4	
0303	000.327.0101	bus	x		x		896 130 105 4	
0305	000.327.0101	bus	x		x		896 130 105 4	
0307	000.327.0101	bus	x		x		896 130 105 4	
0309	000.327.0101	bus	x		x		896 130 105 4	
0317	000.327.0101	bus	x		x		896 130 105 4	
0321	307.328.0001	bus	x		x		896 130 105 4	
0322	307.328.0001	bus	x		x		896 130 105 4	
0404	A 356.327.0001	bus	x				896 130 145 4	
0407	A000.327.0101	bus	x		x		896 130 105 4	
0405	307.328.0001	bus	x		x		896 130 105 4	
0405 G2	A000.327.0101	bus	x				896 130 105 4	
0405 N	A000.327.0101	bus	x				896 130 105 4	
0417	A000.327.0101	bus	x		x		896 130 105 4	
0417		bus			x		896 130 105 4	
1017 LS	387.328.0001	truck					896 130 106 4	
1217 L	387.328.0101	truck			x		896 130 106 4	
1419 L	387.328.0101	truck			x		896 130 106 4	
1420 L	387.328.0101	truck			x		896 130 106 4	
1422 L	387.328.0101	truck					896 130 106 4	
1422 LS	387.328.0101	truck					896 130 106 4	
1425 LS	387.328.0101	truck	x				896 130 106 4	
1524 LS	387.328.0101	truck	x				896 130 106 4	
1613 L	387.328.0101	truck	x				896 130 106 4	
FA: front axle, LA: driving axle, RA: rear axle, T/LA: trailing axle / lifting axle								

Manufacturer / Model	OEM number	Type	FA	LA	RA	T/LA	WABCO-number	Note
1617 L	387.328.0101	truck	x				896 130 106 4	
1620 L	387.328.0101	truck					896 130 106 4	
1622 L	387.328.0101	truck	x		x		896 130 106 4	
1624 L/LS	387.328.0101	truck	x				896 130 106 4	
1625 L/LS	387.328.0101	truck	x		x		896 130 106 4	
1626 L/LS	387.328.0101	truck	x		x		896 130 106 4	
1628 L	387.328.0101	truck	x		x		896 130 106 4	
1632 L/LS	387.328.0101	truck	x		x		896 130 106 4	
1633 L	387.328.0101	truck	x		x		896 130 106 4	
1635 L	387.328.0101	truck			x		896 130 106 4	
1720 N	A 655.327.0001						896 130 160 4	
1838 LS	A 699.328.0101	truck					896 130 153 4	
1928 L	387.328.0101	truck	x				896 130 106 4	
1932 LS	393.328.0101	truck			x		896 130 106 4	
2219 L	387.328.0101	truck					896 130 106 4	
2219 LPL	387.328.0101	truck					896 130 106 4	
2220 L	387.328.0101	truck	x		x		896 130 106 4	
2222 L	387.328.0101	truck	x		x	x	896 130 106 4	
2224 LS	387.328.0101	truck			x		896 130 106 4	
2226 L	387.328.0101	truck	x		x		896 130 106 4	
2228 L	387.328.0101	truck	x		x	x	896 130 106 4	
2232 L	387.328.0101	truck			x	x	896 130 106 4	
2232 LPL	387.328.0001	truck	x		x		896 130 106 4	
2233 L	387.328.0101	truck			x	x	896 130 106 4	
2235 L	387.328.0101	truck			x		896 130 106 4	
2238 L	387.328.0101	truck			x		896 130 106 4	
2244 L	387.328.0101	truck			x		896 130 106 4	
2252 L	387.328.0101	truck			x		896 130 106 4	
2624 LS	387.328.0101	truck			x		896 130 106 4	
709 LPL	387.328.0101	truck			x		896 130 106 4	
808 LPL	387.328.0101	truck	x				896 130 106 4	
809 LPL	387.328.0101	truck			x		896 130 106 4	
813 LPL	387.328.0101	truck			x		896 130 106 4	
813 LPS/LPLS	387.328.0101	truck	x				896 130 106 4	
913 LPL	A 318.328.0001	truck					896 130 165 4	
Actros	A 942.328.0001	truck			x		896 130 171 4	service assembly, 1 air connection
Actros	A 942.328.0101	truck					896 130 172 4	service assembly, 2 air connections
Actros	A 942.320.0117	truck	x	x			951 700 003 0	Voss 230 air connection
Actros	A 942.320.0121	truck			x		951 895 050 0	complete assembly, Voss 230 air connection

FA: front axle, LA: driving axle, RA: rear axle, T/LA: trailing axle / lifting axle

Manufacturer / Model	OEM number	Type	FA	LA	RA	T/LA	WABCO-number	Note
Actros	A 942.320.0221	truck			x		951 895 060 0	complete assembly, Voss 230 air connection
Actros	A 942 320 0121	truck			x		951 895 050 0	complete assembly, Voss 230 air connection
Actros	A 942 320 0221	truck			x		951 895 060 0	complete assembly, Voss 230 air connection
DCA; DLS	A 946.328.1401	trailer					951 811 111 0	
DISCOS	946.328.0401	truck					951 813 150 0	
Meritor (ROR)								
2 STUD	21215761	trailer					951 812 719 0	
4 STUD	21208082	trailer					951 814 716 0	
4 STUD	21215632	trailer					951 814 716 0	
4 STUD	12108082	trailer					951 814 716 0	
WFL 041	21215632	trailer				x	951 814 716 0	side mount, 4 stud bolts
WFL 115S	21215761	trailer					951 812 719 0	
WFL 115T	21215761	trailer					951 812 719 0	
WFL 128	21215761	trailer					951 812 719 0	
WFL 128A	21215761	trailer					951 812 719 0	
WFL 131	21215761	trailer					951 812 719 0	
Metro Cammel Weymann								
METRO BUS Mki/II	X6641056	bus			x		896 130 106 4	
METRO LINER		bus			x		896 130 106 4	
Neoplan								
Cityliner	1001 12 250	bus	x				896 130 117 4	
Eurostar	1001.103.00	bus			x		896 130 105 4	
EUROSTAR	1001 12 254	bus	x				896 130 105 4	
EUROSTAR	AA10-01-001	bus			x		896 130 117 4	
JETLINER	1001 12 254	bus	x				896 130 105 4	
JETLINER	1001 12 250	bus			x		896 130 117 4	
JETLINER	1001 12 250	bus	x				896 130 117 4	
MOST	AA10-01-001	bus			x		896 130 117 4	
N116	AA10-01-002	bus	x		x		896 130 126 4	
N117/2	AA10-01-002	bus	x		x		896 130 126 4	
N117/3	AA10-01-002	bus	x		x		896 130 126 4	
N122	AA10-01-002	bus	x		x		896 130 126 4	
N122/2	AA10-01-002	bus	x		x		896 130 126 4	
N122/3	AA10-01-002	bus	x		x		896 130 126 4	
N138	AA10-01-002	bus	x		x		896 130 126 4	
N208	1001 12 254	bus	x				896 130 105 4	
N208	AA10-01-001	bus			x		896 130 117 4	
N209	AA10-01-001	bus	x		x		896 130 117 4	
N210	1001 12 254	bus	x				896 130 105 4	
FA: front axle, LA: driving axle, RA: rear axle, T/LA: trailing axle / lifting axle								

Manufacturer / Model	OEM number	Type	FA	LA	RA	T/LA	WABCO-number	Note
N210	AA10-01-001	bus			x		896 130 117 4	
N212	AA10-01-001	bus	x				896 130 117 4	
N212	AA10-01-002	bus			x		896 130 126 4	
N212H	AA10-01-001	bus	x				896 130 117 4	
N212H	AA10-01-002	bus			x		896 130 126 4	
N213	AA10-01-001	bus	x				896 130 117 4	
N213	AA10-01-002	bus			x		896 130 126 4	
N213H	AA10-01-001	bus	x				896 130 117 4	
N213H	AA10-01-002	bus			x		896 130 126 4	
N214	AA10-01-001	bus	x				896 130 117 4	
N214	AA10-01-002	bus	x		x		896 130 126 4	
N214H	AA10-01-001	bus	x				896 130 117 4	
N214H	AA10-01-002	bus	x		x		896 130 126 4	
N216	AA10-01-001	bus	x				896 130 117 4	
N216	AA10-01-002	bus	x		x		896 130 126 4	
N216H	AA10-01-001	bus	x				896 130 117 4	
N216H	AA10-01-002	bus	x		x		896 130 126 4	
N221	AA10-01-001	bus	x				896 130 117 4	
N221	AA10-01-002	bus	x		x		896 130 126 4	
N314	AA10-01-001	bus	x				896 130 117 4	
N314	AA10-01-002	bus	x		x		896 130 126 4	
N316	AA10-01-001	bus	x				896 130 117 4	
N316	AA10-01-002	bus	x		x		896 130 126 4	
N316MK	AA10-01-001	bus	x		x		896 130 126 4	
N326	AA10-01-002	bus	x		x		896 130 126 4	
N407	1001 12 250	bus			x		896 130 117 4	
N414	AA10-01-001	bus	x				896 130 117 4	
N414	AA10-01-002	bus	x		x		896 130 126 4	
N416	AA10-01-001	bus	x				896 130 117 4	
N416	AA10-01-002	bus			x		896 130 126 4	
N421	AA10-01-001	bus	x				896 130 117 4	
N421	AA10-01-002	bus			x		896 130 126 4	
N424	AA10-01-002	bus	x		x		896 130 126 4	
N426	AA10-01-002	bus	x		x		896 130 126 4	
N907	1001 12 254	bus	x				896 130 105 4	
N907	1001 103 00	bus			x		896 130 105 4	
N907	1001 12 250	bus			x		896 130 117 4	
N912	AA10-01-002	bus			x		896 130 126 4	
N912	AA10-01-002	bus	x				896 130 126 4	
N922	AA10-01-001	bus			x		896 130 117 4	
N922	AA10-01-002	bus	x				896 130 126 4	
N940	AA10-01-001	bus			x		896 130 117 4	
N940	AA10-01-002	bus	x				896 130 126 4	
ND6	1001 12 254	bus	x				896 130 105 4	

FA: front axle, LA: driving axle, RA: rear axle, T/LA: trailing axle / lifting axle

Manufacturer / Model	OEM number	Type	FA	LA	RA	T/LA	WABCO-number	Note
ND6	AA10-01-001	bus			x		896 130 117 4	
NH10L	1001 12 254	bus	x				896 130 105 4	
NH10L	AA10-01-001	bus			x		896 130 117 4	
NH12L	AA10-01-001	bus	x				896 130 117 4	
NH12L	AA10-01-002	bus			x		896 130 126 4	
NH13L	AA10-01-001	bus	x				896 130 117 4	
NH13L	AA10-01-002	bus			x		896 130 126 4	
NH14L	AA10-01-001	bus	x				896 130 117 4	
NH14L	AA10-01-002	bus			x		896 130 126 4	
NH15L	AA10-01-001	bus	x				896 130 117 4	
NH15L	AA10-01-002	bus			x		896 130 126 4	
NH22	AA10-01-001	bus	x				896 130 117 4	
NH22	AA10-01-002	bus			x		896 130 126 4	
NH25L	AA10-01-001	bus	x				896 130 117 4	
NH25L	AA10-01-002	bus			x		896 130 126 4	
NH8L	1001 12 254	bus	x				896 130 105 4	
NH8L	AA10-01-001	bus			x		896 130 117 4	
NH9L	1001 12 254	bus	x				896 130 105 4	
NH9L	AA10-01-001	bus			x		896 130 117 4	
SKYLINER	1001 12 250	bus			x		896 130 105 4	
SKYLINER	AA10-01-001	bus	x				896 130 117 4	
TR12	AA10-01-002	bus	x		x		896 130 126 4	
TR40	AA10-01-001	bus	x		x		896 130 117 4	
TR8	AA10-01-002	bus	x		x		896 130 126 4	
Pegaso (Iveco)								
5035N/6031/6038/6046		bus	x		x		896 130 110 4	
5522		bus			x		896 130 123 4	
6035		bus			x		896 130 110 4	
6522		bus			x		896 130 123 4	
6100S		bus			x		896 130 106 4	
Renault V.I.								
Bus R312	5 000 819 370	bus	x		x		896 130 170 4	
FR 1	5 000 954 176	bus			x		896 130 124 4	
Magnum	5 010 294 308 C	truck			x		951 813 714 0	steel piston, 13t
Premium	5 010 294 307 C	truck			x		951 813 711 0	
Premium R380	5 010 211 724	truck			x		951 700 006 0	Neway axle 6x2
R 365		bus			x		896 130 105 4	
R 420	5 000 819 517	bus			x		896 130 169 4	
TRACER	5 000 954 176	bus			x		896 130 124 4	
Tracer Export	5 001 829 866	bus			x		896 130 117 4	
Tracer R 333	5 001 829 866	bus			x		896 130 117 4	
SAF								
2618 V	3.229.0029.00	trailer					951 811 710 0	
FA: front axle, LA: driving axle, RA: rear axle, T/LA: trailing axle / lifting axle								

Manufacturer / Model	OEM number	Type	FA	LA	RA	T/LA	WABCO-number	Note
2619 V	3.229.0033.00	trailer					951 811 781 0	
2918 V	3.229.0027.00	trailer					951 814 730 0	
2923 V	3.229.0031.00	trailer					951 814 729 0	
2926 V	3.229.0030.00	trailer					951 814 728 0	
AR 112	2.228.0002.00	trailer					951 814 716 0	
AR 113	2.228.0002.00	trailer					951 814 716 0	
AR 200	2.228.0002.00	trailer					951 814 716 0	
AR 211	2.229.0003.00	trailer					951 814 705 0	
AR 212	2.229.0003.00	trailer					951 814 705 0	
AR 213	2.229.0003.00	trailer					951 814 705 0	
AR 313	2.229.0003.00	trailer					951 814 705 0	
AR 413	2.229.0003.00	trailer					951 814 705 0	
AR 413-1	2.229.0003.00	trailer					951 814 705 0	
AR 414	2.229.0002.00	trailer					951 814 716 0	
AR 414E	3.229.0007.02	trailer					951 811 705 0	
AR 416	4.284.3003.01	trailer					951 811 705 0	
AR 416	3.229.0007.01	trailer					951 811 713 0	
AR 416	3.229.0007.01	trailer					951 811 750 0	
AR 416S	3.229.0007.02	trailer					951 811 713 0	
AR 418	3.229.0007.02	trailer					951 811 713 0	
ARL 200	2.228.0002.00	trailer					951 814 716 0	
E5	2.229.0007.00	trailer					951 811 750 0	composite piston for self tappingscrews
E5	3.229.0007.02	trailer					951 811 750 0	
Scania								
112		truck			x		951 814 716 0	
133	1107674	truck			x		951 814 727 0	
113M		truck			x		951 814 705 0	
142/143	1314906	truck			x		951 814 727 0	
M112	1314906	truck			x		951 814 727 0	
M113	1314906	truck			x		951 814 727 0	
M142	1314906	truck			x		951 814 727 0	
P92		truck			x		951 814 705 0	
R93	1314906	truck			x		951 814 727 0	
Series 4	1379392	truck			x	x	951 814 753 0	
Series 4	1440294	truck			x	x	951 814 753 0	
Series 4	1543691	truck					951 814 753 0	
Series 4	1379392	truck			x	x	951 814 753 0	
Van Hool								
418 Alart		bus			x	x	896 130 126 4	
AM500	624319-610	bus	x		x		896 130 105 4	
AV138	624319-610	bus	x		x		896 130 105 4	
RU127		bus			x	x	896 130 126 4	
T809 Alizee	624319-610	bus	x		x		896 130 105 4	

FA: front axle, LA: driving axle, RA: rear axle, T/LA: trailing axle / lifting axle

Manufacturer / Model	OEM number	Type	FA	LA	RA	T/LA	WABCO-number	Note
T812 Alizee	624319-610	bus	x		x		896 130 105 4	
T813 Alizee	624319-610	bus	x		x		896 130 105 4	
T814 Alizee	624319-610	bus	x		x		896 130 105 4	
T815 Acron	624319-610	bus	x		x		896 130 105 4	
T815 Alicron	624319-610	bus	x		x		896 130 105 4	
T815 Alizee	624319-610	bus	x		x		896 130 105 4	
T815 Astron	624319-610	bus	x		x		896 130 105 4	
T816 Altano	624319-610	bus					896 130 105 4	
T816 Altano	624319-610	bus	x				896 130 105 4	
T818 Astron Art.	624319-610	bus			x		896 130 105 4	articulated bus
T818 Astron Art.	624319-690	bus	x				896 130 117 4	articulated bus
T820 Amgnt Art.	624319-610	bus			x		896 130 105 4	articulated bus
T820 Amgnt Art.	624319-690	bus	x				896 130 117 4	articulated bus
T824 Amagnt	624319-610	bus	x		x		896 130 105 4	
T824 Anagnt	624319-610	bus			x		896 130 105 4	
T824 Astromega Art.	624319-610	bus			x		896 130 105 4	articulated bus
T824 Astromega Art.	624319-690	bus	x				896 130 117 4	articulated bus
TD824 Astromega	624319-690	bus	x				896 130 117 4	
TD824 Astromega	624319-640	bus			x		896 130 125 4	
VH440/4	624319-610	bus	x		x		896 130 105 4	
VH440/4		bus			x		896 130 126 4	
VH540	624319-610	bus	x		x		896 130 105 4	
VHA120	624319-610	bus	x				896 130 105 4	
VHA120	624319-640	bus			x		896 130 125 4	
VHA120		bus	x				896 130 126 4	
VHAU115	624319-610	bus	x	x	x	x	896 130 105 4	
VHAU115/1	624319-610	bus	x				896 130 105 4	
VHAU115/1	624319-640	bus			x		896 130 125 4	
VHC441	624319-610	bus	x		x		896 130 105 4	
VHCAU124	624319-640	bus			x		896 130 125 4	
VHCAU124	624319-610	bus	x				896 130 126 4	
VHD119	624319-640	bus			x		896 130 125 4	
VHD119	624319-610	bus	x				896 130 126 4	
VHDAI114	624319-610	bus			x		896 130 105 4	
VHDAI114	624319-610	bus	x				896 130 126 4	
VHDAI119,119/2	624319-640	bus			x		896 130 125 4	
VHDAI119,119/2	624319-610	bus	x				896 130 126 4	
VHDAU115	624319-610	bus			x		896 130 105 4	
VHDAU115	624319-610	bus	x				896 130 105 4	
VHDAU115/1	624319-610	bus	x				896 130 105 4	
VHDAU115/1	624319-610	bus	x				896 130 126 4	
VHF309 AU93	624319-610	bus			x		896 130 105 4	
VHF309 AU93,95	624319-610	bus	x				896 130 105 4	
VHF309 AU95	624319-610	bus	x				896 130 105 4	

FA: front axle, LA: driving axle, RA: rear axle, T/LA: trailing axle / lifting axle

Manufacturer / Model	OEM number	Type	FA	LA	RA	T/LA	WABCO-number	Note
VHF332	624319-640	bus			x		896 130 125 4	
VHF332	624319-610	bus	x				896 130 126 4	
VHF409 AU93	624319-610	bus	x		x		896 130 105 4	
VHF409 AU95	624319-610	bus	x		x		896 130 105 4	
VHF440	624319-610	bus	x		x		896 130 105 4	
VHF440/4	624319-610	bus	x		x		896 130 105 4	
VHF4400		bus	x				896 130 126 4	
VHF440B	624319-610	bus	x				896 130 105 4	
VHF440B	624319-640	bus			x		896 130 125 4	
VHF441	624319-610	bus	x		x		896 130 105 4	
VHF441		bus			x		896 130 126 4	
VHF444	624319-610	bus	x		x		896 130 105 4	
VHF444B	624319-610	bus	x		x		896 130 105 4	
VHF444C	624319-610	bus	x		x		896 130 105 4	
Volvo								
B10B	3027272	bus	x		x		896 130 118 4	
B10M	1134445	bus			x		896 130 105 4	
B10M	1137888	bus	x				896 130 117 4	
B10M MK4	3027271	bus	x		x		896 130 120 4	
B10M MK4	3027272	bus			x		896 130 118 4	
B10M MK4	3027271	bus	x				896 130 120 4	
B10M MKIII	1134445	bus			x		896 130 105 4	
B10M MKIII	1137888	bus	x				896 130 117 4	
B10M MKIIIG	1134445	bus					896 130 105 4	
B10M MKIIIG	3027272	bus					896 130 118 4	
B10M MKIIIG	3027271	bus					896 130 120 4	
B10M4	3027272	bus	x				896 130 118 4	
B10M4	1134445	bus			x		896 130 105 4	
B10M4	3027272	bus	x				896 130 118 4	
B10R	1134445	bus	x				896 130 105 4	
B10R	1134446	bus			x		896 130 125 4	
B12	1134445	bus			x		896 130 105 4	
B12	3027272	bus	x				896 130 118 4	
B55		bus			x		896 130 122 4	
B55 AILSA	1590136	bus			x		896 130 106 4	
B58	1590136	bus			x		896 130 106 4	
C10M	1134445	bus			x		896 130 105 4	
C10M	1199893	bus			x		896 130 105 4	
C10M	1137882	bus	x				896 130 117 4	
C10M	1137888	bus	x				896 130 117 4	
CITY BUS	1134445	bus			x		896 130 105 4	
CITY BUS	1137888	bus	x				896 130 117 4	
F4	1134445	truck			x		896 130 105 4	
F6	1134445	truck			x		896 130 105 4	

FA: front axle, LA: driving axle, RA: rear axle, T/LA: trailing axle / lifting axle

Manufacturer / Model	OEM number	Type	FA	LA	RA	T/LA	WABCO-number	Note
F7	1137888	truck	x				896 130 117 4	
F10	1134445	truck			x		896 130 105 4	
F10	1590136	truck			x		896 130 106 4	
F10/12	6797169	truck					896 130 158 4	
F12	1134445	truck			x		896 130 105 4	
F12	1590136	truck			x		896 130 106 4	
FH12/16	1076594	truck					951 812 762 0	
FL10	1590136	truck					896 130 106 4	
FL6	1590136	truck			x		896 130 106 4	
FL611	1590136	truck			x		896 130 106 4	
FL614	1590136	truck			x		896 130 106 4	
FL617	1590136	truck			x		896 130 106 4	
FL7	1590136	truckbus			x		896 130 106 4	

Wackenhut

10 TON AXLE		trailer					896 130 126 4	
-------------	--	---------	--	--	--	--	---------------	--

Weweler

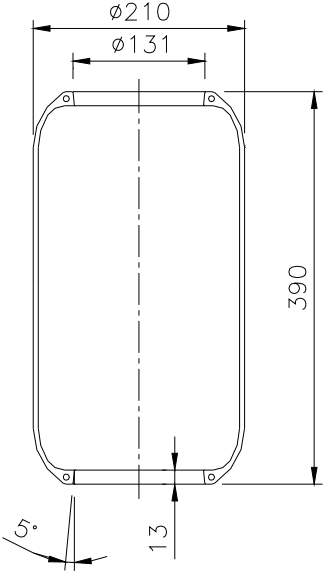
AC 041/115/134/134L	US 87413P	trailer					951 814 716 0	
---------------------	-----------	---------	--	--	--	--	---------------	--

AC 128/ 131	US 35864F	trailer					951 812 719 0	
-------------	-----------	---------	--	--	--	--	---------------	--

AC 138	US 35864F	trailer					951 812 719 0	
--------	-----------	---------	--	--	--	--	---------------	--

AC 138	US 87413P	trailer					951 814 716 0	
--------	-----------	---------	--	--	--	--	---------------	--

FA: front axle, LA: driving axle, RA: rear axle, T/LA: trailing axle / lifting axle

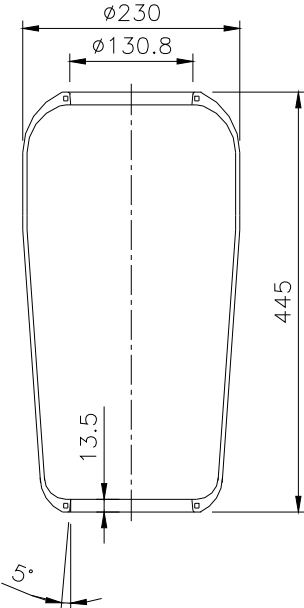
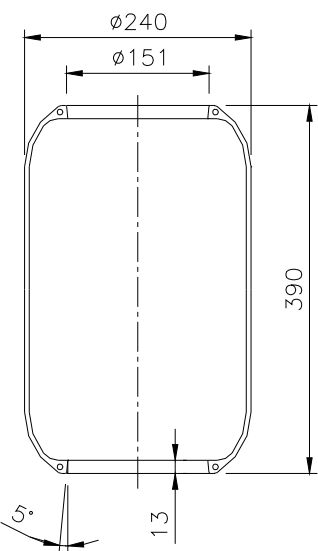
WABCO nb.	View	OEM number	Competition
Bellow 896 130 105 4		<p>BPW 02.200.24.40.0</p> <p>DAF 0689677</p> <p>DAF 696229</p> <p>EvoBus 4.771.143.000 4.771.170.000 A 000.327.01.01 A 628.320.02.25</p> <p>Heuliez 0303 0305G</p> <p>Iveco 536 905 265</p> <p>Kässbohrer (Kögel) 4.771.110.000 4.771.143.000 4.771.170.000 4.771.441.000</p> <p>Kässbohrer-Setra (EvoBus) 4.771.110.000 4.771.170.000</p> <p>Magirus-Deutz 536 905 265</p> <p>Mercedes-Benz 307.327.0001 307.327.0101 307.328.0001 364.327.7001 000.327.0101</p> <p>Neoplan 1001 12 250 1001 12 254 1001.103.00</p> <p>Van Hool 624319-610</p> <p>Volvo 1134445 1199873 1199893 1622111</p>	<p>Airtech 110002</p> <p>CF Gomma 1S 285-24 92574</p> <p>Contitech 644 N</p> <p>Dunlop UK PNP 301470101</p> <p>Firestone 1R1A 390-295 095 0118</p> <p>Goodyear 8017</p> <p>Phoenix 1E21</p> <p>Springride D11S01</p> <p>Taurus B 121</p>

DH = Drive Height

WABCO nb.	View	OEM number	Competition
Bellow 896 130 106 4		BPW 02.200.24.10.0 Dennis-Bus 650292/8 650883/4 MAN 22 320 FNL/LG. 81.43601.0033 / 36 / 37 / 65 / 67 Mercedes-Benz 360.328.0101 387.328.0001 387.328.0101 393.328.0101 Metro Cammel Weymann X6641056 Neoplan 1001 12 300 Volvo 1590136 1622115 1629193	Airtech 110122 CF Gomma 1SC 290-30 88802 Contitech 720 N Dunlop UK PNP 301000100 Firestone 1R2A 460-295 095 0195 Goodyear 9008 Phoenix 1F21 Springride D12S04 Taurus B 152

Bellow 896 130 110 4		Iris Bus (Iveco) 5010294385 Iveco 8188539 500 301 452 MAN 81.43601.0066/68/69/ 104/106/108/109/111 Mercedes-Benz A 658.328.0001 Pegaso (Iveco) 500301452 Renault V.I. 5 010 294 385	Airtech 110602 Contitech 884 N Firestone 1R1B 415 270 095 0295 Goodyear 9002 Phoenix 1F20a Springride D12S06 Taurus BL 249
--------------------------------	--	--	---

DH = Drive Height

WABCO nb.	View	OEM number	Competition
Bellow 896 130 111 4		Iveco 98478799 MAN 81.43601.0125 81.43601.0150 81.43601.00104/109/ 111/120	Airtech 110402 CF Gomma 1SC 270-28 97043 Contitech 1884 N1 Firestone 1R2A 445 280 095 0429 Goodyear 9003 Phoenix 1F20b Springride D12S07
Bellow 896 130 117 4		Drögmöller 440320200002-00 EvoBus 4.731.012.000 4.731.031.000 4.731.042.000 4.771.427.000 Iveco 249.8667 EC5067-04 474.6733 418.22247 931.97594 Kässbohrer 4.731.012.000 4.771.440.000 Magirus-Deutz 041822247 0249 8667 MAN 90.83112.0144 Neoplan 1001 10 100 1001 12 250 1021 00 200 AA10-01-001 Renault V.I. 5.001.829.866 5.010.073.846 Schmitz 750208 Van Hool 624319-690 Volvo 1137882 1137888	Airtech 110022 CF Gomma 1S 310-28 89726 Contitech 661 N Dunlop UK PNP 304980101 Firestone 1R1C 390-310 095 0021 Goodyear 8018 Phoenix 1E25 Springride D12S02Re Taurus B 114

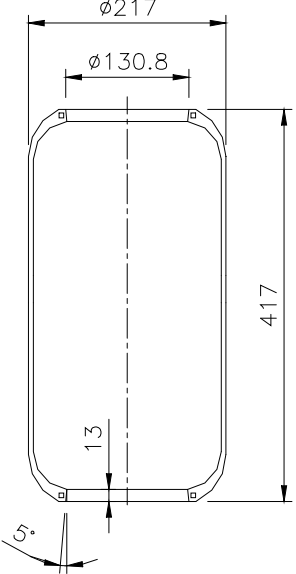
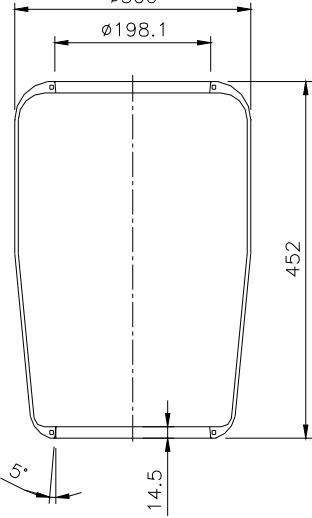
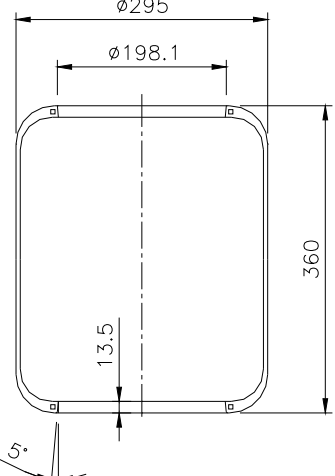
DH = Drive Height

WABCO nb.	View	OEM number	Competition
Bellow 896 130 118 4		Volvo 3027272	Airtech 110442 CF Gomma 1S 280-28 203001 Contitech RZ 415-28 Firestone 1R5P 410 290 095 0382 Goodyear 9005 Phoenix 2G20A Springride D12S09 Taurus B 272
Bellow 896 130 119 4		MAN 81.43601.0095 81.43601.0097 81.43601.0102 81.43601.0105 81.43601.0126	Airtech 110242 Contitech 916 N1 Goodyear 9015 Phoenix 1F21C-5 Taurus B 154 Springride D12S05 Taurus B 154
Bellow 896 130 120 4		Volvo 3027271	Airtech 110422 CF Gomma 1S 280-25 / 203000 Contitech RZ 415-25 Firestone 1R5P 345 290 095 0381 Goodyear 9004 Phoenix 2G20 Springride D12S08 Taurus B 271

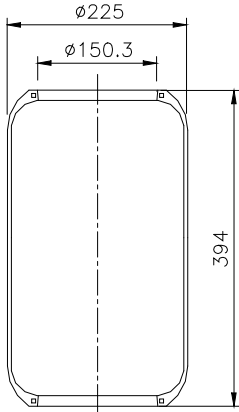
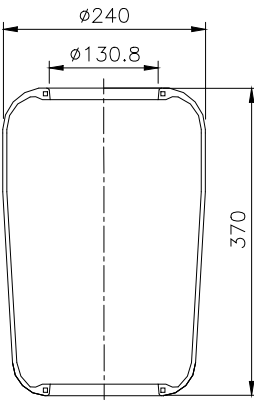
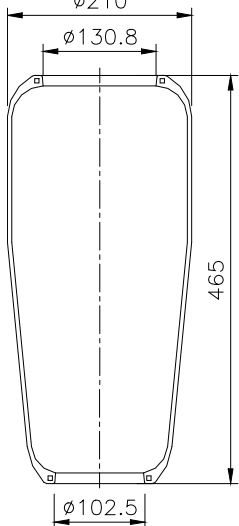
DH = Drive Height

WABCO nb.	View	OEM number	Competition
Bellow 896 130 121 4		Iveco 8188526	Airtech 111492 CF Gomma 1S 270-23 / 97619 Firestone 1R1B 390 270 095 0121 Goodyear 9009 Springride D11S04 Taurus B 113
Bellow 896 130 122 4		BPW 02.200.24.20.0 DAF 0644425 644425 EvoBus 4.731.013.000 Gigant 19 60 35 Kässbohrer-Setra (EvoBus) 4.731.013.000 MAN 81.43601.0049 81.43601.0052 Neoplan 1021 00 300 Van Hool 624319-460 624319-680	Airtech 110542 CF Gomma 1SC 360-30 US92594 Contitech 762 N Dunlop UK PNP 307800100 Firestone 1R2D 390-360 095 0190 Goodyear 9010 Phoenix 1F32 Springride D13S02 Taurus B 143
Bellow 896 130 123 4		MAN 81.43601.0071 81.43601.0072 81.43601.0110 81.43601.0128 Volvo 1082085	Airtech 110562 Contitech 883 N Firestone 1R4R 465 260 095 0435 Goodyear 9012 Phoenix 1F21-2 Springride D13S03

DH = Drive Height

WABCO nb.	View	OEM number	Competition
Bellow 896 130 124 4		Iveco 4716989 Menarini 178741 Renault V.I. 5 000 787 632 5 000 869 179 5 000 954 176	Airtech 110682 CF Gomma 1S 270-25 C 97608 Contitech 782 N Firestone 1R1A 415-285 095 0197 Springride D11S02 Taurus B 124
Bellow 896 130 125 4		BPW 2.200.24.20.0 DAF 0638148 Gigant 19 60 43 Kässbohrer (Kögel) 4.731.013.000 MAN 81.43601.0056/57/58/ 76/79/82/84/91/114/ 116/118 Mercedes-Benz 307.328.0101 Schmitz 750212 Van Hool 624319-640 Volvo 1134446	Airtech 110142 Contitech 727 N Dunlop UK PNP 306420100 Firestone 1R2D 460-360 095 0191 Goodyear 8117 Phoenix 1F32A Springride D13S04 Taurus B 149
Bellow 896 130 126 4		Ackermann-Frühauf 2680662000 BPW 02.200.24.60.0 DAF 0578361 MAN 81.43601.0018/51 Neoplan 1001 10 200 1001 12 251 AA10-01-002 Schmitz 750209 Van Hool 624319-610	Airtech 110042 Contitech 662 N Dunlop UK PNP 302730101 Firestone 1R1D355-355 095 207 Goodyear 9007 Phoenix 1E32 Springride D13S01 Taurus BL 143

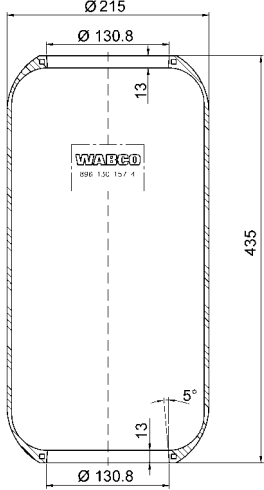
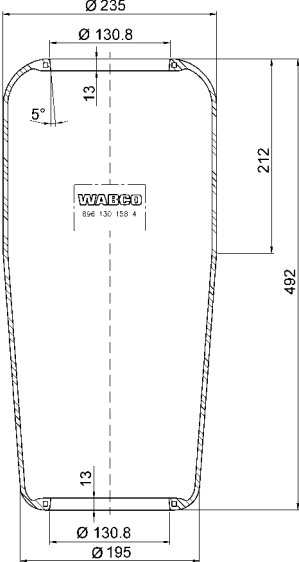
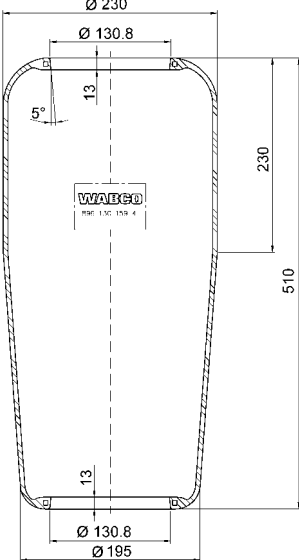
DH = Drive Height

WABCO nb.	View	OEM number	Competition
Bellow 896 130 145 4		EvoBus 356.327.0001 Iveco 93197594 Mercedes-Benz A 356 327 0001	Airtech 110462 CF Gomma 1S 300-27 / 203386 Contitech RZ 450-25 Goodyear 9050 Phoenix 1E23 Springride D12S13 Taurus BL 128
Bellow 896 130 146 4		DAF 0 627 584 Inbus 5001098 Iveco 4714025 Magirus-Deutz 02491566 Volvo 11611776	Airtech 110062 Contitech 673 N Goodyear 9051 Phoenix 1F21A Springride D11S06 Taurus B141
Bellow 896 130 153 4		MAN 81.43601.0065 81.43601.0067 81.43601.0070 81.43601.0092 81.43601.0100 81.43601.0103 81.43601.0121 81.43601.0132 Mercedes-Benz A 699 328 01 01	Airtech 110622 CF Gomma 1SC250-28 97042 Contitech 882 N Phoenix 1F16-2 Springride D12S12 Taurus B155

DH = Drive Height

WABCO nb.	View	OEM number	Competition
Bellow 896 130 154 4		EvoBus A 000 328 00 01	Airtech 110942 CF Gomma 1 S 285-23 Contitech 921 N Firestone 1R1A 415-260 W01 095 0226 Goodyear 8043 Phoenix 1 E 18 Taurus B 158
Bellow 896 130 155 4		Iris Bus (Iveco) 5000786640	Airtech 110742 Contitech 769 N Dunlop UK PNP 301470101 Firestone 1R1A 380-260 W01 095 0204 Goodyear 8053 Phoenix 1 E 18 Taurus B 156
Bellow 896 130 156 4		Bova B 510040	Airtech 110742 Contitech 701 N Firestone 1R3M 340-340 W01 095 0205 Goodyear 9006 Phoenix 1 E 26-1 Taurus B 116-1

DH = Drive Height

WABCO nb.	View	OEM number	Competition
Bellow 896 130 157 4		Iveco 4716989	Airtech 110362 CF Gomma 1 S 285-25 Contitech 945 N Dunlop UK PNP 301000101 Firestone 1R1A 460-290 W01 095 0063 Goodyear 9014 Phoenix 1 E 21-C Taurus K 152
Bellow 896 130 158 4		Volvo 6797169	Airtech 110502 Contitech 713 N
Bellow 896 130 159 4		MAN 81.43601.0127	Airtech 110662 Contitech 706 N1

DH = Drive Height

WABCO nb.	View	OEM number	Competition
Bellow 896 130 160 4		Mercedes-Benz A 655 327 00 01	Airtech 110862 Contitech 1720 N
Bellow 896 130 161 4		Volvo 1 075 290	Airtech 110842 Contitech 1421 N
Bellow 896 130 162 4		MAN 81.43601.0039	Airtech 110102 CF Gomma 1 SC 300-34 Contitech 756 N Firestone 1R2A 450-305 W01 095 0145 Phoenix 1 F 26 B-1 Taurus B 197

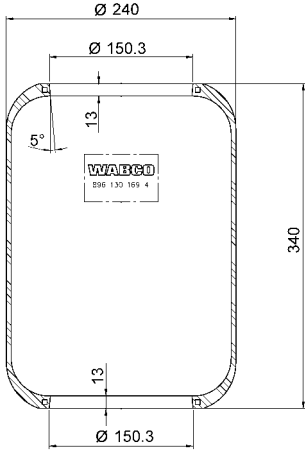
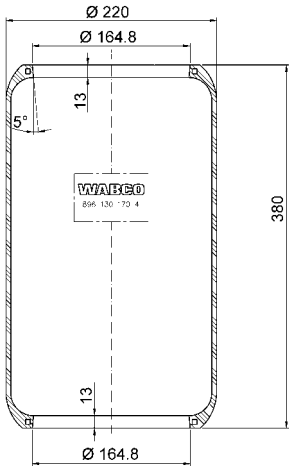
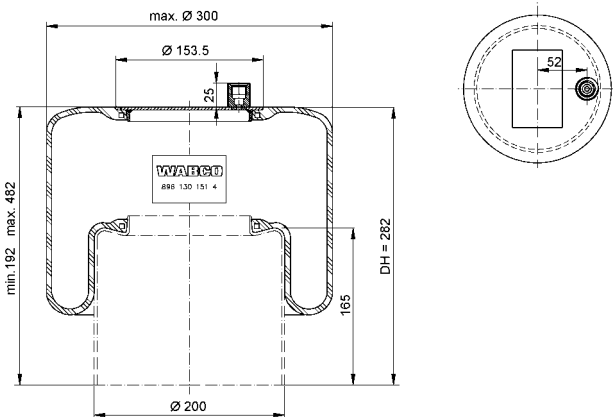
DH = Drive Height

WABCO nb.	View	OEM number	Competition
Bellow 896 130 163 4		Mercedes-Benz A 363 328 02 01	Airtech 110762 Contitech 838 N Phoenix 1 F 26 D
Bellow 896 130 164 4		Mercedes-Benz A 393 328 01 01	Airtech 110162 CF Gomma 1 S 320-23 Contitech 737 N Firestone 1R2A 480-330 W01 095 0211 Phoenix 1 F 26 Taurus B 127
Bellow 896 130 165 4		Mercedes-Benz A 318 328 00 01	Airtech 110182 Contitech 746 N

DH = Drive Height

WABCO nb.	View	OEM number	Competition
Bellow 896 130 166 4		Mercedes-Benz A 363.328.0201	Airtech 110582 Contitech 757 N Firestone 1R2A 380-305 W01 095 0212 Phoenix 1 F 26 C Taurus B 126
Bellow 896 130 167 4		Iris Bus (Iveco) 5000954175	Airtech 110922 Contitech 768 N Firestone 1R2A 380-330 W01 095 0213 Taurus B 125
Bellow 896 130 168 4		Sicca 4840005	Airtech 110342 CF Gomma 1 S 285-22 Contitech 944 N Firestone 1R1A 370-285 W01 095 0198 Goodyear 8012

DH = Drive Height

WABCO nb.	View	OEM number	Competition
Bellow 896 130 169 4		Renault V.I. 5000819517	Airtech 110702 CF Gomma 1 SC 310-16 Contitech 715 N Dunlop UK PNP 304890101 Firestone 1R1C 335-310 W01 095 0087 Goodyear 8015 Phoenix 1 F 25 Taurus B 144
Bellow 896 130 170 4		Renault V.I. 5000819370	Airtech 110302 Contitech 936 N Dunlop UK PNP 309070100
Bellow 896 130 171 4		Mercedes-Benz A 942 328 00 01	Airtech 121102 CF Gomma 1VSC 285 30 Contitech 4390 N1 Goodyear 9507

DH = Drive Height

WABCO nb.	View	OEM number	Competition
Bellow 896 130 172 4		Mercedes-Benz A 942 328 01 01	Airtech 120722 CF Gomma 1VSC 285 30 Contitech 4390 N2 Goodyear 9508
Air Spring 951 700 001 0		Volvo 20 582 215	Airtech 32902 Contitech 6608 N P01
Air Spring 951 700 002 0		Acerbi 128147123	Airtech 120442 CF Gomma 1 T 323-40 Contitech 4159 N P05 Firestone 1T 15 M-9 Goodyear 1R12-761

DH = Drive Height

WABCO nb.	View	OEM number	Competition
Air Spring complete 951 700 003 0		Mercedes-Benz A 942 320 01 17	Airtech 132982 CF Gomma 1VSC 300 26 Contitech 4757 N P01
Air Spring complete 951 700 004 0		Volvo 20 554 759	Airtech 131962 Contitech 4718 N
Air Spring complete 951 700 005 0		Scania 1314903 1402423 255295	Airtech 134762 Firestone 1 T 15 AA3 W01 M58 6251

DH = Drive Height

WABCO nb.	View	OEM number	Competition
Air Spring complete 951 700 006 0		Renault V.I. 5010211724	Airtech 130962 Contitech 902 MB Firestone 1 T19 G-12 W01 M58 9910
Air Spring complete 951 700 007 0		Volvo 20 582 214	Airtech 134302 Contitech 6607 N P01
Air Spring complete 951 700 008 0		Volvo 20 582 206	Airtech 135582 Contitech 6605 N P01

DH = Drive Height

WABCO nb.	View	OEM number	Competition
Twin concert in a bellow 951 809 201 0		Granning 1371	Airtech 140002 Contitech FC 200-19 Springride S09201
Air Spring complete 951 811 106 0 (composite piston) Bellow 896 130 108 4		Meritor (ROR) 21222442 Schmitz 751065	Airtech 133282 CF Gomma 1TC 300-38 205598 Contitech 4157 N P09 Firestone 1T15MP-7 M58 7074 Goodyear 1R11-106 Phoenix 1DK 21 A-31 Springride D12B17 Taurus KR 913-57
Air Spring complete 951 811 111 0 (composite piston) Bellow 896 130 108 4		Mercedes-Benz A 946.328.1401 Meritor (ROR) 21221307 Weweler US 07364 US 87 EURO F	Airtech 133302 Contitech 4157 N P04 Firestone 1T15MPW-7 M58 6297 Goodyear 1R11-111 Phoenix 1DK 21 A-4 Springride D12B18 Taurus KR 915-54

DH = Drive Height

WABCO nb.	View	OEM number	Competition
Air Spring 951 811 700 0 Bellow 896 130 101 4		BPW 05.429.40.03.0	Airtech 120262 CF Gomma 1TC 300-36 204466 Contitech 941 MB Firestone 1T17D-8.3 M58 8620 Goodyear 1R11-700 Phoenix 1DK21 Springride D11U30 Taurus UR 730-01T
Air Spring complete 951 811 702 0 Bellow 896 130 101 4		BPW 05.429.40.03.0 05.429.40.52.1 05.429.40.64.1 05.429.41.24.1 (Al. Rahmen)	Airtech 120262 CF Gomma 1TC 300-36 205170 Goodyear 1R11-702 Springride D11B38
Air Spring 951 811 703 0 Bellow 896 130 107 4		BPW 05.429.40.91.0	Airtech 120242 CF Gomma 1TC 300-30 205536 Contitech 940 MB Firestone 1T17D-4.3 M58 8613 Goodyear 1R11-703 Phoenix 1DK21K Springride D11U31 Taurus UR 732-01T

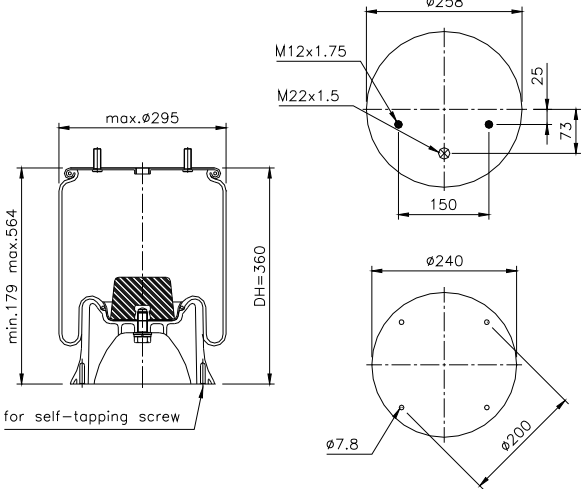
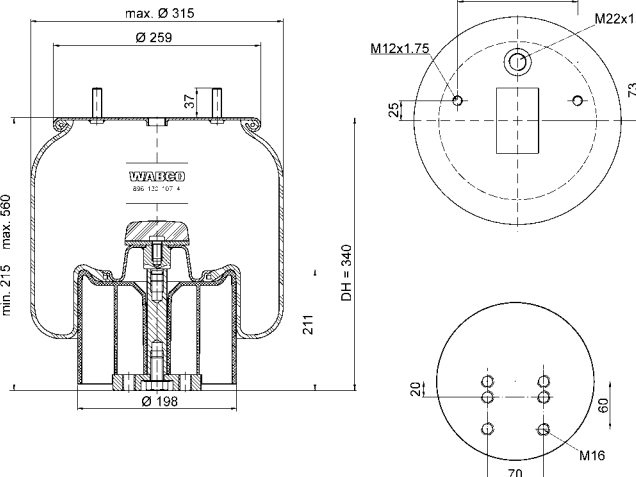
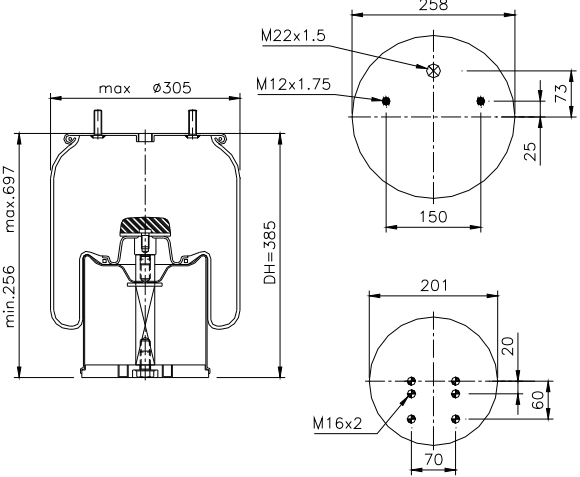
DH = Drive Height

WABCO nb.	View	OEM number	Competition
Air Spring 951 811 705 0 Bellow 896 130 109 4		SAF 3.229.0007.02 4.284.3003.01	Airtech 120302 Contitech 4004 N P02 Firestone 1T17BS-6 M58 0919 Goodyear 1R11-705 Springride D12U13 Taurus UR 725-27T
Air Spring complete 951 811 710 0 Bellow 896 130 109 4		SAF 3.229.0029.00	Airtech 130302 CF Gomma 1T 300-37 / 204677 Contitech 4022 N P03 (st) Firestone 1T17BS-6 M58 6367(S) Goodyear 1R11-710 Phoenix 1DK22E-9 Springride D12B26 Taurus KR 725-28
Air Spring complete 951 811 713 0 (composite piston) Bellow 896 130 109 4		SAF 3.229.0007.01 3.229.0007.02	Airtech 132782 CF Gomma 1T 300-37 / 203715 Contitech 4004 N P03 (comp) Firestone 1T17BS-6 M58 6367 Goodyear 1R11-713 Phoenix 1DK22E-8 Springride D12B13

DH = Drive Height

WABCO nb.	View	OEM number	Competition
<p>Air Spring complete 951 811 714 0 (composite piston)</p> <p>Bellow 896 130 109 4</p>		<p>SAF 3.229.0029.00</p>	<p>Airtech 132802 CF Gomma 1T300-37 / 206340 Contitech 4022 N P03 (comp) Firestone 1T17BS-6 M58 6367 Goodyear 1R11-714 Phoenix 1DK22E-9 Springride D12B14 Taurus KR 725-28</p>
<p>Air Spring complete 951 811 743 0 (composite piston)</p> <p>Bellow 896 130 101 4</p>		<p>BPW 05.429.40.03.0 05.429.43.20.0</p>	<p>Airtech 132222 CF Gomma 1 TC 300-36 Contitech 941 MB Firestone 1T 17D-8.3 W01 M58 8619 Goodyear 1R11-743 Phoenix 1 DK21</p>
<p>Air Spring complete 951 811 750 0 (composite piston)</p> <p>Bellow 896 130 147 4</p>		<p>SAF 2.229.0007.00 3.229.0007.01 3.229.0007.02</p>	<p>Airtech 130282 CF Gomma 1 T 300-37 Contitech 4004 N P03 Firestone 1T 17 BS-6 W01 M58 6366 Goodyear 1R11-713 Phoenix 1DK 22 E-5 Taurus K 505-27 SM</p>

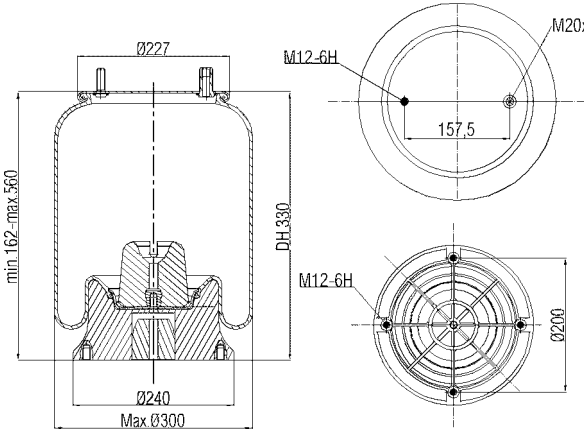
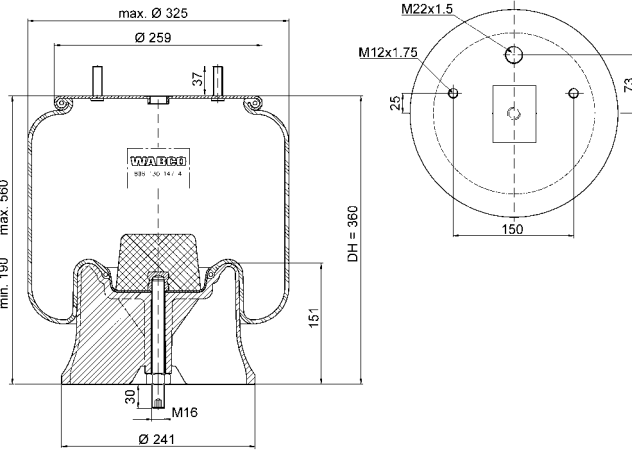
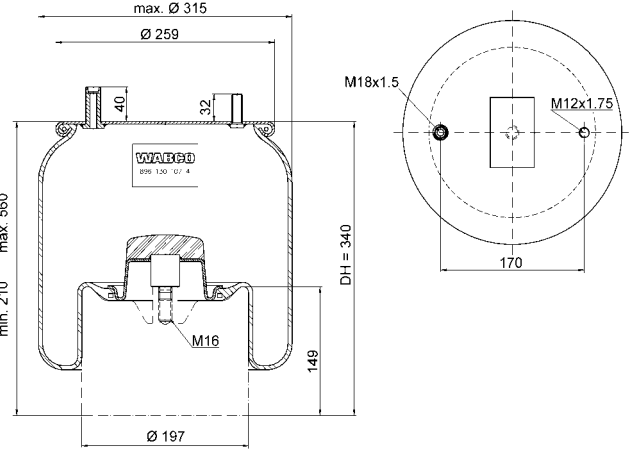
DH = Drive Height

WABCO nb.	View	OEM number	Competition
<p>Air Spring complete 951 811 751 0 (composite piston)</p> <p>Bellow 896 130 147 4</p>		<p>SAF 3.229.0029.00</p>	<p>Airtech 130302 CF Gomma 1 T 300-37 Contitech 4022 N P03 Firestone 1T 17 BS-6 W01 M58 6367 Goodyear 1R11-714 Taurus KR 725-28</p>
<p>Air Spring complete 951 811 752 0 (composite piston)</p> <p>Bellow 896 130 107 4</p>		<p>BPW 05.429.40.91.0 05.429.43.21.0</p>	<p>Airtech 130202 Contitech 940 MB Firestone 1 T17D-4.3 W01 M58 8613 Goodyear 1R11-752 Phoenix 1 DK 21K Taurus KR-732-01</p>
<p>Air Spring complete 951 811 762 0</p> <p>Bellow 896 130 101 4</p>		<p>BPW 05.429.40.10.1 05.429.40.28.1 05.429.40.36.1 05.429.40.52.1</p>	<p>CF Gomma 1T 300-36 / 205170 Firestone 1T17 D-8.3 / M58 8619 Goodyear 1R11-762 Springride D11B38</p>

DH = Drive Height

WABCO nb.	View	OEM number	Competition
<p>Air Spring complete 951 811 763 0 (composite piston)</p> <p>Bellow 896 130 107 4</p>		<p>BPW 05.429.40.91.0 05.429.41.14.1 05.429.41.23.1 05.429.41.27.1 05.429.41.53.1 05.429.42.19.1 05.429.43.21.0</p>	<p>Airtech 133362 Firestone 1T17D-4.3 M58 8609 Goodyear 1R11-763 Springride D11B39</p>
<p>Air Spring complete 951 811 764 0</p> <p>Bellow 896 130 108 4</p>		<p>Schmitz 016512 751065 Weweler US 06316</p>	<p>Airtech 133802 Contitech 4157 N P06 Firestone 1T15MPW-7 968 6316 Goodyear 1R11-764 Phoenix 1DK20A-1 Springride D11B37</p>
<p>Air Spring complete 951 811 772 0</p> <p>Bellow 896 130 108 4</p>		<p>Acerbi 441901 Frühauf M060924 UJB0975</p>	<p>Airtech 133322 Contitech 4157 N P10 Firestone 1T15MPW-7 M58 6315 Goodyear 1R11-772 Phoenix 1DK20A-51 Springride D12B29 Taurus KR 915-51</p>

DH = Drive Height

WABCO nb.	View	OEM number	Competition
<p>Air Spring complete 951 811 773 0 (composite piston)</p> <p>Bellow 896 130 108 4</p>		<p>Frühauf M078580</p> <p>Neway 90557233</p>	<p>Airtech 134262</p> <p>Contitech 4157 N P08</p> <p>Firestone 1T15MPW-7</p> <p>M58 6317</p> <p>Goodyear 1R11-773</p> <p>Phoenix 1DK20C-2</p> <p>Springride D12B30</p>
<p>Air Spring complete 951 811 781 0 (composite piston)</p> <p>Bellow 896 130 147 4</p>		<p>SAF 3.229.0033.00</p>	<p>Airtech 132922</p> <p>CF Gomma 1T300-37</p> <p>206585</p> <p>Contitech 4022 N P05</p> <p>Firestone 1T17 BS-6</p> <p>M58 8612</p> <p>Goodyear 1R11-781</p> <p>Springride D11B41</p>
<p>Air Spring 951 811 799 0</p> <p>Bellow 896 130 107 4</p>		<p>BPW 05.429.41.56.0</p>	<p>Airtech 120482</p> <p>Contitech 4940 N P02</p> <p>Goodyear 1R11-799</p> <p>Springride D11U42</p>

DH = Drive Height

WABCO nb.	View	OEM number	Competition
Air Spring 951 811 801 0 Bellow 896 130 107 4		BPW 05.429.41.77.0	Airtech 120742 Contitech 4960 N P02 Springride D11U44
Air Spring 951 811 802 0 Bellow 896 130 101 4		BPW 05.429.41.25.0	Airtech 120502 Contitech 4941 N P02 Goodyear 1R11-802 Springride D11U45
Air Spring complete 951 812 245 0 Bellow 896 130 180 4		General trailer M063796	Goodyear 2B12-2457

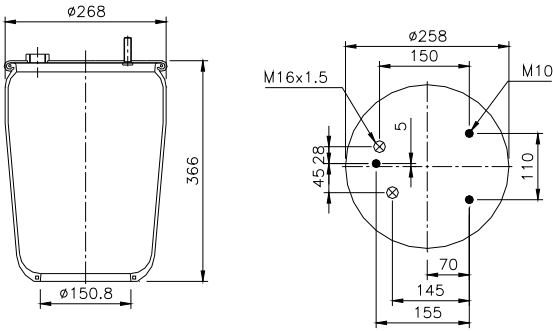
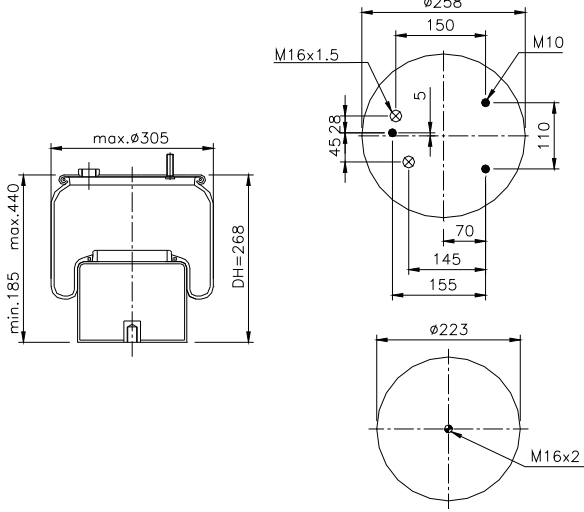
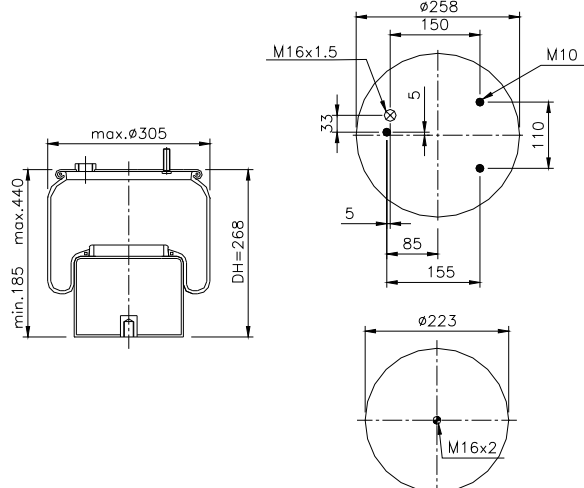
DH = Drive Height

WABCO nb.	View	OEM number	Competition
Twin concert in a bellow 951 812 305 0		Granning 1218	Firestone 22 358 7416 Goodyear 2B12-305
Twin concert in a bellow 951 812 425 0		SAF 2.229.1001.00	CF Gomma 22B Contitech FD 330-22 Firestone 22 358 7180 Goodyear 2B12-425 Phoenix SP2B22 Taurus KF 222-7180
Air Spring complete 951 812 701 0 Bellow 896 130 103 4		Samro 2500425	Airtech 130762 CF Gomma 1T 323-40 / 204124 Contitech 4159 N P06 Dunlop UK PNP 311370000 Firestone 1T15M-9 M58 7548 Goodyear 1R12-701 Phoenix 1DK21B-4 Springride D12B01 Taurus KR 509-22

DH = Drive Height

WABCO nb.	View	OEM number	Competition
Air Spring complete 951 812 702 0 Bellow 896 130 103 4		Frühauf 202302 1524873 M001782 UJB0203-001	Airtech 132042 CF Gomma 1T 323-40 / 202302 Contitech 4159 N P07 Firestone 1T15M-9 M58 8859 Goodyear 1R12-702 Phoenix 1DK21B-6 Springride D12B15 Taurus KR 509-25
Air Spring complete 951 812 703 0 Bellow 896 130 103 4		Cardi 58050900 Omar / Rolfo 11808 Zorzi 1006551	Airtech 131662 CF Gomma 1T323-40 / 96871 Firestone 1T15M-9 M58 6289 Goodyear 1R12-703 Springride D12B07
Air Spring complete 951 812 706 0 Bellow 896 130 136 4		Frühauf 1525267 M001472 Meritor (ROR) 2121 5761	Airtech 132162 Contitech 4156 N P09 Firestone 1T15M-6 / 379 9089 Springride D12B16

DH = Drive Height

WABCO nb.	View	OEM number	Competition
Air Spring 951 812 710 0		DAF / VDL Bus 0513982	Airtech 120182 Contitech 836 M2 Firestone 1T17AR-4.5 D08 0777 Goodyear 1R12-710 Phoenix 1DF25-3 Springride D13U31 Taurus UR 721-03T
Bellow 896 130 129 4			
Air Spring complete 951 812 711 0		DAF 0388167	Airtech 131062 Contitech 836 M2 K1 Firestone 1T17AR-4.5 M58 8721 Goodyear 1R12-711 Phoenix 1DF25-13 Springride D13B31 Taurus KR 721-03
Bellow 896 130 129 4			
Air Spring complete 951 812 712 0		DAF 0388165 1697678	Airtech 131022 Contitech 836 MK1 Firestone 1T17AR-4.5 D08 8722 Goodyear 1R12-712 Phoenix 1DF25-11 Springride D13B32 Taurus KR 721-06
Bellow 896 130 129 4			

DH = Drive Height

WABCO nb.	View	OEM number	Competition
Air Spring complete 951 812 719 0 Bellow 896 130 136 4		Frühauf UJB0207-001 Meritor (ROR) 21215761 21215762 21216135 Neway 905.57.075 Weweler US 35864F	Airtech 130382 Contitech 4156 N P06 Firestone 1T15M-6 / 358 9361 Goodyear 1R12-719 Phoenix 1DK21A-2 Springride D12B19 Taurus KR 506-28
Air Spring complete 951 812 721 0 (composite piston) Bellow 896 130 103 4		Cardi 58051210 Frühauf 1525199 Frühauf M001774 Samro 25324 Trouillet HT 18002 Viberti 128147123	Airtech 133382 CF Gomma 1T323-40 / 200751 Contitech 4159 N P09 Firestone 1T15M-9 / 379 9131 Goodyear 1R12-721 Phoenix 1DK21B-8 Springride D12B04
Air Spring complete (composite piston) 951 812 739 0 Bellow 896 130 173 4		Hendrickson QE 100001	Firestone 1T15MT-9 Goodyear 1R12-739

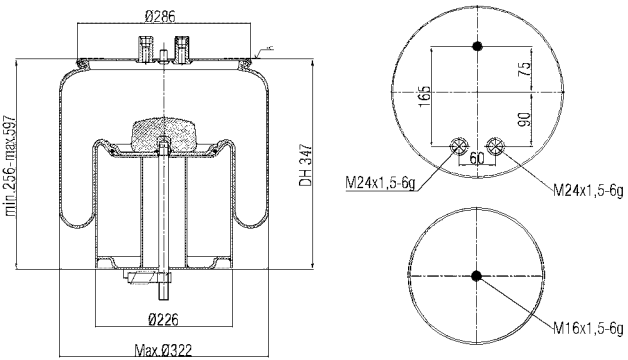
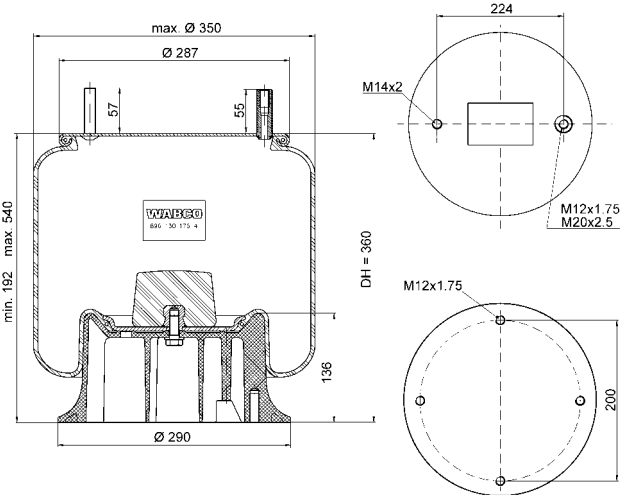
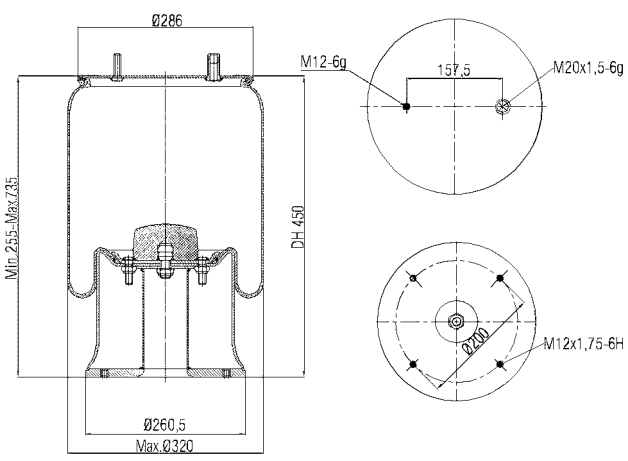
DH = Drive Height

WABCO nb.	View	OEM number	Competition
<p>Air Spring complete (composite piston) 951 812 740 0</p> <p>Bellow 896 130 173 4</p>		<p>Hendrickson QE 100002</p>	<p>Firestone 1T15MT-11 Goodyear 1R12-740</p>
<p>Air Spring complete 951 812 749 0</p> <p>Bellow 896 130 138 4</p>		<p>Schmitz 750 999 Weweler US 06285</p>	<p>Airtech 133782 Contitech 4158 N P03 Firestone 1T15MP-9 M58 6285 Goodyear 1R12-749 Phoenix 1DK 20B-1 Springride D12B22</p>
<p>Air Spring complete 951 812 762 0</p> <p>Bellow 896 130 148 4</p>		<p>Volvo 1076594</p>	<p>Airtech 131842 Contitech 4713 N P02 Goodyear 1R12-762 Springride D12B24</p>

DH = Drive Height

WABCO nb.	View	OEM number	Competition
Air Spring complete 951 812 771 0 Bellow 896 130 103 4		Samro 2500425	Airtech 133962 CF Gomma 1 T 323-40 Contitech 4159 N P06 Dunlop UK PNP311370000 Firestone 1T 15 M-9 W01 M58 7548 Goodyear 1R12-771 Phoenix 1 DK 21 B4 Taurus KR 509-22
Air Spring complete 951 813 150 0 Bellow 896 130 139 4		Hendrickson HS 251087 Mercedes-Benz 946 328 0401 Samro 2500915	Contitech 1T 17 B-11 Firestone 1T 17 B-11 W01 M58 8747 Goodyear 1R13-150
Air Spring complete 951 813 711 0 Bellow 896 130 149 4		Renault V.I. 5 010 294 307 C	Airtech 131202 Contitech 4912 N P07

DH = Drive Height

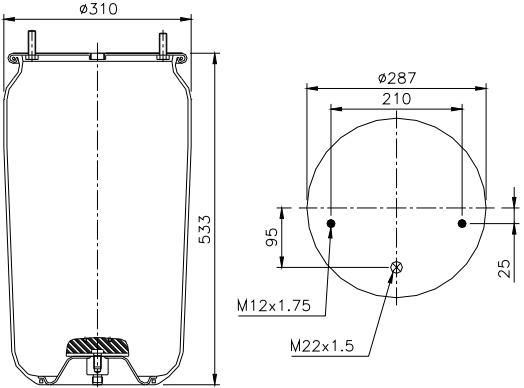
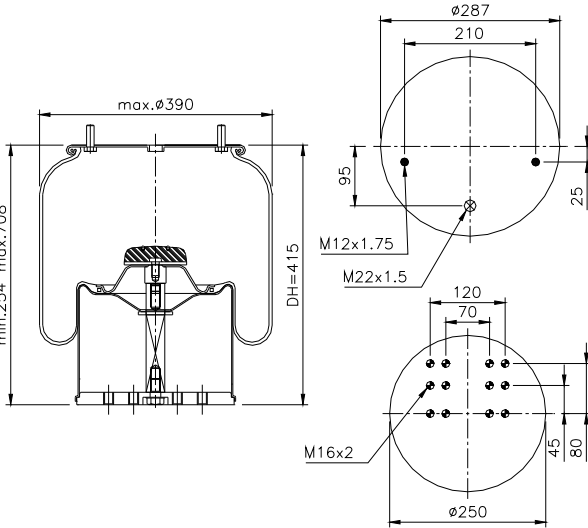
WABCO nb.	View	OEM number	Competition
Air Spring complete 951 813 714 0		Renault V.I. 5 010 294 308 C	Airtech 131182 Contitech 4911 N P03 Goodyear 1R13-714 Springride D13B46
Bellow 896 130 150 4			
Air Spring complete 951 813 726 0		Trouillet F01008696	Goodyear 1R13-726
Bellow 896 130 176 4			
Air Spring complete 951 813 732 0		Frühauf M001464 M060770	Airtech 131562 CF Gomma 1T19E-3 201840 Contitech 4912 N P05 Firestone 1T19L-14 M58 8762 Goodyear 1R13-732 Springride D13B04
Bellow 896 130 175 4			

DH = Drive Height

WABCO nb.	View	OEM number	Competition
Air Spring 951 814 700 0 Bellow 896 130 140 4		BPW 05.429.40.05.0	Airtech 120542 Contitech 942 MB Firestone 1T66D-13.5 M58 8611 Goodyear 1R14-700 Phoenix 1DK 32-1 Taurus UR 837-01
Air Spring 951 814 701 0 Bellow 896 130 130 4		BPW 05.429.41.01.0	Airtech 120462 CF Gomma 1TC 360-40 205537 Contitech 4881 N P02 Firestone 1T66D-7.0 M58 8601 Goodyear 1R14-701 Phoenix 1DK32K Springride D14U37 Taurus UR 838-01T
Air Spring 951 814 704 0 Bellow 896 130 131 4		Gigant 16 62 17 24 61 49 Granning 15 634	Airtech 120002 CF Gomma 1TCS 360-45 202964 Contitech 725 N P01 Firestone 1T66E-10.8 M58 7529 Goodyear 1R14-704 Springride D14U38 Taurus UR 836-11

DH = Drive Height

WABCO nb.	View	OEM number	Competition
Air Spring complete 951 814 705 0 Bellow 896 130 102 4		DAF 388491 1384274 Granning 15634 Hendrickson 505859 785170 Kässbohrer (Kögel) 4.731.030.000 4.731.033.000 Meritor (ROR) 21215633 Neway 22282 Renault V.I. 5 000 790 692 S.A.E. (Gigant) 8403/102 SAF 2.229.0003.00 3.228.0003.00 Samro 25004 Titan 91687700000 Trailer 65023482 0036158E 65022347Y Trouillet ST 225-675 Viberti 644285 128147122 Weweler US 87408F	Airtech 130102 CF Gomma 1T19 E-2 / 87408 Contitech 4813 N P06 (alu) Dunlop UK PNP311770000 Firestone 1T19L-11 M58 6364 Goodyear 1R14-705 Phoenix 1D28B-2 E2 Springride D13B02 Taurus KR622-26
Air Spring complete 951 814 706 0 Bellow 896 130 102 4		Bartoletti 916 19 011 Battaglino 22111401 Cardi 58050700 DAF 1384274 Omar 11804 Rolfo 112060 Viberti 128147102 Zorzi 1006553	Airtech 131142 CF Gomma 1T 19 E-2 / 93762 Contitech 810 MB 2st Firestone 1T19L-11 / M58 6361 Goodyear 1R14-706 Phoenix 1DK28-B-7 Springride D13B12 Taurus K 622-23
DH = Drive Height			

WABCO nb.	View	OEM number	Competition
Air Spring 951 814 708 0 Bellow 896 130 100 4		BPW 05.429.40.01.0	Airtech 120222 CF Gomma 1TC 360-45 / 204530 Contitech 881 MB Firestone 1T66E-10.8 / M58 8978 Goodyear 1R14-708 Phoenix 1DK 32 Springride D14U36 Taurus UR 836-01T
Air Spring complete 951 814 712 0 Bellow 896 130 100 4		BPW 05.429.04.07.1 05.429.40.01.0 05.429.40.14.1 05.429.40.24.1 05.429.40.39.1 05.429.40.47.1 05.429.40.50.1 05.429.40.61.1 05.429.41.21.1 05.429.41.36.1 05.429.41.42.1	Airtech 130522 CF Gomma 1TC360-45 / 205800 Firestone 1T66D-10.8 / M58 8966 Goodyear 1R14-712 Springride D14B36 Taurus KR 836-01/03/04

DH = Drive Height

WABCO nb.	View	OEM number	Competition
Air Spring complete 951 814 716 0		Bertoja 45402002	Airtech 130022
Bellow 896 130 104 4		Granning 15635	CF Gomma 1T 19 E-1 / 87413/1
		Hendrickson 506243	Contitech 4810 N P06
		785168	Dunlop UK PNP 311780000
		Meritor (ROR) 12108082	Firestone 1T19F-7 / M58 6345
		21208082	Goodyear 1R14-716
		21215632	Phoenix 1D28A-2 E1
		Neway 211586	Springride D13B01
		Renault V.I. 5 000 452 939	Taurus KR 621-26
		SAF 2.228.0002.00	
		2.229.0002.00	
		Samro 25008	
		2509999	
		Trailor 6504646 G	
		Trouillet HB 10315	
		Volvo 1080707	
		Weweler 21208082	
		US 00622	
		US 874131	

Air Spring complete 951 814 721 0		Battaglino 22111400	Goodyear 1R14-721
Bellow 896 130 177 4			

DH = Drive Height

WABCO nb.	View	OEM number	Competition
Air Spring complete 951 814 724 0 Bellow 896 130 130 4		BPW 05.429.41.01.0 05.429.41.31.1	Airtech 131862 Contitech 4881 MB Firestone 1T 66D-7.0 / W01 M58 8601 Goodyear 1R14-724 Phoenix 1 DK 32 K Springride D14B37
Air Spring complete 951 814 727 0 Bellow 896 130 102 4		Scania 255293 255295 298568 325748 1107674 1314906	Airtech 130822 CF Gomma 1T 19 E-2 BR / 97764 Contitech 4813 N P07 Firestone 1T19F-11 / M58 7358 Goodyear 1R14-727 Phoenix 1D28B-9 Springride D13B10 Taurus KR 622-01
Air Spring complete 951 814 728 0 Bellow 896 130 141 4		Meritor (ROR) 2122 1349 SAF 3.229.0030.00	Airtech 132702 Contitech 912 N P01 Firestone 1T19L-14 / M58 8502 Goodyear 1R14-728 Springride D14B52

DH = Drive Height

WABCO nb.	View	OEM number	Competition
Air Spring complete 951 814 729 0 Bellow 896 130 102 4		SAF 3.229.0031.00	Airtech 130322 CF Gomma 1T 19 E-2 / 204676 Contitech 4023 N P03 Firestone 1T19L-11 / M58 6348 Goodyear 1R14-729 Springride D13B26 Taurus KR 622-18
Air Spring complete 951 814 730 0 Bellow 896 130 104 4		SAF 3.229.0027.00	Airtech 133422 Contitech 4810 N P05 Firestone 1T19L-7 / M58 6338 Goodyear 1R14-730 Phoenix 1D28A-12 Springride D13B25 Taurus KR 621-18
Air Spring complete 951 814 747 0 Bellow 896 130 131 4		Gigant 16 62 17 24 61 49	Airtech 130002 Contitech 725N P02 Firestone 1T66E-108 / M58 8969 Goodyear 1R14-747 Springride D14B40

DH = Drive Height

WABCO nb.	View	OEM number	Competition
<p>Air Spring complete 951 814 748 0 (composite piston)</p> <p>Bellow 896 130 131 4</p>		<p>BPW 05.429.40.01.0 05.429.43.51.0</p>	<p>Airtech 132202 CF Gomma 1TC360-45 / 206357 Contitech 881 MB Goodyear 1R14-748 Springride D14B41</p>
<p>Air Spring complete 951 814 753 0</p> <p>Bellow 896 130 142 4</p>		<p>Scania 1379392 1440294 1543691</p>	<p>Airtech 132122 CF Gomma 1T19E-93 / 206201 Contitech 4913 N P02 Firestone 1T19F-14 / 095 0366 Goodyear 1R14-753 Phoenix 1D28H-16 Springride D14B42</p>
<p>Air Spring complete 951 814 756 0</p> <p>Bellow 896 130 131 4</p>		<p>Gigant 166252</p>	<p>Airtech 130642 Contitech 725 N P03 Firestone 1T66D-10.8 / M58 8610 Goodyear 1R14-756 Springride D14B43</p>

DH = Drive Height

WABCO nb.	View	OEM number	Competition
<p>Air Spring complete 951 814 757 0 (composite piston)</p> <p>Bellow 896 130 140 4</p>		<p>BPW 05.429.43.41.0</p>	<p>Airtech 133342 Goodyear 1R14-757 Springride D14B44</p>
<p>Air Spring complete 951 814 781 0</p> <p>Bellow 896 130 140 4</p>		<p>BPW 05.429.41.71.1</p>	<p>Goodyear 1R14-781</p>
<p>Air Spring complete 951 814 782 0</p> <p>Bellow 896 130 178 4</p>		<p>Schmitz 015 323 Weweler US04028</p>	<p>Airtech 130342 Contitech 4028 N P02 Firestone 1T19L-12 / M58 8016 Goodyear 1R14-782 Phoenix 1D28F-1 Springride D14B47</p>

DH = Drive Height

WABCO nb.	View	OEM number	Competition
Air Spring complete 951 814 784 0 Bellow 896 130 178 4		Schmitz US04031	Goodyear 1R14-784
Air Spring complete 951 895 050 0 Bellow 896 130 151 4		Mercedes-Benz A 942 320 0121	Airtech 130982 Contitech 4390 N P01 Goodyear 9505 Springride D12T10
Air Spring complete 951 895 060 0 Bellow 896 130 151 4		Mercedes-Benz A 942 320 0221	Airtech 131002 Contitech 4390 N P02 Goodyear 9506 Springride D12T11

DH = Drive Height

WABCO nb.	View	OEM number	Competition
Air Spring complete 951 899 001 0		Frühauf M078246 Lohr A 060 30 622	Goodyear 2B12-2450 Springride SP2782 NB
Bellow 896 130 152 4			

Air Spring complete 951 899 002 0		Volvo 3116799	Goodyear 1S4-034
---	--	-------------------------	----------------------------

DH = Drive Height

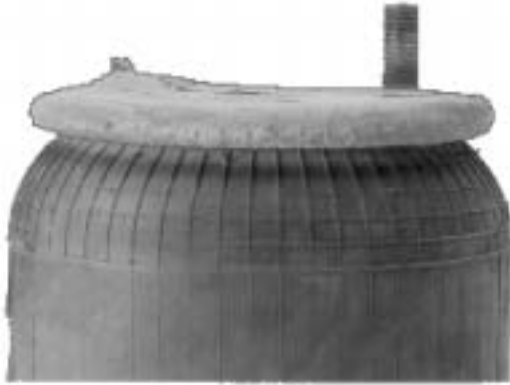
Over-Extension

Over-extension is a unlimited lowering of the axle, that forces the air spring to consistently operate beyond its maximum extended height. During traction of crane and shipping of a vehicle without limiting cables on axles this may be. During traction of crane and shipping of a vehicle without limiting cables on axles this may be.

The first sign of damage on an over-extended air spring is usually the bellow separating from the metal top plate or at the piston.

Air spring failures resulting from over-extension are most commonly seen on lift axle applications and particularly on trucks or tractors used in severe on/off road service such as construction, logging or quarrying.

On those types of vehicles, check to see if the shock absorbers are missing, need to be repaired or replaced. Although shock absorbers were not designed as axle travel limiting devices, they are often the only defense against over-extension.



Maintenance instructions:

Bring the air spring back into the proper operating zone by:

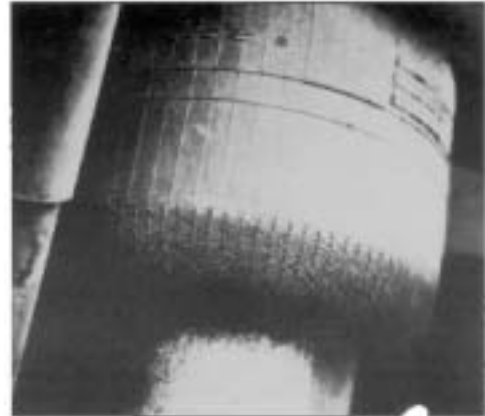
- Limit the axle movement,
- Check height control valve to see that it is functioning properly.
- Adjust the height control valve to proper ride height.
- Check the correct using of the bellows.

Normal Cycle Fatigue

Longitudinal fatigue cracks will appear in the outer surface of the rubber as part of the normal aging process. They are created by the constant up and down cycling to which the bellow is subjected.

Normal cycle fatigue - which when compared to the other causes cited, occurs the least often. If an air suspension system is

well-maintained, air springs will deliver long operating performance.



Damage from Chemicals

Chemicals, especially grease causes damages on rubber of the bellows. Especially when grease is over-zealously applied, the bellows may be damaged (holes into the rubber are possible).

Excessive grease applied to a universal joint can be slung off during rotation onto the air springs. Also excessive application of grease it can reach to a fifth wheel of the rear air springs.



Maintenance instructions:

- Continuously check air springs for its condition, excessive oil and water in the air supply.
- Check the seals.
- Avoid excessive greasing.
- Check for debris build up at the piston, girdle hoops, bead plate and clean them. Use soap and water - never a petroleum-based cleaner.

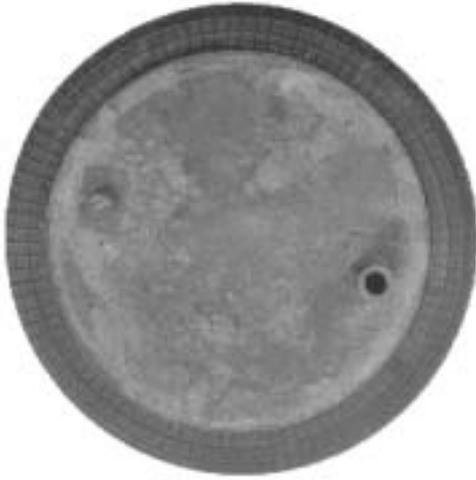
Corrosion and impacts from stones

As with any other metal part on a vehicle, the top plate of an air spring is subject to rust which ultimately will eat an hole into it.

Though pistons generally are made of corrosive-resistant aluminum or composite plastic material, they are subject to pitting from environmental effects (e.g. by salt).

The pitting eventually will wear a hole (or holes) into the rubber bellow as it slides over the piston in its normal course of operation.

Road debris also can be flung against the piston, causing it to crack.



and eventually rub a hole in the bellow as it moves over the abrasive material in normal operation.

Abrasion damage to an air spring may be caused by another worn or failed parts in the air suspension system. Worn bushings, for example, will throw an air spring out of its operating envelope.

A leak or pinch in the airline to the suspension system, eventually can cause under-inflation of the air spring. This can result in constant contact of the rubber bellow with an abrasive suspension part creating a hole over time.

This type of abrasive failure is more common in the rolling lobe style air spring. In over-the-road applications, abrasive wear will take place on empty trailers or tractors "bob tailing", since one axle support the vehicle weight as the other axle "airs out". When the air bellows are unevenly inflated, the under-inflated springs have a tendency to deform, instead of rolling uniformly over the piston.

Stroke movements without sufficient air in air springs can destroy the bellows. While conceptual design of vehicles with air springs an even load distribution must be ensured.



Abrasion

Abrasion of the rubber bellow - is caused by an object constantly rubbing on it, which lead to damages on the bellows. These damages can be caused in two ways: Contact with other components on the vehicle, or with foreign objects.

In the first instance, more often than not, an air line that feeds the suspension or braking system is the culprit, which scouring on the air suspension. This usually occurs more often on tractors rather than on trailers because of the multiple located lines in a more compact area.

Bellow abrasion also can be caused by simple road dirt and debris. Besides in winter there is a extra risk of bellow abrasion, when sand, gravel or salt is spread on roads. Those substances will accumulate around the piston bead plates of the air spring

Maintenance instruction:

- Make sure that the air-suspension bellows dont touch any other vehicle components during normal stroke movement.
- Check for proper air supply. The permissible operating pressure of the air spring must not be exceeded.
- Fasten the air lines and cables so that they don't touch the bellows during vibration.
- The pneumatic lines must not be kinked while the air springs are connected.