

Product Catalogue

Service Kits For Compressors

► **Note:**

This Catalogue covers the Rationalised Service Kits designed to be used on the range of Knorr-Bremse compressors manufactured in its Lisieux, France factory.

Details of Service Kits for other Knorr-Bremse compressors made in its other factories can be found on the Knorr-Bremse website:

www.Knorr-BremseSfN.com.



KNORR-BREMSE
Systems for Commercial Vehicles



DISCLAIMER

The information contained herein is intended for the exclusive use of trained persons within the commercial vehicle industry, and must not be passed on to any third party.

This information does not purport to be all-inclusive and no responsibility is assumed as a result of its use. We cannot accept any liability nor offer any guarantee regarding data accuracy, completeness or timeliness. The information does not represent any guarantee or ensured characteristics of the Products or Systems described.

No liability can be accepted based on the information, its use, recommendations or advice provided. In no event may we be held liable for any damage or loss except in the case of wilful intent or gross negligence on our part, or if any mandatory legal provisions apply.

Brand names mentioned in this information are not identified as such in all cases. We would emphasise however that they are nevertheless subject to the provisions of trademark legislation.

Any legal disputes arising from the use of this information shall be subject to German law.

Failure of any individual clause of this disclaimer to comply with current legal provisions does not affect the validity of the remaining clauses.

The information, either in part or whole, may not be copied, reproduced or transmitted in any form without the prior explicit permission of Knorr-Bremse Systems for Commercial Vehicles. Any contravention will be liable for damages and prosecution. The contents of this document are also protected under EU regulation 6/2002 and equivalent local legislation. All rights reserved.

This disclaimer is an English translation of a German text, which should be referred to for all legal purposes.

Service Kits for Compressors



Index

Section	Page
1. Introduction	1
2. Service Instructions	7
3. Service Kits for Compressors	13
3.1 Listed by Compressor Type Number	15
3.2 Listed by Compressor Part Number	19
4. Service Kit Contents	23

1. Introduction



Thanks to the standardisation of the kit content, the number of service kits for the new generation Knorr-Bremse Compressors has been reduced.

The content of each kit in this new range has been designed to ensure the efficiency and quality of any service work.







This quality can only be optimised by the use of genuine Knorr-Bremse components.

NOTES - this Catalogue covers the Rationalised Service Kits designed to be used on the range of Knorr-Bremse compressors manufactured in its Lisieux, France factory, as listed in the tables from pages 15 to 21. Details of Service Kits for other Knorr-Bremse compressors made in its other factories can be found on the Knorr-Bremse website - **www.Knorr-BremseSfN.com**.

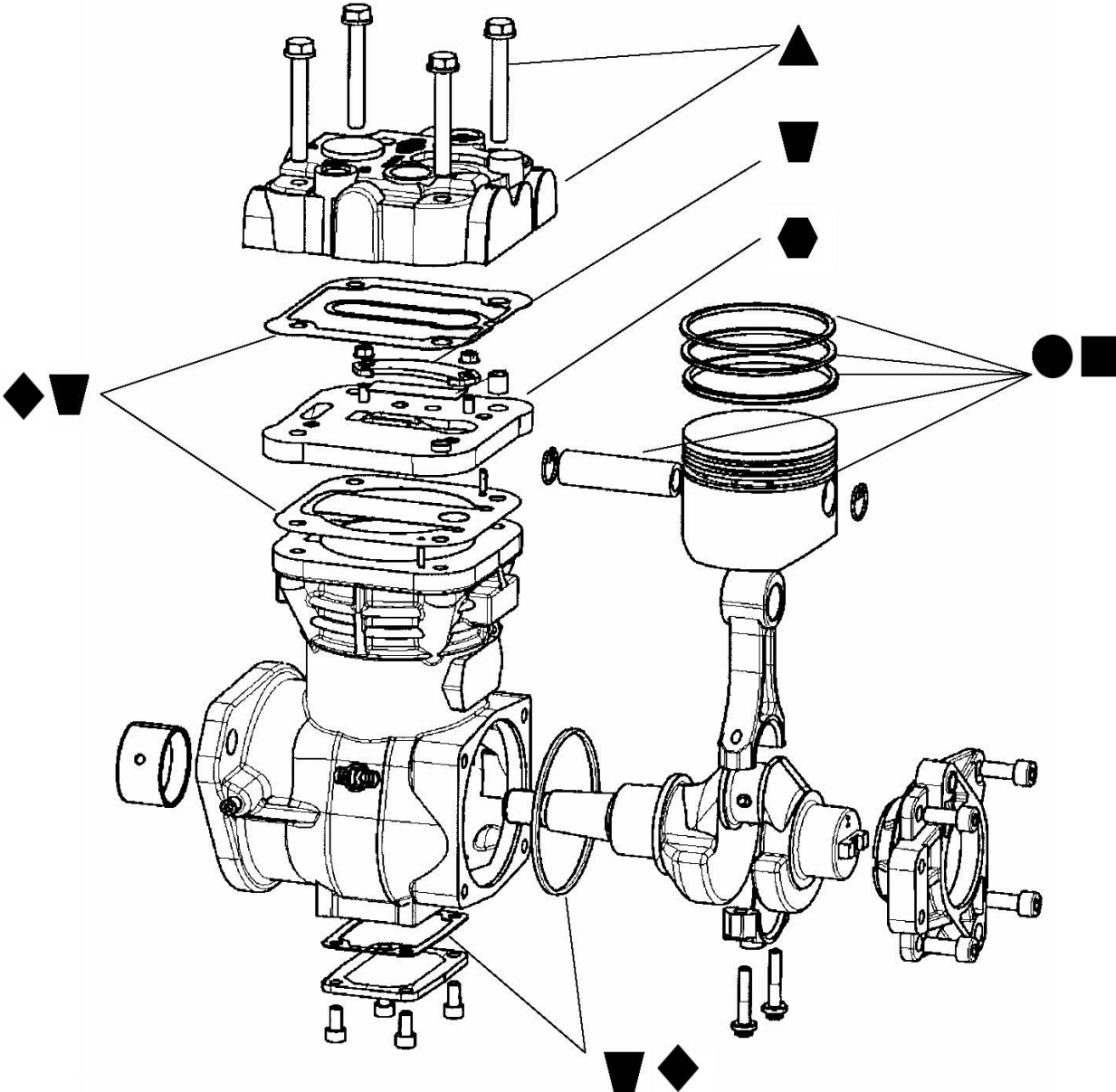
The compressors serviced by the Rationalised Service Kits are used in various European countries and the inclusion of a kit in this document does not necessarily imply its immediate availability in all countries.

1. Introduction

Legend for Diagram on page 3







<p><u>Piston Assembly (Standard)</u></p> <p>Piston Piston Rings Gudgeon Pin Circlips</p>	
<p><u>Piston Assembly (+0.5mm Oversize)</u></p> <p>Piston Piston Rings Gudgeon Pin Circlips</p>	
<p><u>Valve Plate</u></p> <p>Valve Plate complete</p>	
<p><u>Complete Kit</u></p> <p>Gaskets Inlet Reed Delivery Reed ESS components</p>	
<p><u>Cylinder Head</u></p> <p>Cylinder Head complete</p>	
<p><u>Gasket Kit</u></p> <p>Gaskets</p>	

Rationalised Service Kits - Single Cylinder Compressors



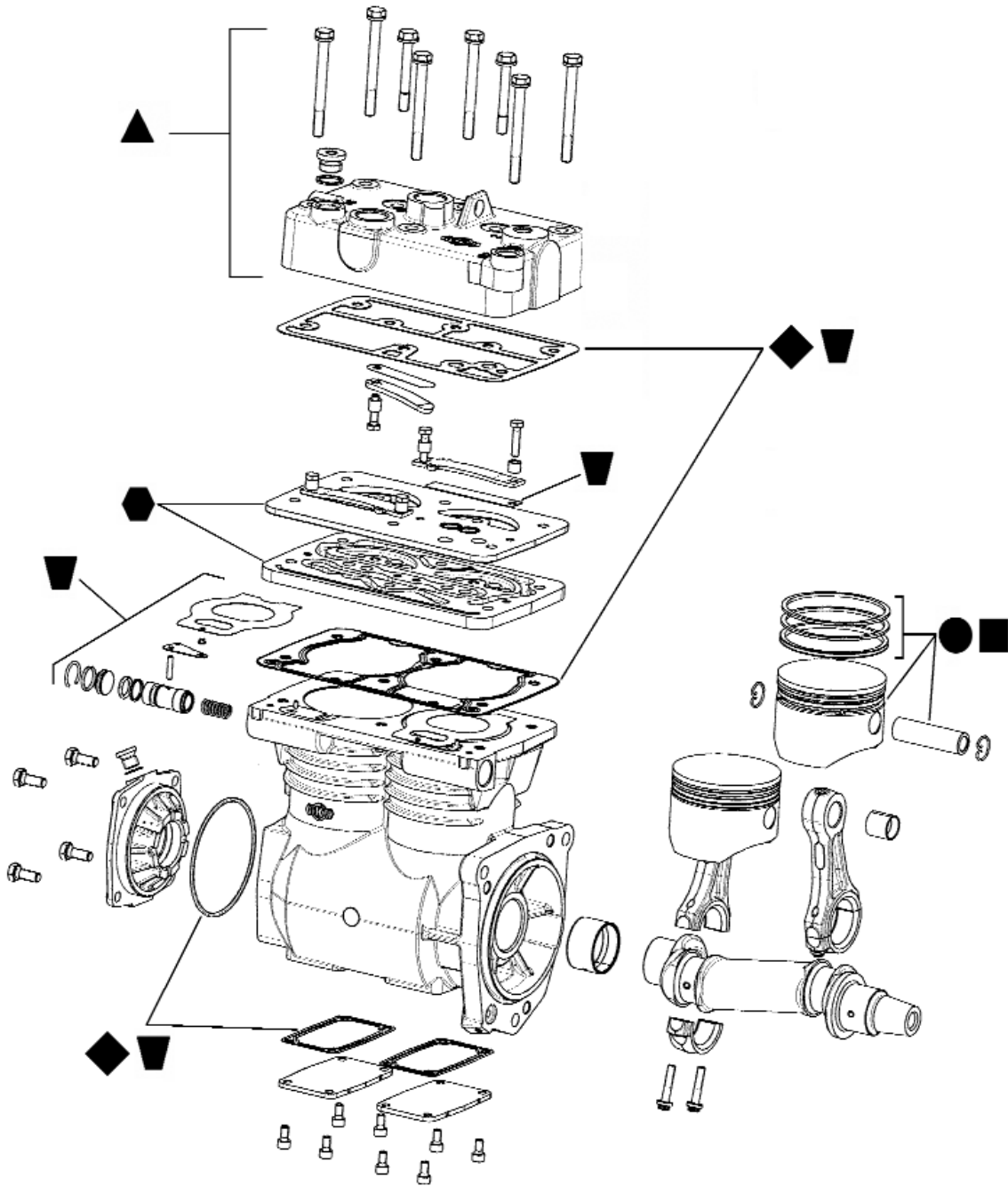
1. Introduction

Legend for Diagram on page 5

<p><u>Piston Assembly (Standard)</u> (See Note)</p> <p>Piston Piston Rings Gudgeon Pin Circlips</p>	
<p><u>Piston Assembly (+0.5mm Oversize)</u> (See Note)</p> <p>Piston Piston Rings Gudgeon Pin Circlips</p>	
<p><u>Valve Plate</u></p> <p>Valve Plate complete</p>	
<p><u>Complete Kit</u></p> <p>Gaskets Inlet Reed Delivery Reed ESS components</p>	
<p><u>Cylinder Head</u></p> <p>Cylinder Head complete</p>	
<p><u>Gasket Kit</u></p> <p>Gaskets</p>	

Note: The Kit contains 2 Piston Assemblies.

Rationalised Service Kits - Twin Cylinder Compressors





KNORR-BREMSE
Systems for Commercial Vehicles

www.knorr-bremse.com

www.knorr-bremsen.com



2. Service Instructions

1. General

For cleaning, a non-aggressive acid-free solvent with corrosion inhibitor must be used. For lubrication of components, use clean motor oil unless otherwise stated. These instructions are written for a single cylinder compressor. For twin cylinder compressors, references to components should be read as plural and actions should be duplicated as appropriate.

Note:

We draw your attention to the fact that, when a component is damaged during the dismantling and/or assembly phases, Knorr-Bremse shall accept no liability and shall reject any claim for warranty costs concerning the Compressor.

Any dismantling operation invalidates the compressor warranty.

2. Replacing a Cylinder Head or Head Gasket

Service Parts/Kits required: Cylinder Head complete, Gasket Kit.

When replacing a Cylinder Head, both the Cylinder Head-Valve Plate and Valve Plate-Crankcase Gaskets must always be replaced.

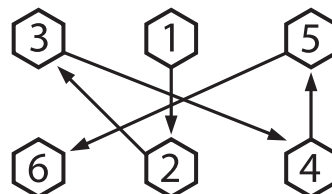
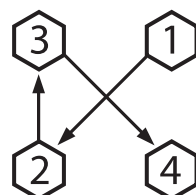
Replacing a Cylinder Head (as a single part or as a pre-assembled part in the case of an energy saving compressor) requires careful dismantling to overcome the adhesive force between the Cylinder Head Gasket and the mating surfaces.

If the Cylinder Head or Valve Plate is not being replaced, clean the gasket contact area without causing scratches that might cause leakage problems later.

Fit the new Cylinder Head Gasket and then the Cylinder Head.

Lubricate the Cylinder Head Bolts.

Insert the Cylinder Head Bolts and tighten them in two stages following the sequence shown on the diagrams below. Firstly, tighten them to a torque of 15 to 20 Nm. Repeat the sequence, tightening to a final torque of 30 to 33 Nm.



2. Service Instructions

3. Replacing a Valve Plate

Service Parts/Kits required: Valve Plate complete, Gasket Kit.

Replacing a Valve Plate requires the prior removal of the Cylinder Head assembly (with the Cooling Plate, if fitted), the Valve Plate-Cylinder Head Gasket (see Section 2) and, depending on the version, the Valve Plate-Crankcase Gasket or the combined Inlet Reed Valve/Gasket. Take care when overcoming the adhesive force between the Valve Plate Gasket and its mating surfaces

Carefully clean the top face of the Crankcase in order to remove any contamination or metallic burrs without causing scratches that might cause leakage problems later.

Clean the Piston Crown if the Piston is not being replaced.

Irrespective of their condition, the gaskets should be replaced.

Some models are equipped with a screw fixing the Valve Plate to the Crankcase and some with a screw fixing the Valve Plate to the Cylinder Head. In these cases, clean the screw carefully, lubricate the threaded area and tighten to a torque of 11.4 to 12.6 Nm.

Fit the new Valve Plate-Crankcase Gasket onto the Crankcase, then fit the Inlet Reed and any Spacer, taking care that it is correctly located and that the Inlet Reed is not trapped. Then fit the new Valve Plate and the Valve Plate-Cylinder Head Gasket.

Finally, re-fit the Cylinder Head (see Section 2).

4. Replacing a Piston

Service Parts/Kits required: Piston Assembly, Gasket Kit.

Replacing a Piston requires the disassembly of the Connecting Rod Cap in order to remove the Piston/Connecting Rod assembly. The Connecting Rod Cap is accessed through the Sump Plate opening (see Section 6) and before removing the cap it should be noted which way round it is fitted with respect to the Connecting Rod.

Remove the Cylinder Head (see Section 2) and Valve Plate (see Section 3). The Piston/Connecting Rod assembly can now be withdrawn through the top of the Crankcase.

Remove the Circlips holding the Gudgeon Pin in the Piston, then withdraw the Gudgeon Pin to separate the Piston from the Connecting Rod.

Lubricate the Gudgeon Pin, fit the Connecting Rod into the new Piston and insert the Gudgeon Pin.

Fit the Circlips retaining the Gudgeon Pin and make sure that they are correctly fitted into the

2. Service Instructions

grooves of the Piston. Fit the Piston Rings to the Piston, if not already fitted.

Clean the Crankcase bore taking care to remove any contamination or metallic burrs.

Lightly lubricate the Piston Skirt as well as the Piston Rings.

Position each Piston Ring so that its gap is approximately 120° from the gap in the adjacent ring. This is to ensure that the three gaps are not in alignment during re-assembly.

Locate the Piston carefully in the Crankcase bore without scoring the aluminium skirt.

When the Piston Skirt is located, compress the Piston Rings in their respective grooves using a Ring Compression Tool. Depending on the tool used, the Piston Rings may be compressed successively, in which case the Piston is fitted into the Crankcase bore in three successive steps, or the rings may be compressed all together in which case the complete Piston is fitted in one operation.

The fitting of the Piston into the bore requires some force to be applied and so there is a need to proceed cautiously as any impact on the lips of the Piston Rings could cause irreparable damage and seriously harm the compressor performance.

Lubricate the Crankshaft and Connecting Rod bearing surfaces and threads. Finally re-assemble the Connecting Rod Cap over the Crankshaft taking care to assemble the cap the right way round. The tightening torque of the Connecting Rod Bolts is 13 to 16 Nm.

Rotate the Crankshaft with the Connecting Rod/Piston assembly fitted to make sure that there are no tight spots.

Fit a new Sump Plate Gasket and assemble the Sump Plate (see Section 6).

Fit the Valve Plate-Crankcase Gasket and the Valve Plate. Fit new Valve Plate-Cylinder Head Gasket and Cylinder Head (see Sections 2 and 3).

Note: any scratch in the Crankcase bore or on one of the Piston Rings will lead to a noticeable increase in the oil carry-over of the compressor

5. Replacing the Rear Bearing Cover Seal

Service Parts/Kits required: Gasket Kit.

Note - on a compressor with SAE through-drive it is not possible to remove the Bearing Cover from the Crankshaft. In this case the Connecting Rod has to be detached from the Crankshaft and the Crankshaft and Bearing Cover removed together.

After removal and cleaning of the Bearing Cover, make sure that there are no burrs or sharp edges, which might cut the Seal during assembly.

2. Service Instructions

Lubricate the seal groove in the Bearing Cover and fit the new Seal.

Lightly lubricate the spigot (Bearing Cover to Crankcase) and fit the Bearing Cover in position.

Lubricate the 4 screws and tighten crosswise in one single step to a torque of 22 to 24 Nm.

Make sure that the Crankshaft rotates freely and has finite but minimal clearance in the axial direction.

6. Replacing the Sump Plate Gasket:

Service Parts/Kits required: Gasket Kit

After removal of the Sump Plate and Gasket, carefully clean the mating faces of both the Crankcase and Sump Plate.

Place the new Gasket on the cleaned surface of the Sump Plate (for a metallic gasket, place the raised pre-formed side on the Sump Plate). Fit the Sump Plate and fasten crosswise the 4 screws in one step to a torque of 11 to 13 Nm.

7. Servicing the Energy Saving Systems (ESS):

Service Parts/Kits required: Complete Kit.

7.1. ESS in crankcase:

Remove the Cylinder Head (see Section 2), the Valve Plate (see Section 3) and the Inlet Reed plus the associated ESS components on the top face of the Crankcase. Remove the Dowel Pin from the ESS Piston. Clean the top face of the Crankcase and check that there are no burrs.

Check that the machined slot in the top face of the Crankcase is not damaged.

Remove the Plug/Cap holding the ESS Piston in the Crankcase and remove the Piston and Spring.

After lubricating the parts, reassemble the new Spring and new ESS Piston with Anti-extrusion Ring and O-ring in the Crankcase. Fit the Dowel Pin through the top face of the Crankcase into its hole in the ESS Piston.

Manually operate the Piston to make sure that it returns fully under the load of the Spring to the off-position (on-load condition).

Fit the ESS Bell Crank pressing it over the Dowel Pins and fit the Sliding Pin in the machined slot in the Crankcase.

2. Service Instructions

Position the Inlet Reed. It must be fitted within the profile of the new steel gasket. Make sure that the Inlet Reed is not jammed under the steel gasket.

After reassembly of these parts, manually operate the ESS Piston again to make sure that the Inlet Reed moves correctly without sticking and that the assembly returns fully to the off-position (on-load condition).

Depending on the version, fit the Plug/Cap in the ESS Piston bore in the Crankcase:

- Bored hole: refit the Cap with its O-ring into the bored hole and secure in place with the circular ring.
- Threaded hole: assemble the Plug with its flat gasket into the unused port and tighten to a torque of 50 to 55 Nm.

Assemble the new Valve Plate-Crankcase Gasket, Valve Plate, new Valve Plate-Cylinder Head Gasket and Cylinder Head (see Sections 2 and 3).

7.2. ESS in Cylinder Head

This work can be carried out without removing the Cylinder Head.

Remove the Cover and ESS Piston, clean the bore machined in the Cylinder Head. Check the surface condition of the bore.

Grease all of the components and the bore in the Cylinder Head. Fit new O-Ring on the ESS Piston and reassemble the Piston in the Cylinder Head. Position the new Cover Gasket and fit the Cover (the breather hole must not be blocked or covered). Finally, secure the Cover with both screws, tightening them to a torque of 5,5 to 8,5 Nm.



▶ **3. Service Kits for Compressors**





KNORR-BREMSE
Systems for Commercial Vehicles

www.knorr-bremse.com

www.knorr-bremsen.com

3.1 Service Kits for Compressors

(Listed by Compressor Type Number)



Compressor Type No.	Compressor Part No.	Piston Assembly Standard *	Piston Assembly Oversize*	Complete Kit	Gasket Kit	Cylinder Head	Valve Plate	Cooling Plate
	1013077000	SEB22537	SEB22538	SEB22535	SEB22536	SEB22579	10300004	
	1013078000	SEB22524	SEB22525	SEB22526	SEB22527		10300004	
	1013080000	SEB22524	SEB22525	SEB22526	SEB22527		10300004	
	1013081000	SEB22524	SEB22525	SEB22526	SEB22527		10300004	
	1013083000	SEB22524	SEB22525	SEB22526	SEB22527		10300004	
	1013084000	SEB22524	SEB22525	SEB22526	SEB22527		10300004	
	1013085000	SEB22524	SEB22525	SEB22526	SEB22527		10300004	
	1013099000	SEB22524	SEB22525	SEB22526	SEB22527	SEB22579	10300004	
	1013278000	SEB22524	SEB22525	SEB22526	SEB22527	SEB22579	10300004	
	1013281000	SEB22524	SEB22525	SEB22526	SEB22527		10300004	
	1013283000	SEB22524	SEB22525	SEB22526	SEB22527	SEB22579	10300004	
	1013284000	SEB22524	SEB22525	SEB22526	SEB22527		10300004	
	1013285000	SEB22524	SEB22525	SEB22526	SEB22527	SEB22579	10300004	
	1013378000	SEB22524	SEB22525	SEB22526	SEB22527	SEB22591	10300004	
	1013383000	SEB22524	SEB22525	SEB22526	SEB22527	SEB22591	10300004	
	1013387000	SEB22524	SEB22525	SEB22526	SEB22527	SEB22591	10300004	
	1013391000	SEB22533	SEB22534	SEB22535	SEB22536	SEB22591	10300004	
	1013393000	SEB22524	SEB22525	SEB22526	SEB22527	SEB22591	10300004	
	1013395000	SEB22533	SEB22534	SEB22535	SEB22536	SEB22591	10300004	
	1013397000	SEB22533	SEB22534	SEB22535	SEB22536	SEB22591	10300004	
	1013398000	SEB22524	SEB22525	SEB22526	SEB22527		10300004	
	1013491000	SEB22533	SEB22534	SEB22535	SEB22536	SEB22591	10300004	
	1194233	SEB22547	SEB22548	SEB22569	SEB22570	SEB22577	SEB01880004	
	1194275	SEB22547	SEB22548	SEB22569	SEB22570	SEB22577	SEB01880004	
	1194357	SEB22547	SEB22548	SEB22569	SEB22570	SEB22577	SEB01880004	
	1194410	SEB22547	SEB22548	SEB22549	SEB22550	SEB01851004	SEB01877004	
	1194415	SEB22547	SEB22548	SEB22549	SEB22550	SEB01851004	SEB01878004	
	1194421	SEB22547	SEB22548	SEB22571	SEB22550	SEB22578	SEB01879004	
	1194425	SEB22547	SEB22548	SEB22569	SEB22570	SEB22577	SEB01880004	
	1194430	SEB22547	SEB22548	SEB22569	SEB22570	SEB22590	SEB01880004	
	1194454	SEB22547	SEB22548	SEB22569	SEB22570	SEB22577	SEB01880004	
	1194455	SEB22547	SEB22548	SEB22569	SEB22570	SEB22577	SEB01880004	
	1194456	SEB22547	SEB22548	SEB22569	SEB22570	SEB22577	SEB01880004	
	1194458	SEB22547	SEB22548	SEB22569	SEB22570	SEB22577	SEB01880004	
	1194487	SEB22547	SEB22548	SEB22571	SEB22550	SEB22588	SEB01879004	
LK1554	SEB01149	SEB22514	SEB22515	SEB22516		II38602F004	SEB00460004	
LK1555	SEB01150	SEB22514	SEB22515	SEB22516		II38602F004	SEB00460004	
LK1567	SEB01686	SEB22514	SEB22515	SEB22516		II38602F004	SEB00460004	
LK3830	II36423	SEB22517		II364230051		SEB22589	Y004640004	
LK3833	SEB01586	SEB22517		SEB22519	SEB22518	SEB01592004	SEB01593004	
LK3834	SEB01597	SEB22517		SEB22519	SEB22518	SEB01763004	SEB01593004	
LK3835	SEB01599	SEB22517		SEB22519	SEB22518	SEB01763004	SEB01593004	
LK3836	SEB01601	SEB22517			SEB22518	SEB01760004	SEB01649004	
LK3837	SEB01602	SEB22517			SEB22518	SEB01760004	SEB01649004	
LK3838	SEB01603	SEB22517			SEB22518	SEB01760004	SEB01649004	
LK3839	K000853	SEB22517			SEB22518	SEB01629004	SEB01649004	
LK3839	SEB01604	SEB22517			SEB22518	SEB01629004	SEB01649004	
LK3840	SEB01605	SEB22517			SEB22518	SEB01682004	SEB01649004	
LK3840	SEB01689	SEB22517			SEB22518	SEB01682004	SEB01649004	
LK3840	SEB01819	SEB22517			SEB22518	SEB01682004	SEB01649004	
LK3841	SEB01606	SEB22517			SEB22518	SEB01745004	SEB01649004	
LK3843	SEB01618	SEB22517		SEB22519	SEB22518	SEB01592004	SEB01593004	
LK3845	II38683F	SEB22517			SEB22518	SEB01786004	SEB01649004	
LK3846	K000861	SEB22517			SEB22518	SEB01629004	SEB01649004	
LK3846	SEB01817	SEB22517			SEB22518	SEB01629004	SEB01649004	
LK3847	SEB01690	SEB22517		SEB22519	SEB22518	SEB01592004	SEB01593004	
LK3847	SEB01718	SEB22517		SEB22519	SEB22518	SEB01592004	SEB01593004	
LK3847	SEB01719	SEB22517		SEB22519	SEB22518	SEB01592004	SEB01593004	
LK3850	SEB01768	SEB22517			SEB22518	SEB01820004	SEB01649004	
LK3852	SEB01777	SEB22517			SEB22518	SEB01760004	SEB01649004	

* Kits for 2 Cylinder Compressors contain 2 Piston Assemblies.

3.1 Service Kits for Compressors

(Listed by Compressor Type Number)

Compressor Type No.	Compressor Part No.	Piston Assembly Standard *	Piston Assembly Oversize *	Complete Kit	Gasket Kit	Cylinder Head	Valve Plate	Cooling Plate
LK3853	SEB01759	SEB22517		SEB22519	SEB22518	SEB01592004	SEB01593004	
LK3854	SEB01816	SEB22517		SEB22519	SEB22518	SEB01763004	SEB01593004	
LK3855	SEB01805	SEB22517			SEB22518	SEB01745004	SEB01649004	
LK3857	SEB01813	SEB22517		SEB22519	SEB22518	SEB01814004	SEB01593004	
LK3859	K000854	SEB22517			SEB22518	SEB01760004	SEB01649004	
LK3859	SEB01841	SEB22517			SEB22518	SEB01760004	SEB01649004	
LK3867	K001728	SEB22517			SEB22518	SEB01760004	SEB01649004	
LK3976	K002580	SEB22530		SEB22532		SEB01891004	SEB01898004	
LK3994	SEB01580	SEB22530		SEB22532		SEB01697004	SEB01694004	SEB01728004
LK3994	SEB01842	SEB22530		SEB22532		SEB01697004	SEB01694004	SEB01728004
LK4918	K000230	SEB22555		SEB22556	SEB22557	SEB01551004	SEB01034004	
LK4918	K001267	SEB22555		SEB22556	SEB22557	SEB01551004	SEB01034004	
LK4919	K000231	SEB22555		SEB22556	SEB22557	SEB01551004	SEB01034004	
LK4919	K002029	SEB22555		SEB22556	SEB22557	SEB01551004	SEB01034004	
LK4920	K000232	SEB22555		SEB22556	SEB22557	SEB01549004	SEB01034004	
LK4921	K000233	SEB22555		SEB22556	SEB22557	SEB01551004	SEB01034004	
LK4921	K001268	SEB22555		SEB22556	SEB22557	SEB01551004	SEB01034004	
LK4922	K000234	SEB22555		SEB22558	SEB22559	SEB01551004	SEB01034004	
LK4922	K002030	SEB22555		SEB22558	SEB22559	SEB01551004	SEB01034004	
LK4927	II39523F	SEB22555		SEB22556	SEB22557	SEB01551004	SEB01034004	
LK4935	K000839	SEB22547			SEB22550	SEB22588	SEB01879004	
LK4935	K001207	SEB22547	SEB22548	SEB22549	SEB22550	SEB01873004	SEB01878004	
LK4935	K002123	SEB22547	SEB22548	SEB22549	SEB22550	SEB01873004	SEB01878004	
LK4936	K001126	SEB22547	SEB22548	SEB22549	SEB22550	SEB01851004	SEB01878004	
LK4937	K001127	SEB22547	SEB22548	SEB22571	SEB22550	SEB22578	SEB01879004	
LK4938	K001935	SEB01889004		SEB22560	SEB22561	SEB01888004	SEB01033004	
LK4941	K002072	SEB22555		SEB22560	SEB22561	SEB01895004	SEB01033004	
LK4952	K002120	SEB22547	SEB22548	SEB22571	SEB22550	SEB22588	SEB01879004	
LP1596	SEB00416	SEB22514	SEB22515	SEB22516		II38602F004	SEB00460004	
LP1598	SEB00564	SEB22514	SEB22515	SEB22516		II38602F004	SEB00460004	
LP1599	SEB00688	SEB22514	SEB22515	SEB22516		II38602F004	SEB00460004	
LP3832	SEB00348	SEB22520	SEB22521	SEB22522	SEB22523	I74405004	SEB00465004	
LP3833	SEB00354	SEB22520	SEB22521	SEB22522	SEB22523	I74405004	SEB00465004	
LP3843	SEB00356	SEB22520	SEB22521	SEB22522	SEB22523	I74405004	SEB00465004	
LP3852	SEB00650	SEB22520	SEB22521	SEB22522	SEB22523	I74405004	SEB00465004	
LP3857	SEB00796	SEB22520	SEB22521	SEB22522	SEB22523	I74405004	SEB00465004	
LP3860	SEB01151	SEB22520	SEB22521	SEB22522	SEB22523	I74405004	SEB00465004	
LP3861	SEB01152	SEB22520	SEB22521	SEB22522	SEB22523	I74405004	SEB00465004	
LP3970	SEB01751	SEB22530		SEB22593	SEB22479	SEB01750004	SEB22575	
LP3974	SEB01791	SEB22530		SEB015800052		SEB01894004	Y004552004	
LP3977	K000855	SEB22530		SEB22532		SEB01881004	SEB01694004	SEB01728004
LP3977	SEB01795	SEB22530		SEB22532		SEB01697004	SEB01694004	SEB01728004
LP4812	I86909	SEB22539	SEB22540	SEB22541	SEB22542	SEB00421004	I81015004	
LP4813	I90499	SEB22539	SEB22540	SEB22541	SEB22542	SEB00551004	I81015004	
LP4814	I97492	SEB22539	SEB22540	SEB22541	SEB22542	SEB22587	I81015004	
LP4815	I97493	SEB22539	SEB22540	SEB22541	SEB22542	SEB22587	I81015004	
LP4818	SEB00820	SEB22533	SEB22534	SEB22535	SEB22536	SEB22591	10300004	
LP4819	SEB00836	SEB22551	SEB22552	SEB22553	SEB22554	SEB22582	SEB01495004	
LP4819	SEB01441	SEB22551	SEB22552	SEB22553	SEB22554	SEB22582	SEB01511004	
LP4823	II15697	SEB22539	SEB22540	SEB22543	SEB22544	SEB01093004	SEB01000004	
LP4823	II34840	SEB22539	SEB22540	SEB22543	SEB22544	SEB01093004	SEB01000004	
LP4823	SEB01782	SEB22539	SEB22540	SEB22543	SEB22544	SEB01093004	SEB01000004	
LP4825	II15993	SEB22539	SEB22540	SEB22545	SEB22546	SEB01080004	SEB01081004	
LP4827	SEB01161	SEB22551	SEB22552	SEB22553	SEB22554	SEB22582	SEB01495004	
LP4827	SEB01452	SEB22551	SEB22552	SEB22553	SEB22554	SEB22582	SEB01495004	
LP4828	SEB01185	SEB22551	SEB22552	SEB22553	SEB22554	SEB22582	SEB01495004	
LP4828	SEB01463	SEB22551	SEB22552	SEB22553	SEB22554	SEB22582	SEB01495004	
LP4829	II18214	SEB22539	SEB22540	SEB22545	SEB22546	SEB01080004	SEB01081004	
LP4830	II18599	SEB22539	SEB22540	SEB22543	SEB22544	SEB01261004	SEB01000004	
LP4830	II34841	SEB22539	SEB22540	SEB22543	SEB22544	SEB01261004	SEB01000004	
LP4830	SEB01781	SEB22539	SEB22540	SEB22543	SEB22544	SEB01261004	SEB01000004	
LP4831	SEB01246	SEB22551	SEB22552	SEB22553	SEB22554	SEB22582	SEB01495004	
LP4831	SEB01474	SEB22551	SEB22552	SEB22553	SEB22554	SEB22582	SEB01495004	
LP4832	SEB01245	SEB22537	SEB22538	SEB22535	SEB22536	SEB22580	10300004	
LP4833	SEB01250	SEB22551	SEB22552	SEB22553	SEB22554	SEB22582	SEB01495004	
LP4833	SEB01485	SEB22551	SEB22552	SEB22553	SEB22554	SEB22582	SEB01495004	
LP4838	SEB01297	SEB22551	SEB22552	SEB22553	SEB22554	Obsolete	SEB01495004	
LP4838	SEB01496	SEB22551	SEB22552	SEB22553	SEB22554	Obsolete	SEB01495004	
LP4840	SEB01392	SEB22551	SEB22552	SEB22553	SEB22554	SEB22582	SEB01495004	
LP4840	SEB01472	SEB22551	SEB22552	SEB22553	SEB22554	SEB22582	SEB01511004	
LP4842	II30901	SEB22539	SEB22540	SEB22541	SEB22542	SEB01449	I81015004	
LP4843	SEB01430	SEB22551	SEB22552	SEB22553	SEB22554	SEB22584	SEB01511004	
LP4844	II32842	SEB22539	SEB22540	SEB22541	SEB22542	SEB22587	I81015004	
LP4845	SEB01455	SEB22551	SEB22552	SEB22553	SEB22554	SEB22583	SEB01511004	
LP4846	SEB01478	SEB22551	SEB22552	SEB22553	SEB22554	SEB22582	SEB01495004	
LP4846	SEB01527	SEB22551	SEB22552	SEB22553	SEB22554	SEB22585	SEB01511004	

* Kits for 2 Cylinder Compressors contain 2 Piston Assemblies.

3.1 Service Kits for Compressors

(Listed by Compressor Type Number)

Compressor Type No.	Compressor Part No.	Piston Assembly Standard *	Piston Assembly Oversize*	Complete Kit	Gasket Kit	Cylinder Head	Valve Plate	Cooling Plate
LP4848	SEB01479	SEB22551	SEB22552	SEB22553	SEB22554	SEB22582	SEB01495004	
LP4849	SEB01480	SEB22551	SEB22552	SEB22553	SEB22554	SEB22582	SEB01495004	
LP4850	II35564	SEB22539	SEB22540	SEB22543	SEB22544	SEB01515004	SEB01000004	
LP4851	SEB01545	SEB22551	SEB22552	SEB22553	SEB22554	SEB22583	SEB01511004	
LP4852	SEB01588	SEB22539	SEB22540	SEB22541	SEB22542	SEB22592	II81015004	
LP4853	SEB01619	SEB22551	SEB22552	SEB22553	SEB22554	SEB22583	SEB01511004	
LP4855	SEB01747	SEB22551	SEB22552	SEB22553	SEB22554	SEB22584	SEB01511004	
LP4857	K000821	SEB22547	SEB22548	SEB22549	SEB22550	SEB01851004	SEB01877004	
LP4857	K002140	SEB22547	SEB22548	SEB22549	SEB22550	SEB01851004	SEB01877004	
LP4858	K001095	SEB22547	SEB22548	SEB22569	SEB22570	SEB22576	SEB01880004	
LP4930	II15698	SEB22555		SEB22560	SEB22561	SEB01138004	SEB01033004	
LP4934	II15992	SEB22555		SEB22560	SEB22561	SEB01052004	SEB01033004	
LP4934	II30895	SEB22555		SEB22560	SEB22561	SEB01052004	SEB01033004	
LP4936	II16243	SEB22555		SEB22560	SEB22561	SEB01148004	SEB01033004	
LP4939	SEB01154	SEB22524	SEB22525	SEB22526	SEB22527	SEB22591	10300004	
LP4940	SEB01155	SEB22533	SEB22534	SEB22535	SEB22536	SEB22591	10300004	
LP4941	SEB01156	SEB22528	SEB22529	SEB22526	SEB22527	SEB22580	10300004	
LP4942	SEB01157	SEB22533	SEB22534	SEB22535	SEB22536	SEB22591	10300004	
LP4943	SEB01158	SEB22524	SEB22525	SEB22526	SEB22527	SEB22591	10300004	
LP4944	SEB01159	SEB22533	SEB22534	SEB22535	SEB22536	SEB22591	10300004	
LP4945	SEB01160	SEB22524	SEB22525	SEB22526	SEB22527	SEB22591	10300004	
LP4948	II19187	SEB22555		SEB22560	SEB22561	SEB01052004	SEB01033004	
LP4949	II19191	SEB22555		SEB22562	SEB22563	SEB01052004	SEB01033004	
LP4955	II31730	SEB22555		SEB22560	SEB22561	SEB01429004	SEB01033004	
LP4957	II17395	SEB22555		SEB22560	SEB22561	SEB01106004	SEB01033004	
LP4957	K002045	SEB22555		SEB22560	SEB22561	SEB01106004	SEB01033004	
LP4957	K002975	SEB22555		SEB22560	SEB22561	SEB01106004	SEB01033004	
LP4960	II30899	SEB22555		SEB22560	SEB22561	SEB01445004	SEB01033004	
LP4960	K000237	SEB22555		SEB22560	SEB22561	SEB01445004	SEB01033004	
LP4961	II30900	SEB22555		SEB22560	SEB22561	SEB01429004	SEB01033004	
LP4962	II31955	SEB22555		SEB22560	SEB22561	SEB01444004	SEB01033004	
LP4963	II32686	SEB22555		SEB22560	SEB22561	SEB01106004	SEB01033004	
LP4964	II32687	SEB22555		SEB22560	SEB22561	SEB01444004	SEB01033004	
LP4964	K002046	SEB22555		SEB22560	SEB22561	SEB01444004	SEB01033004	
LP4965	II32688	SEB22555		SEB22560	SEB22561	SEB01444004	SEB01033004	
LP4965	K002047	SEB22555		SEB22560	SEB22561	SEB01444004	SEB01033004	
LP4966	II32689	SEB22555		SEB22560	SEB22561	SEB01444004	SEB01033004	
LP4967	II33164	SEB22555		SEB22560	SEB22561	SEB01052004	SEB01033004	
LP4968	II33514	SEB22555		SEB22560	SEB22561	SEB01052004	SEB01033004	
LP4969	II34404	SEB22555		SEB22556	SEB22557	SEB01655004	SEB01034004	
LP4970	II34405	SEB22555		SEB22556	SEB22557	SEB01655004	SEB01034004	
LP4974	II37214	SEB22555		SEB22560	SEB22561	SEB01138004	SEB01033004	
LP4974	K000236	SEB22555		SEB22560	SEB22561	SEB01138004	SEB01033004	
LP4977	II37369	SEB22555		SEB22560	SEB22561	SEB01566004	SEB01033004	
LP4977	SEB01725	SEB22555		SEB22560	SEB22561	SEB01566004	SEB01033004	
LP4979	II37435	SEB22555		SEB22560	SEB22561	SEB01552004	SEB01033004	
LP4980	II37436	SEB22555		SEB22560	SEB22561	SEB01552004	SEB01033004	
LP4981	II37437	SEB22555		SEB22560	SEB22561	SEB01552004	SEB01033004	
LP4983	SEB01784	SEB22555		SEB22556	SEB22557	SEB01583004	SEB01034004	
LP4984	SEB01783	SEB22555		SEB22556	SEB22557	SEB01583004	SEB01034004	
LP4985	K000229	SEB22555		SEB22556	SEB22557	SEB01549004	SEB01034004	
LP4986	II37953	SEB22555		SEB22556	SEB22557	SEB01551004	SEB01034004	
LP4988	II37958	SEB22555		SEB22556	SEB22557	SEB01549004	SEB01034004	
LP4989	II38142F	SEB22555		SEB22556	SEB22557	SEB01551004	SEB01034004	
LP4990	II38145F	SEB22555		SEB22558	SEB22559	SEB01551004	SEB01034004	
LP4991	II38776F	SEB22555		SEB22556	SEB22557	SEB01549004	SEB01034004	
LP4992	II38777F	SEB22555		SEB22556	SEB22557	SEB01549004	SEB01034004	
LP4992	K000235	SEB22555		SEB22556	SEB22557	SEB01549004	SEB01034004	
LP4993	II38779F	SEB22555		SEB22556	SEB22557	SEB01551004	SEB01034004	
LP4995	II38844F	SEB22555		SEB22556	SEB22557	SEB01549004	SEB01034004	
LP4996	II38845F	SEB22555		SEB22556	SEB22557	SEB01551004	SEB01034004	
LP4997	II38846F	SEB22555		SEB22558	SEB22559	SEB01551004	SEB01034004	
LP4998	SEB01674	SEB22555		SEB22560	SEB22561	SEB01566004	SEB01033004	
LP4999	SEB01676	SEB22555		SEB22560	SEB22561	SEB01552004	SEB01033004	
LP4999	SEB01677	SEB22555		SEB22560	SEB22561	SEB01552004	SEB01033004	
LP4999	SEB01678	SEB22555		SEB22560	SEB22561	SEB01552004	SEB01033004	

* Kits for 2 Cylinder Compressors contain 2 Piston Assemblies.



3.2 Service Kits for Compressors

(Listed by Compressor Part Number)



Compressor Part No.	Compressor Type No.	Piston Assembly Standard *	Piston Assembly Oversize*	Complete Kit	Gasket Kit	Cylinder Head	Valve Plate	Cooling Plate
1194233		SEB22547	SEB22548	SEB22569	SEB22570	SEB22577	SEB01880004	
1194275		SEB22547	SEB22548	SEB22569	SEB22570	SEB22577	SEB01880004	
1194357		SEB22547	SEB22548	SEB22569	SEB22570	SEB22577	SEB01880004	
1194410		SEB22547	SEB22548	SEB22549	SEB22550	SEB01851004	SEB01877004	
1194415		SEB22547	SEB22548	SEB22549	SEB22550	SEB01851004	SEB01878004	
1194421		SEB22547	SEB22548	SEB22571	SEB22550	SEB22578	SEB01879004	
1194425		SEB22547	SEB22548	SEB22569	SEB22570	SEB22577	SEB01880004	
1194430		SEB22547	SEB22548	SEB22569	SEB22570	SEB22590	SEB01880004	
1194454		SEB22547	SEB22548	SEB22569	SEB22570	SEB22577	SEB01880004	
1194455		SEB22547	SEB22548	SEB22569	SEB22570	SEB22577	SEB01880004	
1194456		SEB22547	SEB22548	SEB22569	SEB22570	SEB22577	SEB01880004	
1194458		SEB22547	SEB22548	SEB22569	SEB22570	SEB22577	SEB01880004	
1194487		SEB22547	SEB22548	SEB22571	SEB22550	SEB22588	SEB01879004	
1013077000		SEB22537	SEB22538	SEB22535	SEB22536	SEB22579	10300004	
1013078000		SEB22524	SEB22525	SEB22526	SEB22527		10300004	
1013080000		SEB22524	SEB22525	SEB22526	SEB22527		10300004	
1013081000		SEB22524	SEB22525	SEB22526	SEB22527		10300004	
1013083000		SEB22524	SEB22525	SEB22526	SEB22527		10300004	
1013084000		SEB22524	SEB22525	SEB22526	SEB22527		10300004	
1013085000		SEB22524	SEB22525	SEB22526	SEB22527		10300004	
1013099000		SEB22524	SEB22525	SEB22526	SEB22527	SEB22579	10300004	
1013278000		SEB22524	SEB22525	SEB22526	SEB22527	SEB22579	10300004	
1013281000		SEB22524	SEB22525	SEB22526	SEB22527		10300004	
1013283000		SEB22524	SEB22525	SEB22526	SEB22527	SEB22579	10300004	
1013284000		SEB22524	SEB22525	SEB22526	SEB22527		10300004	
1013285000		SEB22524	SEB22525	SEB22526	SEB22527	SEB22579	10300004	
1013378000		SEB22524	SEB22525	SEB22526	SEB22527	SEB22591	10300004	
1013383000		SEB22524	SEB22525	SEB22526	SEB22527	SEB22591	10300004	
1013387000		SEB22524	SEB22525	SEB22526	SEB22527	SEB22591	10300004	
1013391000		SEB22533	SEB22534	SEB22535	SEB22536	SEB22591	10300004	
1013393000		SEB22524	SEB22525	SEB22526	SEB22527	SEB22591	10300004	
1013395000		SEB22533	SEB22534	SEB22535	SEB22536	SEB22591	10300004	
1013397000		SEB22533	SEB22534	SEB22535	SEB22536	SEB22591	10300004	
1013398000		SEB22524	SEB22525	SEB22526	SEB22527		10300004	
1013491000		SEB22533	SEB22534	SEB22535	SEB22536	SEB22591	10300004	
I86909	LP4812	SEB22539	SEB22540	SEB22541	SEB22542	SEB00421004	I81015004	
I90499	LP4813	SEB22539	SEB22540	SEB22541	SEB22542	SEB00551004	I81015004	
I97492	LP4814	SEB22539	SEB22540	SEB22541	SEB22542	SEB22587	I81015004	
I97493	LP4815	SEB22539	SEB22540	SEB22541	SEB22542	SEB22587	I81015004	
II15697	LP4823	SEB22539	SEB22540	SEB22543	SEB22544	SEB01093004	SEB01000004	
II15698	LP4930	SEB22555		SEB22560	SEB22561	SEB01138004	SEB01033004	
II15992	LP4934	SEB22555		SEB22560	SEB22561	SEB01052004	SEB01033004	
II15993	LP4825	SEB22539	SEB22540	SEB22545	SEB22546	SEB01080004	SEB01081004	
II16243	LP4936	SEB22555		SEB22560	SEB22561	SEB01148004	SEB01033004	
II17395	LP4957	SEB22555		SEB22560	SEB22561	SEB01106004	SEB01033004	
II18214	LP4829	SEB22539	SEB22540	SEB22545	SEB22546	SEB01080004	SEB01081004	
II18599	LP4830	SEB22539	SEB22540	SEB22543	SEB22544	SEB01261004	SEB01000004	
II19187	LP4948	SEB22555		SEB22560	SEB22561	SEB01052004	SEB01033004	
II19191	LP4949	SEB22555		SEB22562	SEB22563	SEB01052004	SEB01033004	
II30895	LP4934	SEB22555		SEB22560	SEB22561	SEB01052004	SEB01033004	
II30899	LP4960	SEB22555		SEB22560	SEB22561	SEB01445004	SEB01033004	
II30900	LP4961	SEB22555		SEB22560	SEB22561	SEB01429004	SEB01033004	
II30901	LP4842	SEB22539	SEB22540	SEB22541	SEB22542	SEB01449	I81015004	
II31730	LP4955	SEB22555		SEB22560	SEB22561	SEB01429004	SEB01033004	
II31955	LP4962	SEB22555		SEB22560	SEB22561	SEB01444004	SEB01033004	
II32686	LP4963	SEB22555		SEB22560	SEB22561	SEB01106004	SEB01033004	
II32687	LP4964	SEB22555		SEB22560	SEB22561	SEB01444004	SEB01033004	
II32688	LP4965	SEB22555		SEB22560	SEB22561	SEB01444004	SEB01033004	
II32689	LP4966	SEB22555		SEB22560	SEB22561	SEB01444004	SEB01033004	
II32842	LP4844	SEB22539	SEB22540	SEB22541	SEB22542	SEB22587	I81015004	

* Kits for 2 Cylinder Compressors contain 2 Piston Assemblies.

3.2 Service Kits for Compressors

(Listed by Compressor Part Number)

Compressor Part No.	Compressor Type No.	Piston Assembly Standard *	Piston Assembly Oversize *	Complete Kit	Gasket Kit	Cylinder Head	Valve Plate	Cooling Plate
II33164	LP4967	SEB22555		SEB22560	SEB22561	SEB01052004	SEB01033004	
II33514	LP4968	SEB22555		SEB22560	SEB22561	SEB01052004	SEB01033004	
II34404	LP4969	SEB22555		SEB22556	SEB22557	SEB01655004	SEB01034004	
II34405	LP4970	SEB22555		SEB22556	SEB22557	SEB01655004	SEB01034004	
II34840	LP4823	SEB22539	SEB22540	SEB22543	SEB22544	SEB01093004	SEB01000004	
II34841	LP4830	SEB22539	SEB22540	SEB22543	SEB22544	SEB01261004	SEB01000004	
II35564	LP4850	SEB22539	SEB22540	SEB22543	SEB22544	SEB01515004	SEB01000004	
II36423	LK3830	SEB22517		II364230051		SEB22589	Y004640004	
II37214	LP4974	SEB22555		SEB22560	SEB22561	SEB01138004	SEB01033004	
II37369	LP4977	SEB22555		SEB22560	SEB22561	SEB01566004	SEB01033004	
II37435	LP4979	SEB22555		SEB22560	SEB22561	SEB01552004	SEB01033004	
II37436	LP4980	SEB22555		SEB22560	SEB22561	SEB01552004	SEB01033004	
II37437	LP4981	SEB22555		SEB22560	SEB22561	SEB01552004	SEB01033004	
II37953	LP4986	SEB22555		SEB22556	SEB22557	SEB01551004	SEB01034004	
II37958	LP4988	SEB22555		SEB22556	SEB22557	SEB01549004	SEB01034004	
II38142F	LP4989	SEB22555		SEB22556	SEB22557	SEB01551004	SEB01034004	
II38145F	LP4990	SEB22555		SEB22558	SEB22559	SEB01551004	SEB01034004	
II38683F	LK3845	SEB22517			SEB22518	SEB01786004	SEB01649004	
II38776F	LP4991	SEB22555		SEB22556	SEB22557	SEB01549004	SEB01034004	
II38777F	LP4992	SEB22555		SEB22556	SEB22557	SEB01549004	SEB01034004	
II38779F	LP4993	SEB22555		SEB22556	SEB22557	SEB01551004	SEB01034004	
II38844F	LP4995	SEB22555		SEB22556	SEB22557	SEB01549004	SEB01034004	
II38845F	LP4996	SEB22555		SEB22556	SEB22557	SEB01551004	SEB01034004	
II38846F	LP4997	SEB22555		SEB22558	SEB22559	SEB01551004	SEB01034004	
II39523F	LK4927	SEB22555		SEB22556	SEB22557	SEB01551004	SEB01034004	
K000229	LP4985	SEB22555		SEB22556	SEB22557	SEB01549004	SEB01034004	
K000230	LK4918	SEB22555		SEB22556	SEB22557	SEB01551004	SEB01034004	
K000231	LK4919	SEB22555		SEB22556	SEB22557	SEB01551004	SEB01034004	
K000232	LK4920	SEB22555		SEB22556	SEB22557	SEB01549004	SEB01034004	
K000233	LK4921	SEB22555		SEB22556	SEB22557	SEB01551004	SEB01034004	
K000234	LK4922	SEB22555		SEB22558	SEB22559	SEB01551004	SEB01034004	
K000235	LP4992	SEB22555		SEB22556	SEB22557	SEB01549004	SEB01034004	
K000236	LP4974	SEB22555		SEB22560	SEB22561	SEB01138004	SEB01033004	
K000237	LP4960	SEB22555		SEB22560	SEB22561	SEB01445004	SEB01033004	
K000821	LP4857	SEB22547	SEB22548	SEB22549	SEB22550	SEB01851004	SEB01877004	
K000839	LK4935	SEB22547			SEB22550	SEB22588	SEB01879004	
K000853	LK3839	SEB22517			SEB22518	SEB01629004	SEB01649004	
K000854	LK3859	SEB22517			SEB22518	SEB01760004	SEB01649004	
K000855	LP3977	SEB22530		SEB22532		SEB01881004	SEB01694004	SEB01728004
K000861	LK3846	SEB22517			SEB22518	SEB01629004	SEB01649004	
K001095	LP4858	SEB22547	SEB22548	SEB22569	SEB22570	SEB22576	SEB01880004	
K001126	LK4936	SEB22547	SEB22548	SEB22549	SEB22550	SEB01851004	SEB01878004	
K001127	LK4937	SEB22547	SEB22548	SEB22571	SEB22550	SEB22578	SEB01879004	
K001207	LK4935	SEB22547	SEB22548	SEB22549	SEB22550	SEB01873004	SEB01878004	
K001267	LK4918	SEB22555		SEB22556	SEB22557	SEB01551004	SEB01034004	
K001268	LK4921	SEB22555		SEB22556	SEB22557	SEB01551004	SEB01034004	
K001728	LK3867	SEB22517			SEB22518	SEB01760004	SEB01649004	
K001935	LK4938	SEB01889004		SEB22560	SEB22561	SEB01888004	SEB01033004	
K002029	LK4919	SEB22555		SEB22556	SEB22557	SEB01551004	SEB01034004	
K002030	LK4922	SEB22555		SEB22558	SEB22559	SEB01551004	SEB01034004	
K002045	LP4957	SEB22555		SEB22560	SEB22561	SEB01106004	SEB01033004	
K002046	LP4964	SEB22555		SEB22560	SEB22561	SEB01444004	SEB01033004	
K002047	LP4965	SEB22555		SEB22560	SEB22561	SEB01444004	SEB01033004	
K002072	LK4941	SEB22555		SEB22560	SEB22561	SEB01895004	SEB01033004	
K002120	LK4952	SEB22547	SEB22548	SEB22571	SEB22550	SEB22588	SEB01879004	
K002123	LK4935	SEB22547	SEB22548	SEB22549	SEB22550	SEB01873004	SEB01878004	
K002140	LP4857	SEB22547	SEB22548	SEB22549	SEB22550	SEB01851004	SEB01877004	
K002580	LK3976	SEB22530		SEB22532		SEB01891004	SEB01898004	
K002975	LP4957	SEB22555		SEB22560	SEB22561	SEB01106004	SEB01033004	
SEB00348	LP3832	SEB22520	SEB22521	SEB22522	SEB22523	I74405004	SEB00465004	
SEB00354	LP3833	SEB22520	SEB22521	SEB22522	SEB22523	I74405004	SEB00465004	
SEB00356	LP3843	SEB22520	SEB22521	SEB22522	SEB22523	I74405004	SEB00465004	
SEB00416	LP1596	SEB22514	SEB22515	SEB22516		II38602F004	SEB00460004	
SEB00564	LP1598	SEB22514	SEB22515	SEB22516		II38602F004	SEB00460004	
SEB00650	LP3852	SEB22520	SEB22521	SEB22522	SEB22523	I74405004	SEB00465004	
SEB00688	LP1599	SEB22514	SEB22515	SEB22516		II38602F004	SEB00460004	
SEB00796	LP3857	SEB22520	SEB22521	SEB22522	SEB22523	I74405004	SEB00465004	
SEB00820	LP4818	SEB22533	SEB22534	SEB22535	SEB22536	SEB22591	10300004	
SEB00836	LP4819	SEB22551	SEB22552	SEB22553	SEB22554	SEB22582	SEB01495004	
SEB01149	LK1554	SEB22514	SEB22515	SEB22516		II38602F004	SEB00460004	
SEB01150	LK1555	SEB22514	SEB22515	SEB22516		II38602F004	SEB00460004	
SEB01151	LP3860	SEB22520	SEB22521	SEB22522	SEB22523	I74405004	SEB00465004	
SEB01152	LP3861	SEB22520	SEB22521	SEB22522	SEB22523	I74405004	SEB00465004	
SEB01154	LP4939	SEB22524	SEB22525	SEB22526	SEB22527	SEB22591	10300004	
SEB01155	LP4940	SEB22533	SEB22534	SEB22535	SEB22536	SEB22591	10300004	
SEB01156	LP4941	SEB22528	SEB22529	SEB22526	SEB22527	SEB22580	10300004	

* Kits for 2 Cylinder Compressors contain 2 Piston Assemblies.



KNORR-BREMSE
Systems for Commercial Vehicles

www.knorr-bremse.com

www.knorr-bremsefn.com

3.2 Service Kits for Compressors

(Listed by Compressor Part Number)

Compressor Part No.	Compressor Type No.	Piston Assembly Standard *	Piston Assembly Oversize*	Complete Kit	Gasket Kit	Cylinder Head	Valve Plate	Cooling Plate
SEB01157	LP4942	SEB22533	SEB22534	SEB22535	SEB22536	SEB22591	10300004	
SEB01158	LP4943	SEB22524	SEB22525	SEB22526	SEB22527	SEB22591	10300004	
SEB01159	LP4944	SEB22533	SEB22534	SEB22535	SEB22536	SEB22591	10300004	
SEB01160	LP4945	SEB22524	SEB22525	SEB22526	SEB22527	SEB22591	10300004	
SEB01161	LP4827	SEB22551	SEB22552	SEB22553	SEB22554	SEB22582	SEB01495004	
SEB01185	LP4828	SEB22551	SEB22552	SEB22553	SEB22554	SEB22582	SEB01495004	
SEB01245	LP4832	SEB22537	SEB22538	SEB22535	SEB22536	SEB22580	10300004	
SEB01246	LP4831	SEB22551	SEB22552	SEB22553	SEB22554	SEB22582	SEB01495004	
SEB01250	LP4833	SEB22551	SEB22552	SEB22553	SEB22554	SEB22582	SEB01495004	
SEB01297	LP4838	SEB22551	SEB22552	SEB22553	SEB22554	Obsolete	SEB01495004	
SEB01392	LP4840	SEB22551	SEB22552	SEB22553	SEB22554	SEB22582	SEB01495004	
SEB01430	LP4843	SEB22551	SEB22552	SEB22553	SEB22554	SEB22584	SEB01511004	
SEB01441	LP4819	SEB22551	SEB22552	SEB22553	SEB22554	SEB22582	SEB01511004	
SEB01452	LP4827	SEB22551	SEB22552	SEB22553	SEB22554	SEB22582	SEB01495004	
SEB01455	LP4845	SEB22551	SEB22552	SEB22553	SEB22554	SEB22583	SEB01511004	
SEB01463	LP4828	SEB22551	SEB22552	SEB22553	SEB22554	SEB22586	SEB01495004	
SEB01472	LP4840	SEB22551	SEB22552	SEB22553	SEB22554	SEB22583	SEB01511004	
SEB01474	LP4831	SEB22551	SEB22552	SEB22553	SEB22554	SEB22582	SEB01495004	
SEB01478	LP4846	SEB22551	SEB22552	SEB22553	SEB22554	SEB22582	SEB01495004	
SEB01479	LP4848	SEB22551	SEB22552	SEB22553	SEB22554	SEB22582	SEB01495004	
SEB01480	LP4849	SEB22551	SEB22552	SEB22553	SEB22554	SEB22582	SEB01495004	
SEB01485	LP4833	SEB22551	SEB22552	SEB22553	SEB22554	SEB22582	SEB01495004	
SEB01496	LP4838	SEB22551	SEB22552	SEB22553	SEB22554	Obsolete	SEB01495004	
SEB01527	LP4846	SEB22551	SEB22552	SEB22553	SEB22554	SEB22585	SEB01511004	
SEB01545	LP4851	SEB22551	SEB22552	SEB22553	SEB22554	SEB22583	SEB01511004	
SEB01580	LK3994	SEB22530		SEB22532		SEB01697004	SEB01694004	SEB01728004
SEB01586	LK3833	SEB22517		SEB22519	SEB22518	SEB01592004	SEB01593004	
SEB01588	LP4852	SEB22539	SEB22540	SEB22541	SEB22542	SEB22592	181015004	
SEB01597	LK3834	SEB22517		SEB22519	SEB22518	SEB01763004	SEB01593004	
SEB01599	LK3835	SEB22517		SEB22519	SEB22518	SEB01763004	SEB01593004	
SEB01601	LK3836	SEB22517			SEB22518	SEB01760004	SEB01649004	
SEB01602	LK3837	SEB22517			SEB22518	SEB01760004	SEB01649004	
SEB01603	LK3838	SEB22517			SEB22518	SEB01760004	SEB01649004	
SEB01604	LK3839	SEB22517			SEB22518	SEB01629004	SEB01649004	
SEB01605	LK3840	SEB22517			SEB22518	SEB01682004	SEB01649004	
SEB01606	LK3841	SEB22517			SEB22518	SEB01745004	SEB01649004	
SEB01618	LK3843	SEB22517		SEB22519	SEB22518	SEB01592004	SEB01593004	
SEB01619	LP4853	SEB22551	SEB22552	SEB22553	SEB22554	SEB22583	SEB01511004	
SEB01674	LP4998	SEB22555		SEB22560	SEB22561	SEB01566004	SEB01033004	
SEB01676	LP4999	SEB22555		SEB22560	SEB22561	SEB01552004	SEB01033004	
SEB01677	LP4999	SEB22555		SEB22560	SEB22561	SEB01552004	SEB01033004	
SEB01678	LP4999	SEB22555		SEB22560	SEB22561	SEB01552004	SEB01033004	
SEB01686	LK1567	SEB22514	SEB22515	SEB22516		1138602F004	SEB00460004	
SEB01689	LK3840	SEB22517			SEB22518	SEB01682004	SEB01649004	
SEB01690	LK3847	SEB22517		SEB22519	SEB22518	SEB01592004	SEB01593004	
SEB01718	LK3847	SEB22517		SEB22519	SEB22518	SEB01592004	SEB01593004	
SEB01719	LK3847	SEB22517		SEB22519	SEB22518	SEB01592004	SEB01593004	
SEB01725	LP4977	SEB22555		SEB22560	SEB22561	SEB01566004	SEB01033004	
SEB01747	LP4855	SEB22551	SEB22552	SEB22553	SEB22554	SEB22584	SEB01511004	
SEB01751	LP3970	SEB22530		SEB22593	SEB22479	SEB01750004	SEB22575	
SEB01759	LK3853	SEB22517		SEB22519	SEB22518	SEB01592004	SEB01593004	
SEB01768	LK3850	SEB22517			SEB22518	SEB01820004	SEB01649004	
SEB01777	LK3852	SEB22517			SEB22518	SEB01760004	SEB01649004	
SEB01781	LP4830	SEB22539	SEB22540	SEB22543	SEB22544	SEB01261004	SEB01000004	
SEB01782	LP4823	SEB22539	SEB22540	SEB22543	SEB22544	SEB01093004	SEB01000004	
SEB01783	LP4984	SEB22555		SEB22556	SEB22557	SEB01583004	SEB01034004	
SEB01784	LP4983	SEB22555		SEB22556	SEB22557	SEB01583004	SEB01034004	
SEB01791	LP3974	SEB22530		SEB015800052		SEB01894004	Y004552004	
SEB01795	LP3977	SEB22530		SEB22532		SEB01697004	SEB01694004	SEB01728004
SEB01805	LK3855	SEB22517			SEB22518	SEB01745004	SEB01649004	
SEB01813	LK3857	SEB22517		SEB22519	SEB22518	SEB01814004	SEB01593004	
SEB01816	LK3854	SEB22517		SEB22519	SEB22518	SEB01763004	SEB01593004	
SEB01817	LK3846	SEB22517			SEB22518	SEB01629004	SEB01649004	
SEB01819	LK3840	SEB22517			SEB22518	SEB01682004	SEB01649004	
SEB01841	LK3859	SEB22517			SEB22518	SEB01760004	SEB01649004	
SEB01842	LK3994	SEB22530		SEB22532		SEB01697004	SEB01694004	SEB01728004

* Kits for 2 Cylinder Compressors contain 2 Piston Assemblies.

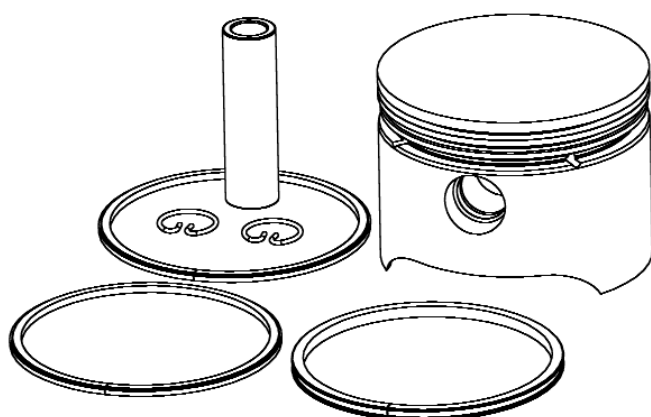


▶ 4. Service Kit Contents



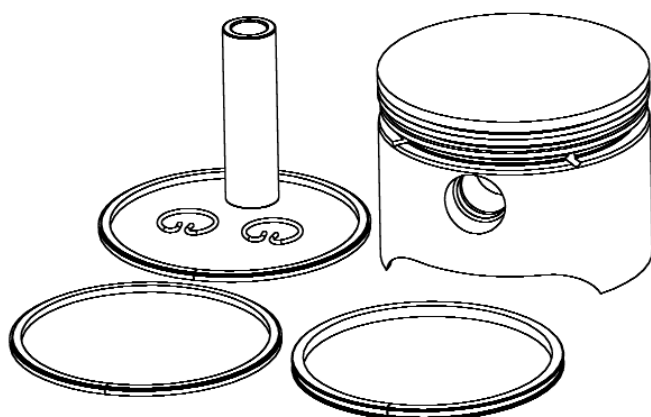
4. Service Kit Contents

Part No.	Service Kit	Suitable for Compressors:
SEB22514	Piston Assembly - Standard Piston 75mm	LK1554-SEB01149 LK1555-SEB01150 LK1567-SEB01686 LP1596-SEB00416 LP1598-SEB00564 LP1599-SEB00688



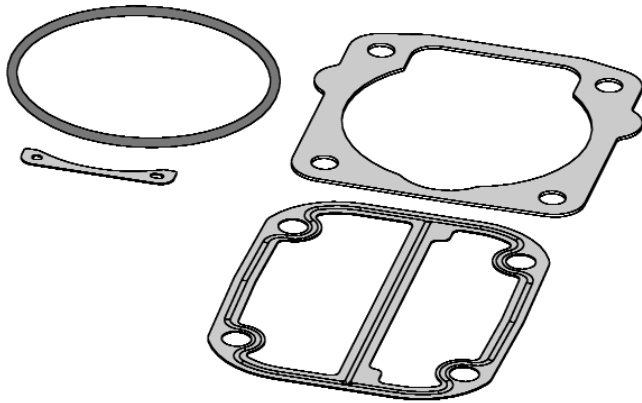
SEB22515	Piston Assembly - Oversize Piston 75.5mm
-----------------	---

LK1554-SEB01149
LK1555-SEB01150
LK1567-SEB01686
LP1596-SEB00416
LP1598-SEB00564
LP1599-SEB00688

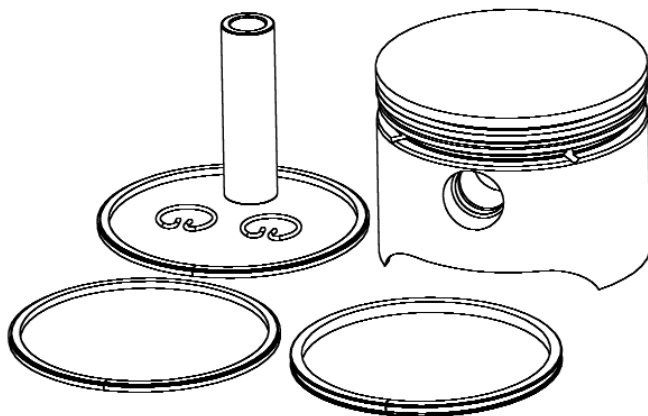


4. Service Kit Contents

Part No.	Service Kit	Suitable for Compressors:
SEB22516	Gasket Kit	LK1554-SEB01149 LK1555-SEB01150 LK1567-SEB01686 LP1596-SEB00416 LP1598-SEB00564 LP1599-SEB00688



SEB22517 **Piston Assembly- Standard Piston 80mm**



LK3833-SEB01586	LK3859-SEB01841
LK3834-SEB01597	LK3867-K001728
LK3835-SEB01599	
LK3836-SEB01601	
LK3837-SEB01602	
LK3838-SEB01603	
LK3839-K000853	
LK3839-SEB0604	
LK3840-SEB01605	
LK3840-SEB01819	
LK3841-SEB01606	
LK3843-SEB01618	
LK3845-II38683F	
LK3846-K000861	
LK3846-SEB01817	
LK3847-SEB01690	
LK3847-SEB0171	
LK3847-SEB01719	
LK3850-SEB0176	
LK3852-SEB01777	
LK3853-SEB0175	
LK3854-SEB01816	
LK3855-SEB01805	
LK3857-SEB01813	
LK3959-K000854	

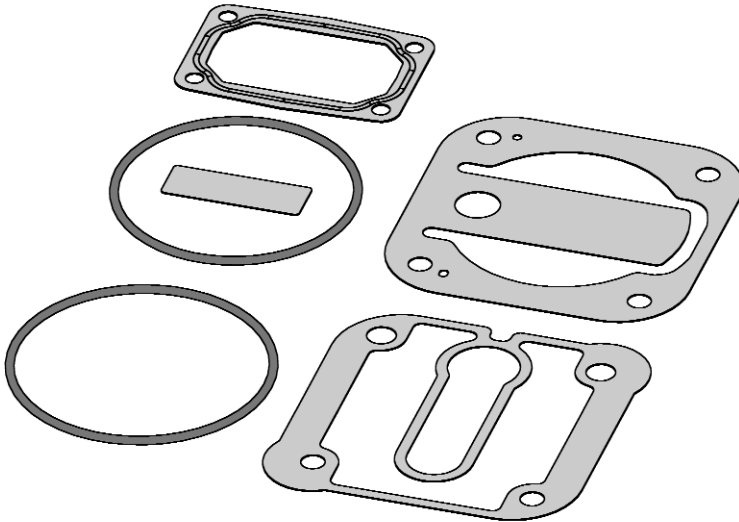
4. Service Kit Contents

Part No.	Service Kit	Suitable for Compressors:
----------	-------------	---------------------------

SEB22518

Gasket Kit

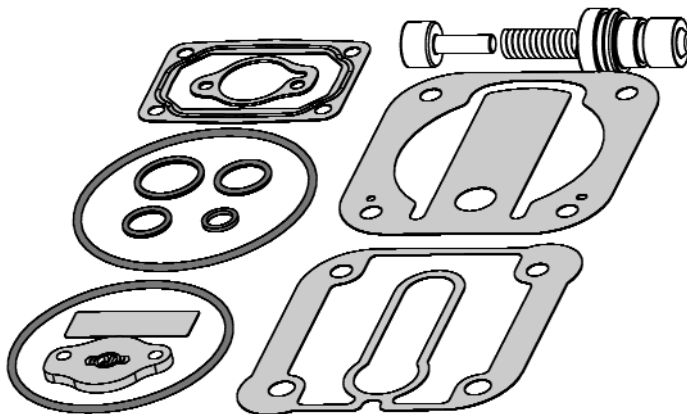
LK3833-SEB01586 LK3859-SEB01841
 LK3834-SEB01597 LK3867-K001728
 LK3835-SEB01599
 LK3836-SEB01601
 LK3837-SEB01602
 LK3838-SEB01603
 LK3839-K000853
 LK3839-SEB0604
 LK3840-SEB01605
 LK3840-SEB01819
 LK3841-SEB01606
 LK3843-SEB01618
 LK3845-II38683F
 LK3846-K000861
 LK3846-SEB01817
 LK3847-SEB01690
 LK3847-SEB01718
 LK3847-SEB0171
 LK3850-SEB01768
 LK3852-SEB01777
 LK3853-SEB01759
 LK3854-SEB01816
 LK3855-SEB01805
 LK3857-SEB01813
 LK3959-K000854



SEB22519

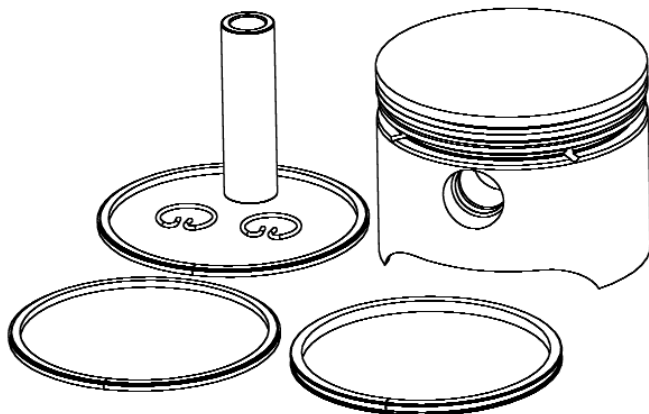
Complete Kit

LK3833-SEB01586
 LK3834-SEB01597
 LK3835-SEB01599
 LK3843-SEB01618
 LK3847-SEB01690
 LK3847-SEB01718
 LK3847-SEB01719
 LK3853-SEB01759
 LK3854-SEB01816
 LK3857-SEB01813



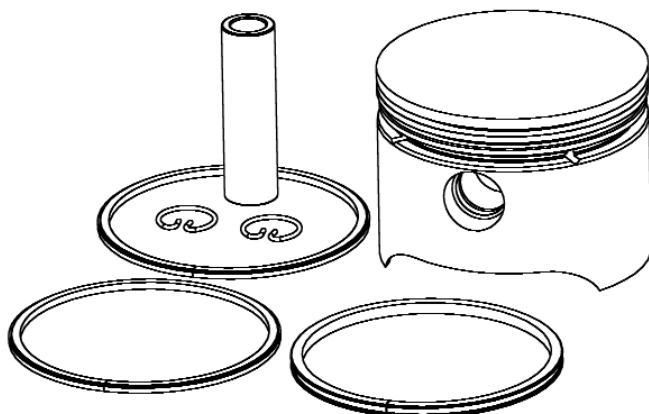
4. Service Kit Contents

Part No.	Service Kit	Suitable for Compressors:
SEB22520	Piston Assembly - Standard Piston 78mm	LP3832-SEB00348 LP3833-SEB00354 LP3843-SEB00356 LP3852-SEB00650 LP3857-SEB00796 LP3860-SEB01151 LP3861-SEB01152



SEB22521 **Piston Assembly - Oversize Piston 78.5mm**

LP3832-SEB00348
LP3833-SEB00354
LP3843-SEB00356
LP3852-SEB00650
LP3857-SEB00796
LP3860-SEB01151
LP3861-SEB01152



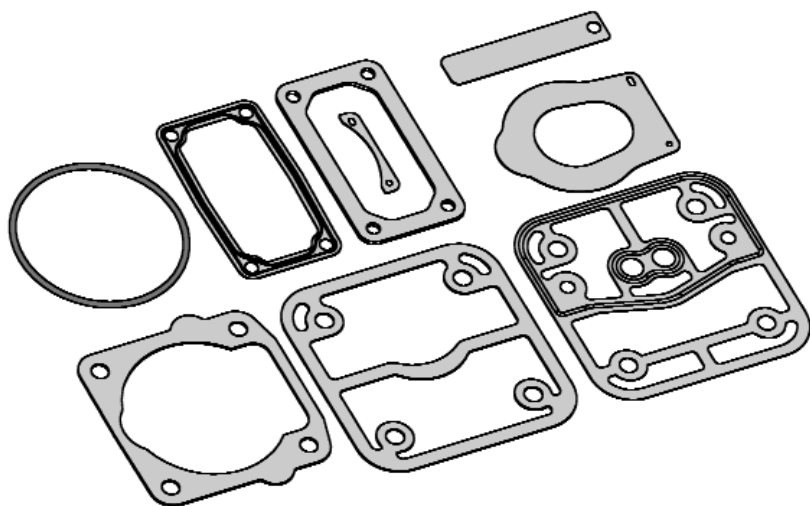
4. Service Kit Contents

Part No.	Service Kit	Suitable for Compressors:
----------	-------------	---------------------------

SEB22522

Complete Kit

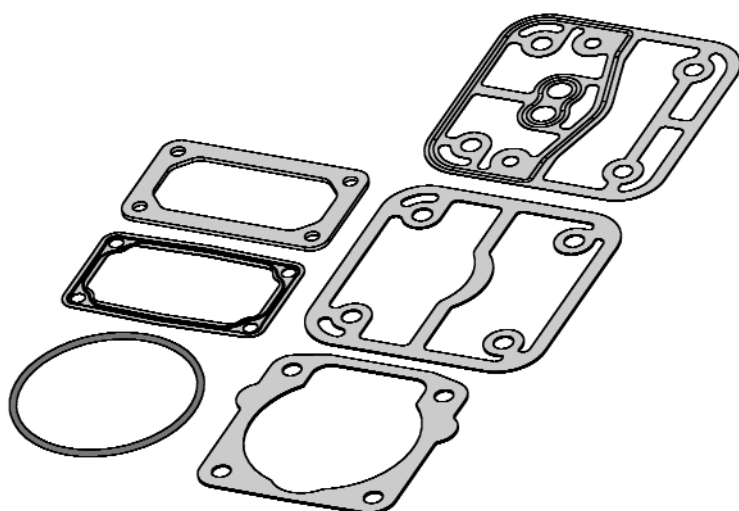
LP3832 - SEB00348
LP3833 - SEB00354
LP3843 - SEB00356
LP3852 - SEB00650
LP3857 - SEB00796
LP3860 - SEB01151
LP3861 - SEB01152



SEB22523

Gasket Kit

LP3832 - SEB00348
LP3833 - SEB00354
LP3843 - SEB00356
LP3852 - SEB00650
LP3857 - SEB00796
LP3860 - SEB01151
LP3861 - SEB01152



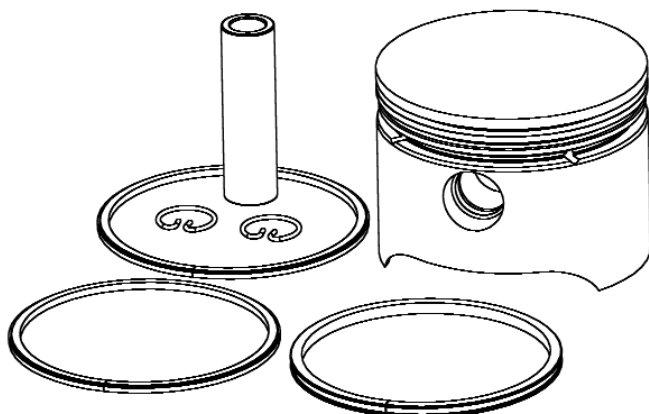
4. Service Kit Contents

Part No.	Service Kit	Suitable for Compressors:
----------	-------------	---------------------------

SEB22524

Piston Assembly - Standard Piston 65mm

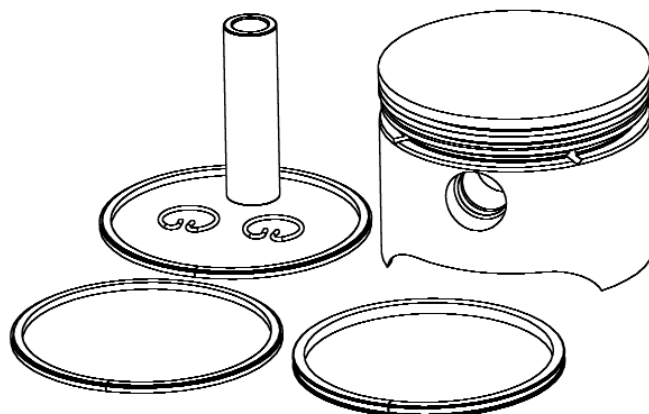
1013078000
 1013080000
 1013081000
 1013083000
 1013084000
 1013085000
 1013099000
 1013278000
 1013281000
 1013283000
 1013284000
 1013285000
 1013378000
 1013383000
 1013387000
 1013393000
 1013398000
 LP4939-SEB01154
 LP4943-SEB01158
 LP4945-SEB01160



SEB22525

Piston Assembly - Oversize Piston 65.5mm

1013078000
 1013080000
 1013081000
 1013083000
 1013084000
 1013085000
 1013099000
 1013278000
 1013281000
 1013283000
 1013284000
 1013285000
 1013378000
 1013383000
 1013387000
 1013393000
 1013398000
 LP4939-SEB01154
 LP4943-SEB01158
 LP4945-SEB01160

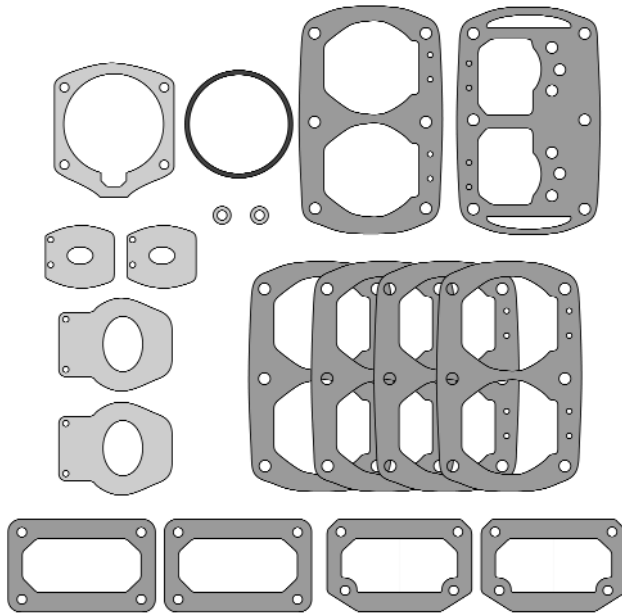


4. Service Kit Contents

Part No.	Service Kit	Suitable for Compressors:
----------	-------------	---------------------------

SEB22526

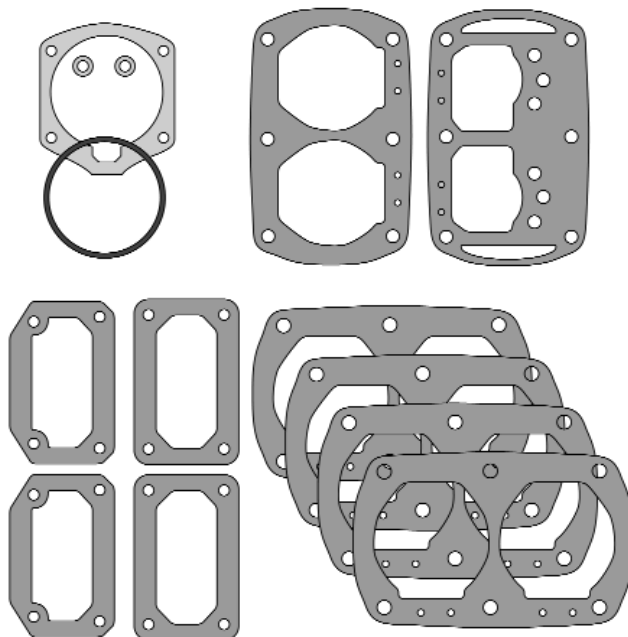
Complete Kit



1013078000
 1013080000
 1013081000
 1013083000
 1013084000
 1013085000
 1013099000
 1013278000
 1013281000
 1013283000
 1013284000
 1013285000
 1013378000
 1013383000
 1013387000
 1013393000
 1013398000
 LP4939-SEB01154
 LP4941-SEB01156
 LP4943-SEB01158
 LP4945-SEB01160

SEB22527

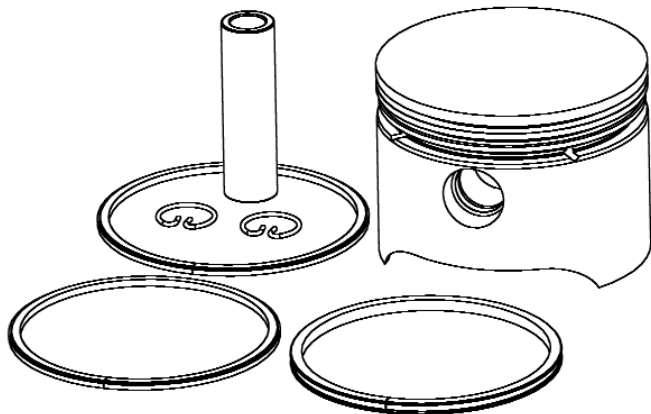
Gasket Kit



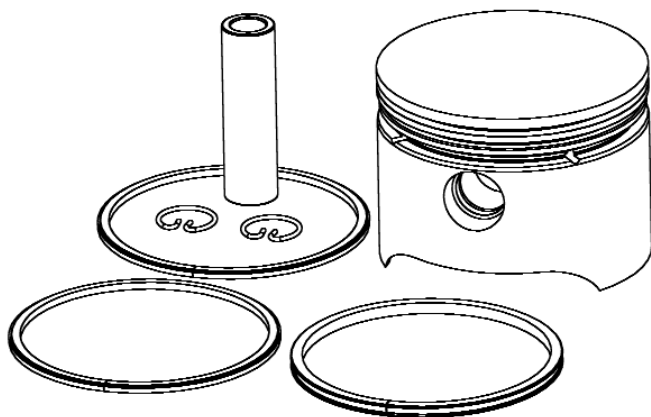
1013078000
 1013080000
 1013081000
 1013083000
 1013084000
 1013085000
 1013099000
 1013278000
 1013281000
 1013283000
 1013284000
 1013285000
 1013378000
 1013383000
 1013387000
 1013393000
 1013398000
 LP4939-SEB01154
 LP4941-SEB01156
 LP4943-SEB01158
 LP4945-SEB01160

4. Service Kit Contents

Part No.	Service Kit	Suitable for Compressors:
SEB22528	Piston Assembly - Standard Piston 65mm	LP4941-SEB01156

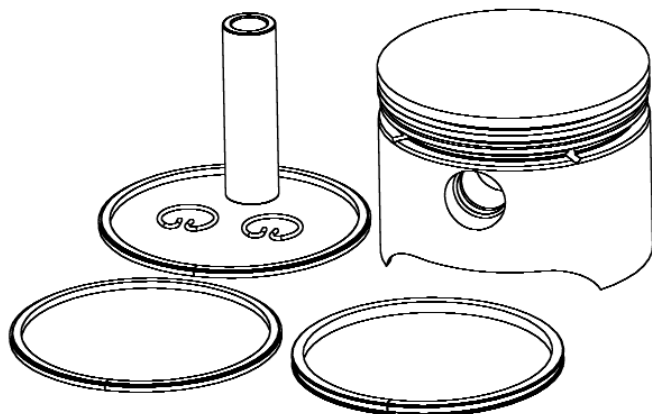


SEB22529	Piston Assembly - Oversize Piston 65.5mm	LP4941-SEB01156
----------	--	-----------------



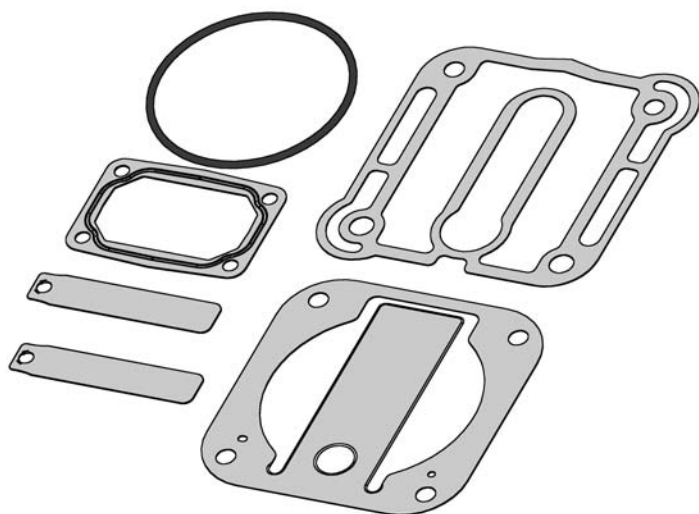
4. Service Kit Contents

Part No.	Service Kit	Suitable for Compressors:
SEB22530	Piston Assembly - Standard Piston 92mm	LK3994-SEB01580 LK3994-SEB01842 LP3977-SEB01795 LP3977-K000855 LP3970-SEB01751



SEB22532 Complete Kit

LK3994-SEB01580
LK3994-SEB01842
LP3977-SEB01795
LP3977-K000855



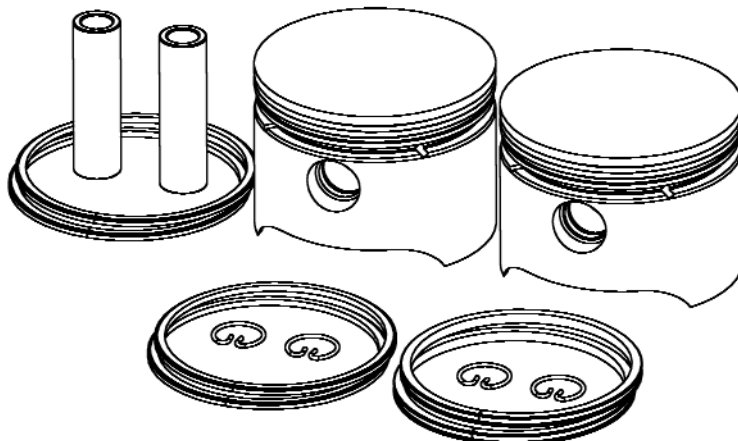
4. Service Kit Contents

Part No.	Service Kit	Suitable for Compressors:
----------	-------------	---------------------------

SEB22533

Piston Assembly - Standard Piston 70mm

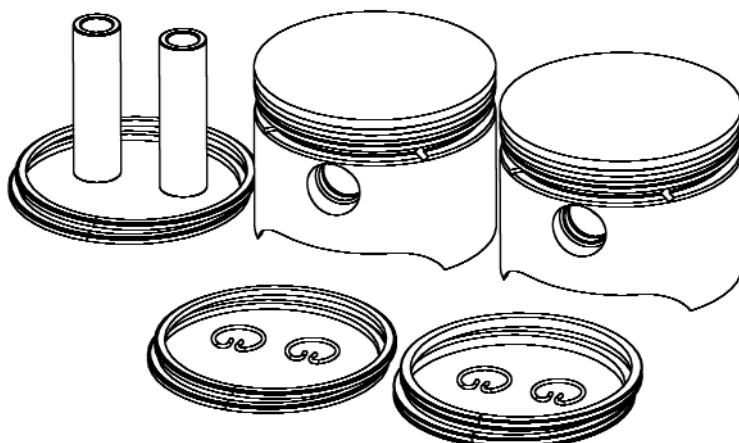
1013391000
 1013395000
 1013397000
 1013491000
 LP4818-SEB00820
 LP4940-SEB01155
 LP4942-SEB01157
 LP4944-SEB01159



SEB22534

Piston Assembly - Oversize Piston 70.5mm

1013391000
 1013395000
 1013397000
 1013491000
 LP4818-SEB00820
 LP4940-SEB01155
 LP4942-SEB01157
 LP4944-SEB01159



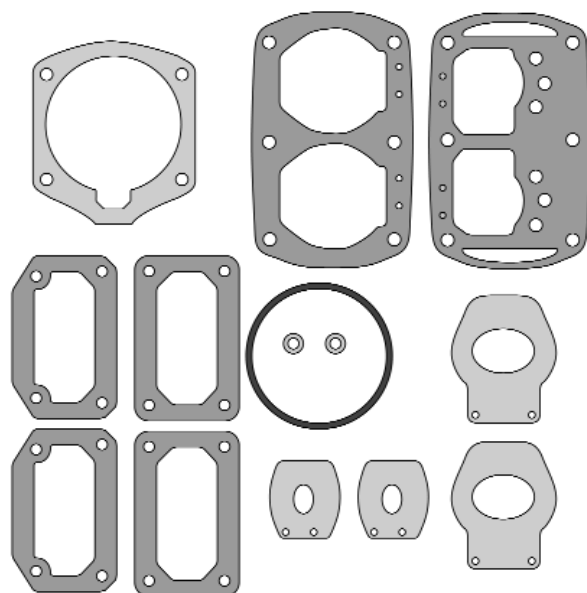
4. Service Kit Contents

Part No.	Service Kit	Suitable for Compressors:
----------	-------------	---------------------------

SEB22535

Complete Kit

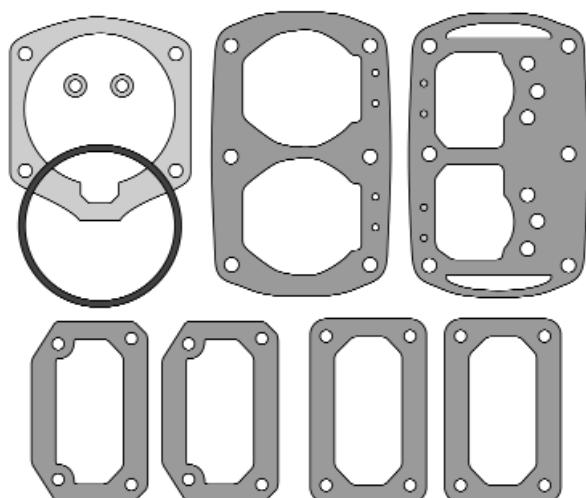
1013077000
 1013391000
 1013395000
 1013397000
 1013491000
 LP4818 - SEB00820
 LP4832 - SEB01245
 LP4940 - SEB01155
 LP4942 - SEB01157
 LP4944 - SEB01159



SEB22536

Gasket Kit

1013077000
 1013391000
 1013395000
 1013397000
 1013491000
 LP4818 - SEB00820
 LP4832 - SEB01245
 LP4940 - SEB01155
 LP4942 - SEB01157
 LP4944 - SEB01159



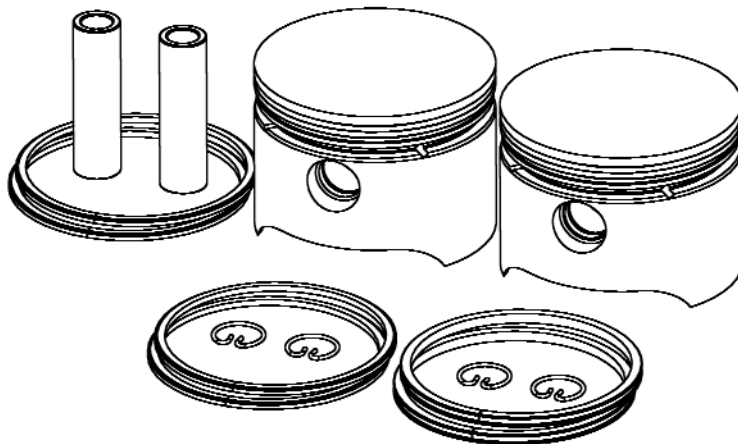
4. Service Kit Contents

Part No.	Service Kit	Suitable for Compressors:
----------	-------------	---------------------------

SEB22537

Piston Assembly - Standard Piston 70mm

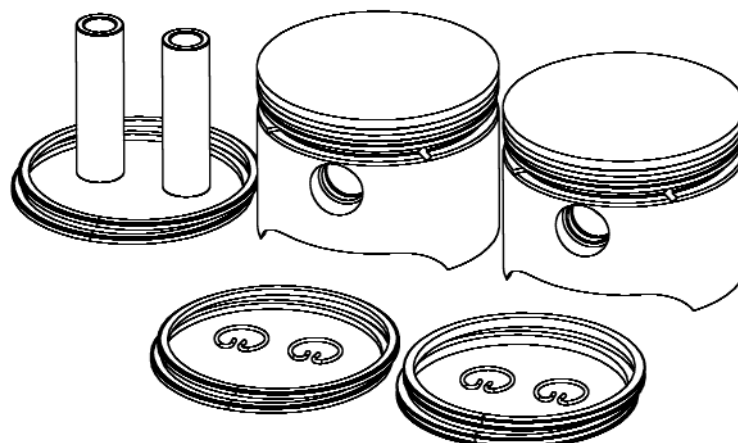
1013377000
LP4832-SEB01245



SEB22538

Piston Assembly - Oversize Piston 70.5mm

1013377000
LP4832-SEB01245



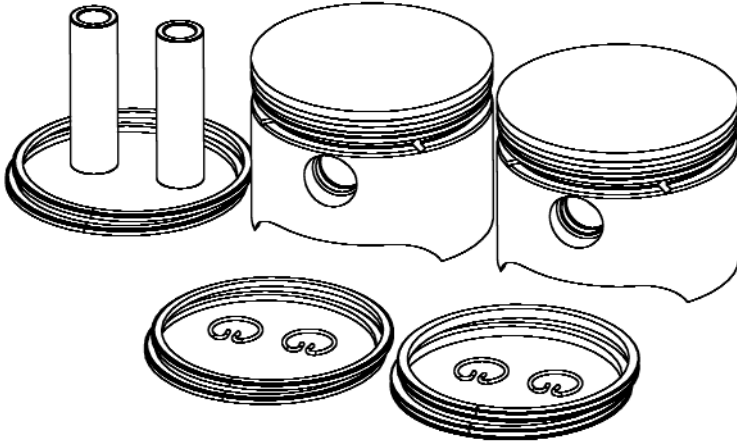
4. Service Kit Contents

Part No.	Service Kit	Suitable for Compressors:
----------	-------------	---------------------------

SEB22539

Piston Assembly - Standard Piston 75mm

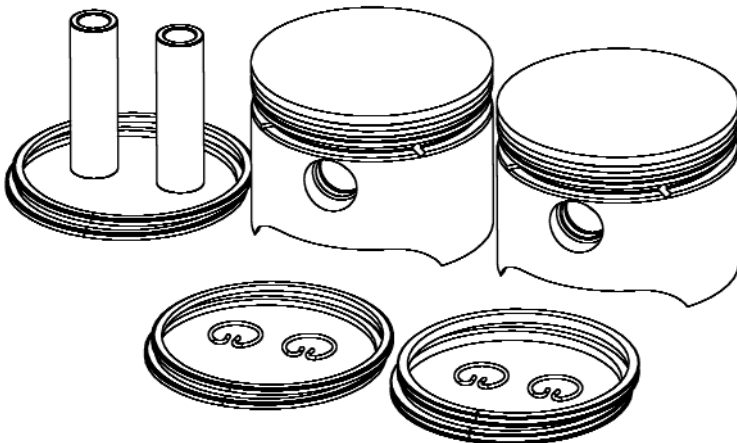
LP4812-186909
 LP4813-190499
 LP4814-197492
 LP4815-197493
 LP4823-II15697
 LP4823-II34840
 LP4823-SEB01782
 LP4825-II15993
 LP4829-II18214
 LP4830-II18599
 LP4830-II34841
 LP4830-SEB01781
 LP4842-II30901
 LP4844-II32842
 LP4850-II35564
 LP4852-SEB01588



SEB22540

Piston Assembly - Oversize Piston 75.5mm

LP4812-186909
 LP4813-190499
 LP4814-197492
 LP4815-197493
 LP4823-II15697
 LP4823-II34840
 LP4823-SEB01782
 LP4825-II15993
 LP4829-II18214
 LP4830-II18599
 LP4830-II34841
 LP4830-SEB01781
 LP4842-II30901
 LP4844-II32842
 LP4850-II35564
 LP4852-SEB01588



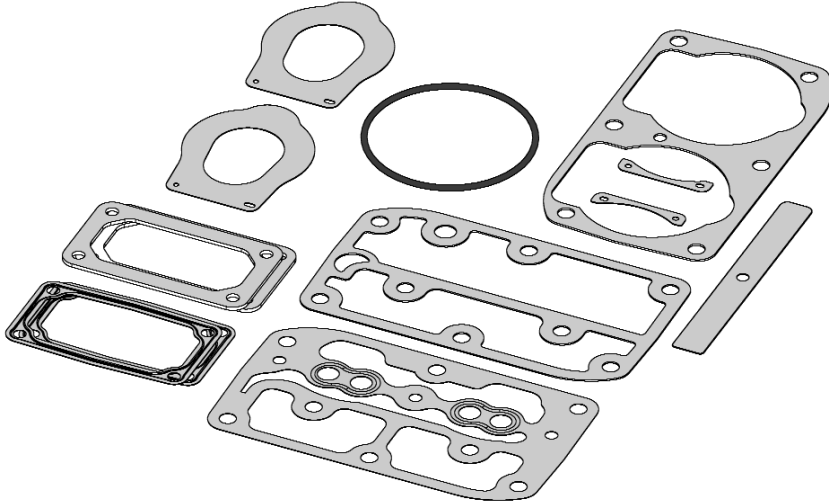
4. Service Kit Contents

Part No.	Service Kit	Suitable for Compressors:
----------	-------------	---------------------------

SEB22541

Complete Kit

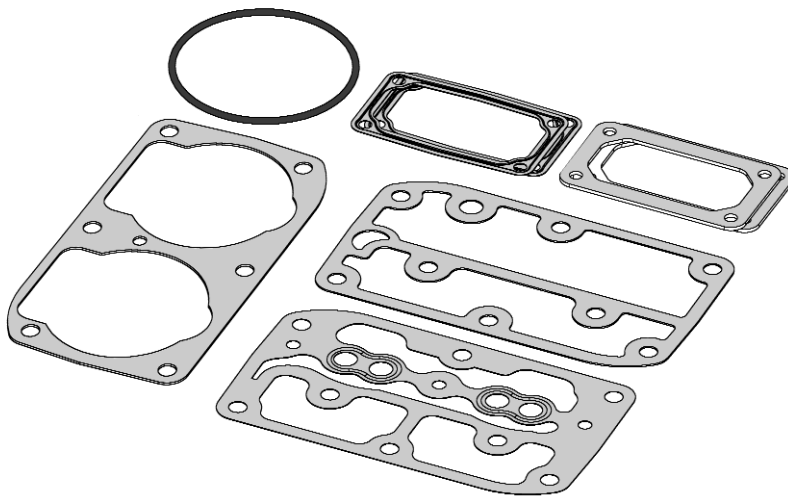
LP4812-I86909
LP4813-I90499
LP4814-I97492
LP4815-I97493
LP4842-II30901
LP4844-II32842
LP4852-SEB01588



SEB22542

Gasket Kit

LP4812-I86909
LP4813-I90499
LP4814-I97492
LP4815-I97493
LP4842-II30901
LP4844-II32842
LP4852-SEB01588



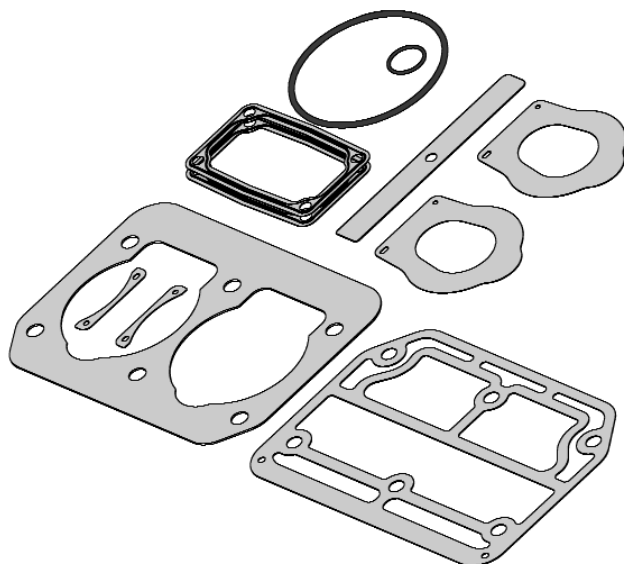
4. Service Kit Contents

Part No.	Service Kit	Suitable for Compressors:
----------	-------------	---------------------------

SEB22543

Complete Kit

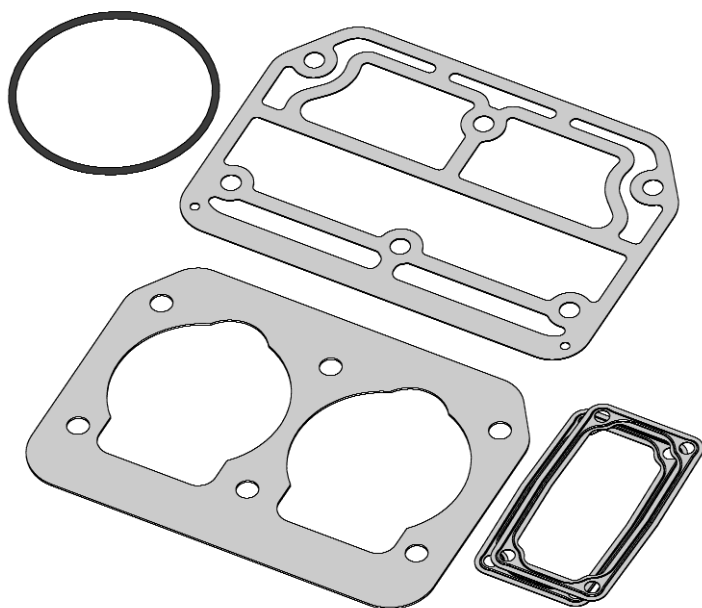
LP4823-II15697
 LP4823-II34840
 LP4823-SEB01782
 LP4830-II18599
 LP4830-II34841
 LP4830-SEB01781
 LP4850-II35564



SEB22544

Gasket Kit

LP4823-II15697
 LP4823-II34840
 LP4823-SEB01782
 LP4830-II18599
 LP4830-II34841
 LP4830-SEB01781
 LP4850-II35564



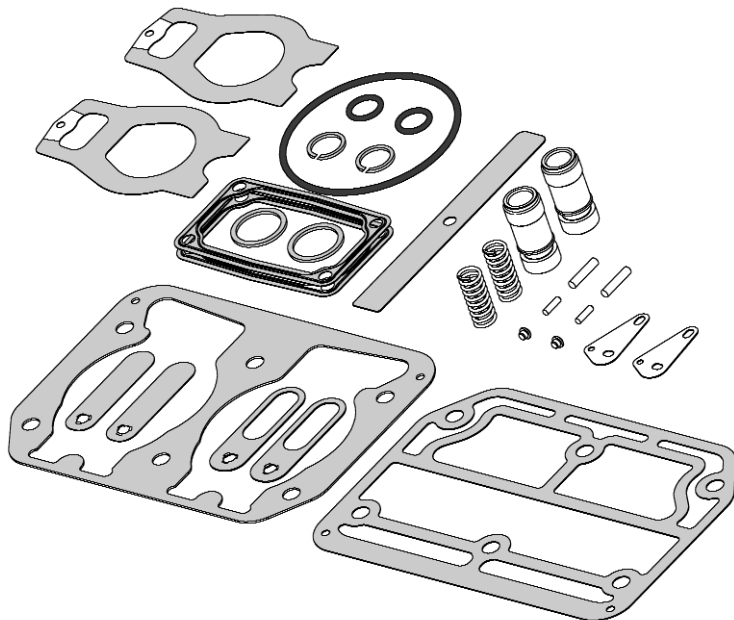
4. Service Kit Contents

Part No.	Service Kit	Suitable for Compressors:
----------	-------------	---------------------------

SEB22545

Complete Kit

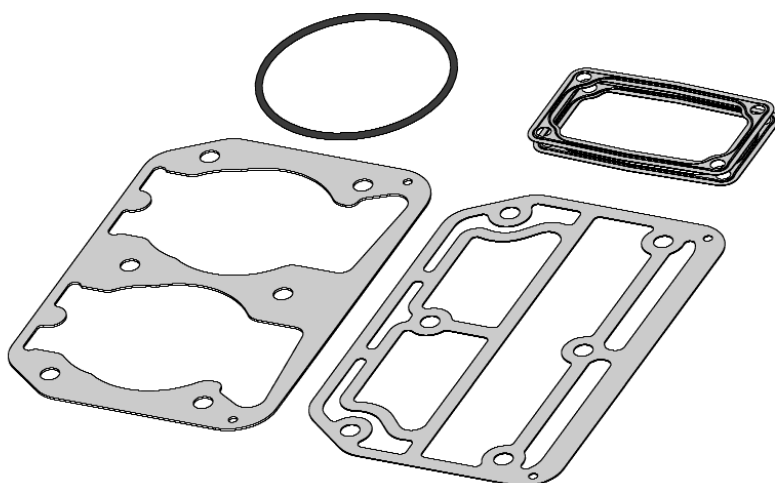
LP4825 - II15993
LP4829 - II18214



SEB22546

Gasket Kit

LP4825 - II15993
LP4829 - II18214



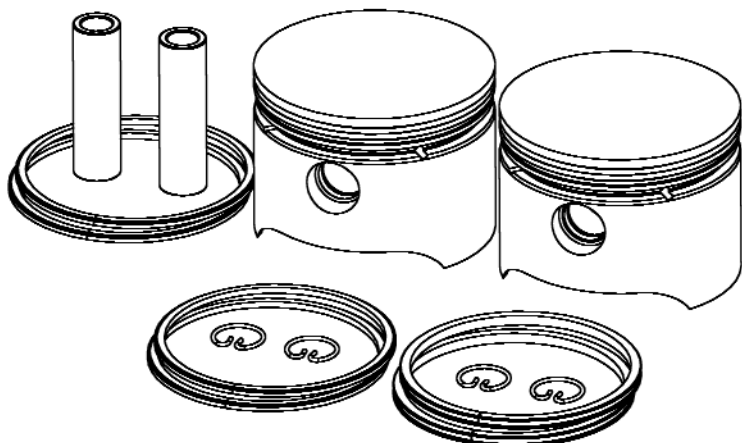
4. Service Kit Contents

Part No.	Service Kit	Suitable for Compressors:
----------	-------------	---------------------------

SEB22547

Piston Assembly - Standard Piston 86mm

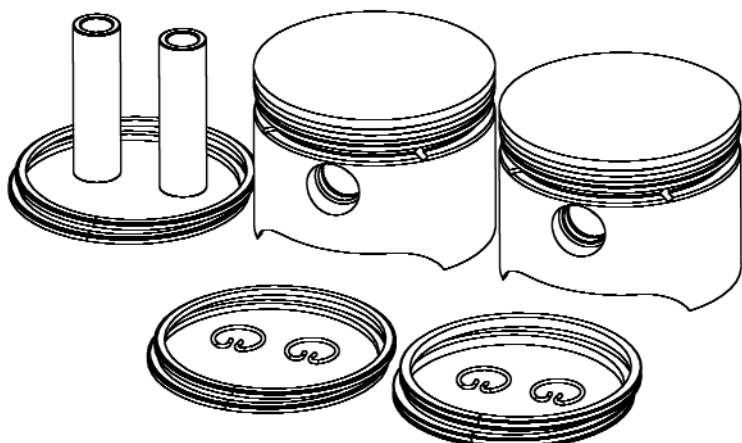
LP4857-K000821



SEB22548

Piston Assembly - Oversize Piston 86.5mm

LP4857-K000821



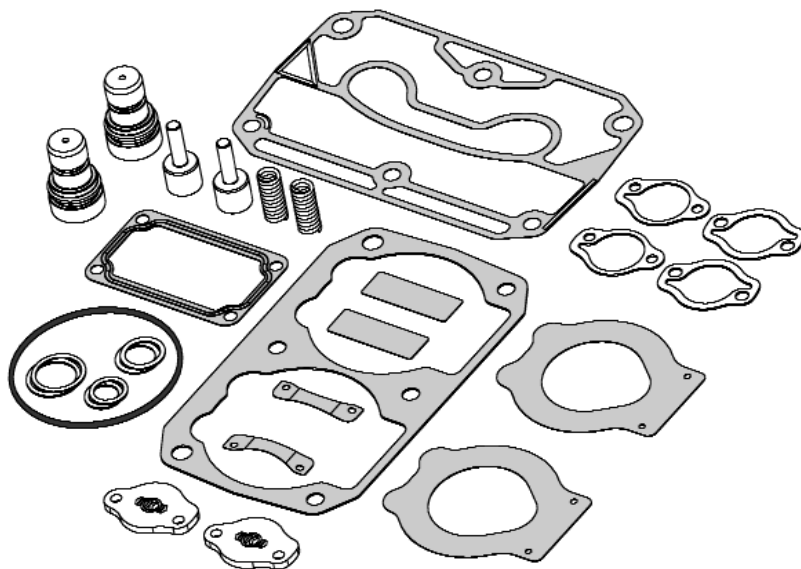
4. Service Kit Contents

Part No.	Service Kit	Suitable for Compressors:
----------	-------------	---------------------------

SEB22549

Complete Kit

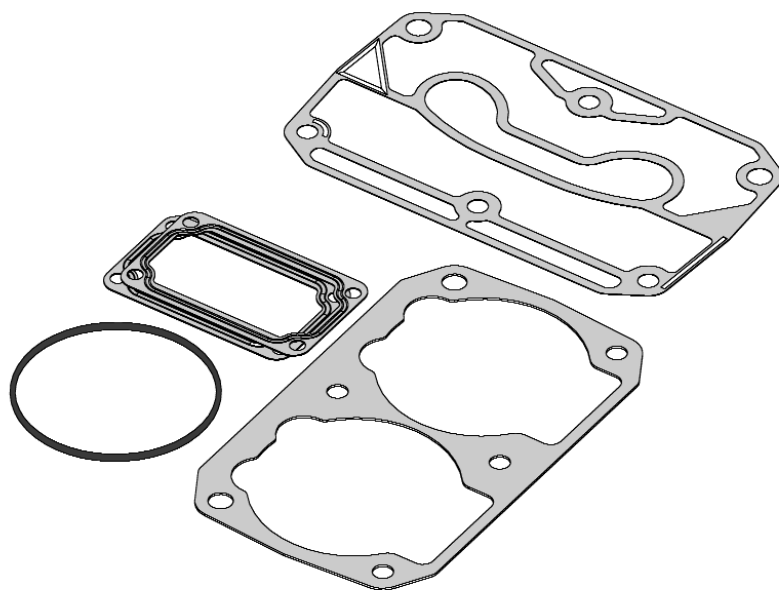
1194410
 1194415
 LP4857-K000821
 LP4857-K002140
 LK4936-K001126
 LK4935-K001207
 LK4935-K002123



SEB22550

Gasket Kit

1194410
 1194415
 1194421
 1194487
 LK4857-K000821
 LP4857-K002140
 LK4936-K001126
 LK4935-K001207
 LK4935-K002123
 LK4937-K001127
 LK4952-K002120

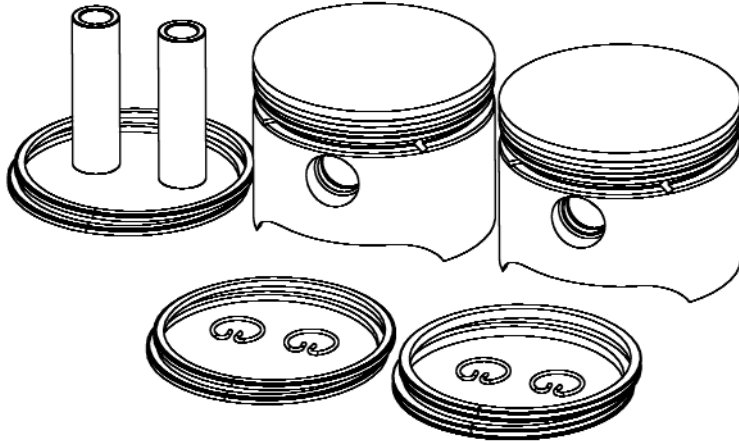


4. Service Kit Contents

Part No.	Service Kit	Suitable for Compressors:
----------	-------------	---------------------------

SEB22551

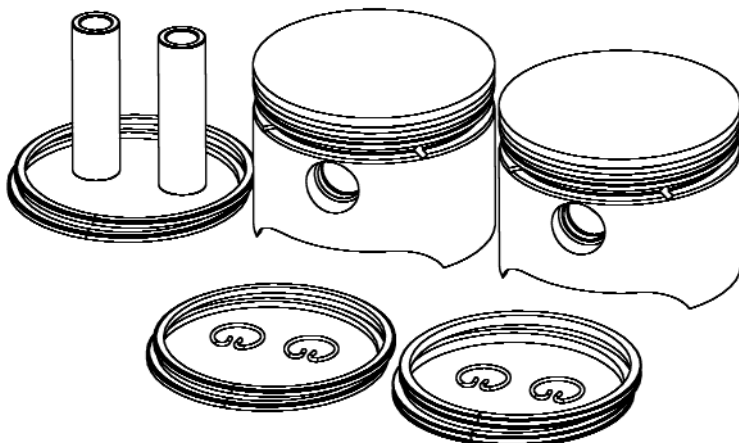
Piston Assembly - Standard Piston 78mm



LP4819-SEB00836
 LP4819-SEB01441
 LP4827-SEB01161
 LP4827-SEB01452
 LP4828-SEB01185
 LP4828-SEB01463
 LP4831-SEB01246
 LP4831-SEB01474
 LP4833-SEB01250
 LP4833-SEB01485
 LP4838-SEB01297
 LP4838-SEB01496
 LP4840-SEB01392
 LP4840-SEB01472
 LP4843-SEB01430
 LP4845-SEB01455
 LP4846-SEB01478
 LP4846-SEB01527
 LP4848-SEB01479
 LP4849-SEB01480
 LP4851-SEB01545
 LP4853-SEB01619
 LP4855-SEB01747

SEB22552

Piston Assembly - Oversize Piston 78.5mm



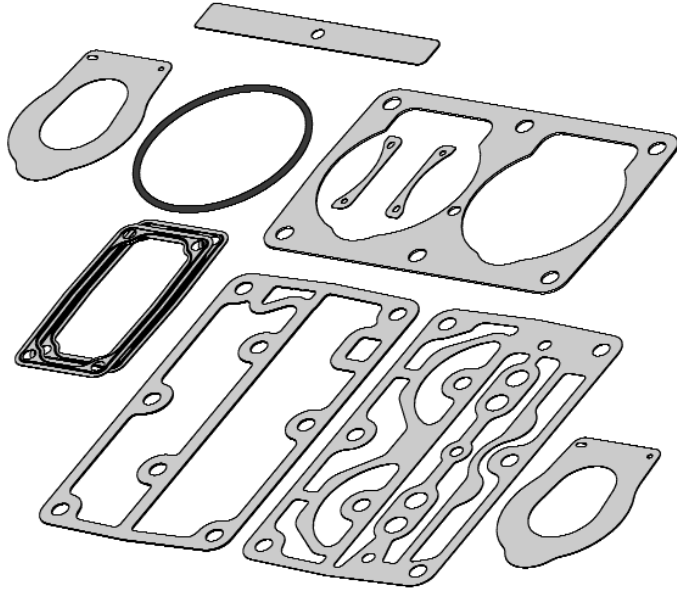
LP4819-SEB00836
 LP4819-SEB01441
 LP4827-SEB01161
 LP4827-SEB01452
 LP4828-SEB01185
 LP4828-SEB01463
 LP4831-SEB01246
 LP4831-SEB01474
 LP4833-SEB01250
 LP4833-SEB01485
 LP4838-SEB01297
 LP4838-SEB01496
 LP4840-SEB01392
 LP4840-SEB01472
 LP4843-SEB01430
 LP4845-SEB01455
 LP4846-SEB01478
 LP4846-SEB01527
 LP4848-SEB01479
 LP4849-SEB01480
 LP4851-SEB01545
 LP4853-SEB01619
 LP4855-SEB01747

4. Service Kit Contents

Part No.	Service Kit	Suitable for Compressors:
----------	-------------	---------------------------

SEB22553

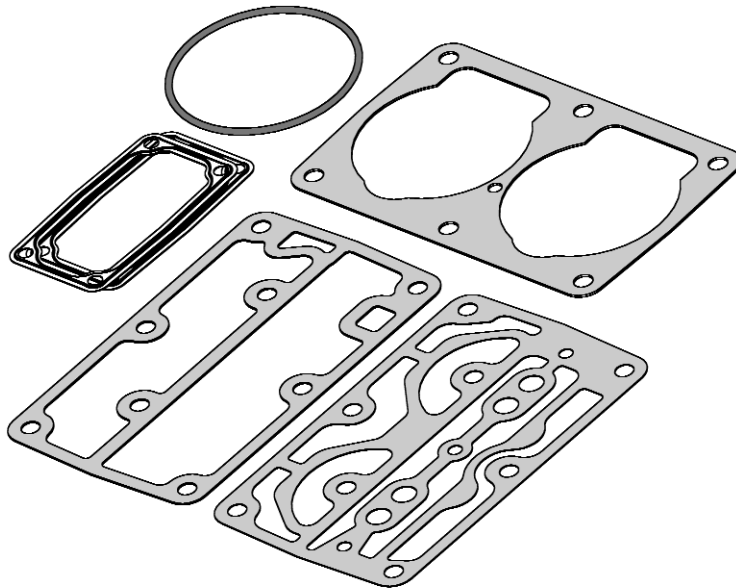
Complete Kit



LP4819-SEB00836
 LP4819-SEB01441
 LP4827-SEB01161
 LP4827-SEB01452
 LP4828-SEB01185
 LP4828-SEB01463
 LP4831-SEB01246
 LP4831-SEB01474
 LP4833-SEB01250
 LP4833-SEB01485
 LP4838-SEB01297
 LP4838-SEB01496
 LP4840-SEB01392
 LP4840-SEB01472
 LP4843-SEB01430
 LP4845-SEB01455
 LP4846-SEB01478
 LP4846-SEB01527
 LP4848-SEB01479
 LP4849-SEB01480
 LP4851-SEB01545
 LP4853-SEB01619

SEB22554

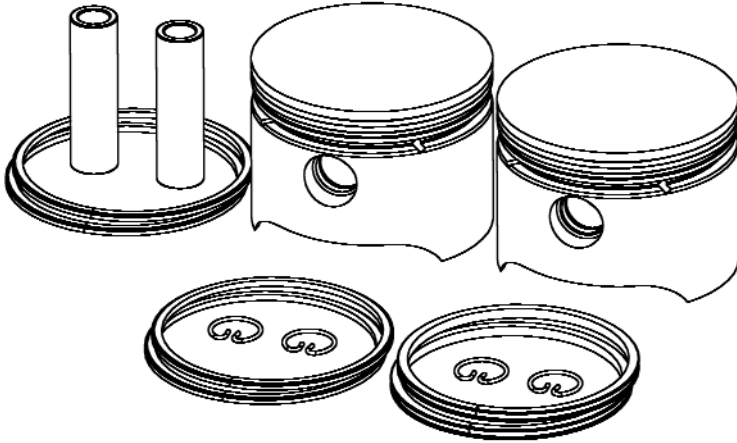
Gasket Kit



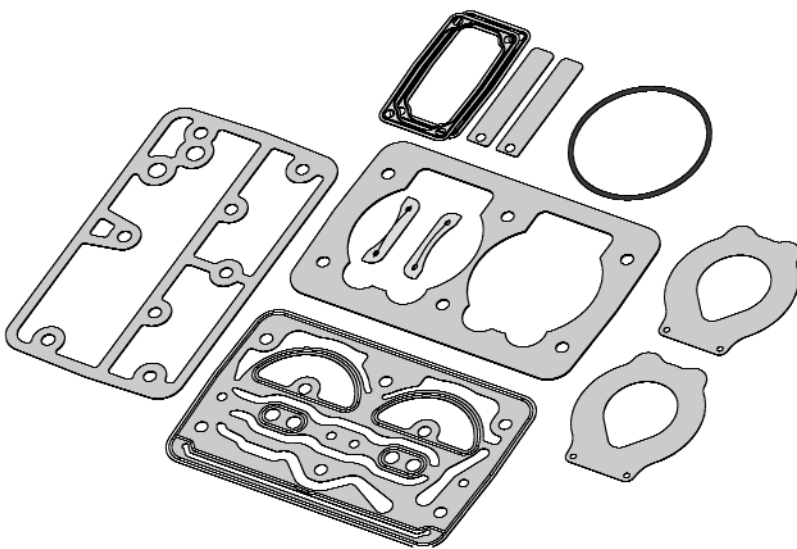
LP4819-SEB00836
 LP4819-SEB01441
 LP4827-SEB01161
 LP4827-SEB01452
 LP4828-SEB01185
 LP4828-SEB01463
 LP4831-SEB01246
 LP4831-SEB01474
 LP4833-SEB01250
 LP4833-SEB01485
 LP4838-SEB01297
 LP4838-SEB01496
 LP4840-SEB01392
 LP4840-SEB01472
 LP4843-SEB01430
 LP4845-SEB01455
 LP4846-SEB01478
 LP4846-SEB01527
 LP4848-SEB01479
 LP4849-SEB01480
 LP4851-SEB01545
 LP4853-SEB01619

4. Service Kit Contents

Part No.	Service Kit	Suitable for Compressors:	
SEB22555	Piston Assembly - Standard Piston 88mm	LK4918-K001267 LK4919-K000231 LK4920-K000232 LK4921-K000233 LK4921-K001268 LK4922-K000234 LK4927-II39253F LP4930-II15698 LP4934-II15992 LP4934-II30895 LP4936-II16243 LP4948-II19187 LP4949-II19191 LP4955-II31730 LP4957-II17395 LP4960-II30899 LP4960-K000237 LP4961-II30900 LP4962-II31955 LP4963-II32686 LP4964-II32687 LP4965-II32688 LP4966-II32689 LP4967-II33164 LP4968-II33514 LP4969-II34404	LP4970-II34405 LP4974-II37214 LP4974-K000236 LP4977-II37369 LP4977-SEB01725 LP4980-II47436 LP4981-II37437 LP4983-SEB01784 LP4984-SEB01783 LP4985-K000229 LP4986-II37953 LP4988-II37958 LP4989-II37142F LP4990-II38145F LP4991-II38776F LP4992-II38777F LP4992-K000235 LP4993-II38779F LP4995-II38844F LP4996-II38845F LP4997-II38846F LP4998-SEB01674 LP4999-SEB01676 LP4999-SEB01677 LP4999-SEB01678



SEB22556	Complete Kit	LK4918-K000230 LK4918-K001267 LK4919-K000231 LK4920-K000232 LK4921-K000233 LK4921-K001268 LK4927-II39253F LP4969-II34404 LP4970-II34405 LP4983-SEB01784 LP4984-SEB01783 LP4985-K000229 LP4986-II37953 LP4988-II37958 LP4989-II37142F LP4991-II38776F LP4992-II38777F LP4992-K000235 LP4993-II38779F LP4995-II38844F LP4996-II38845F	
-----------------	---------------------	---	--

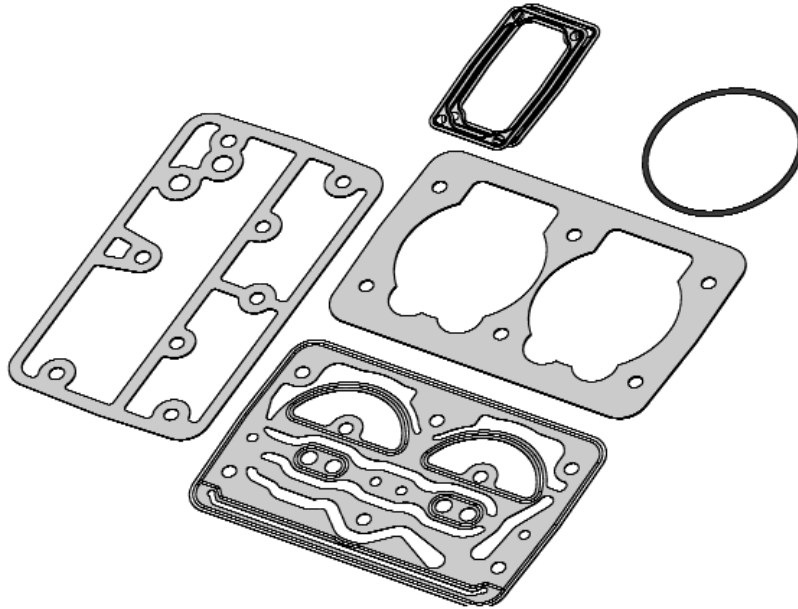


4. Service Kit Contents

Part No.	Service Kit	Suitable for Compressors:
----------	-------------	---------------------------

SEB22557

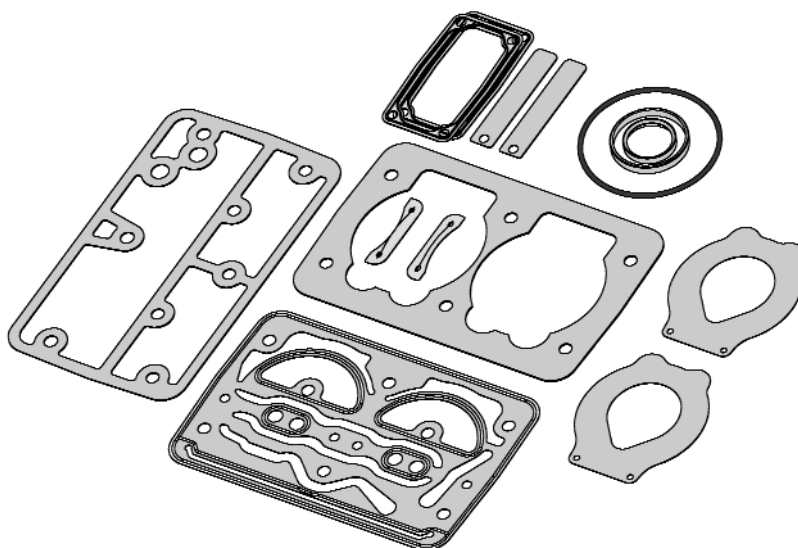
Gasket Kit



LK4918-K000230
 LK4918-K001267
 LK4919-K000231
 LK4920-K000232
 LK4921-K000233
 LK4921-K001268
 LK4927-II39253F
 LP4969-II34404
 LP4970-II34405
 LP4983-SEB01784
 LP4984-SEB01783
 LP4985-K000229
 LP4986-II37953
 LP4988-II37958
 LP4989-II37142F
 LP4991-II38776F
 LP4992-II38777F
 LP4992-K000235
 LP4993-II38779F
 LP4995-II38844F
 LP4996-II38845F

SEB22558

Complete Kit



LK4922-K000234
 LP4990-II38145F
 LP4997-II38846F

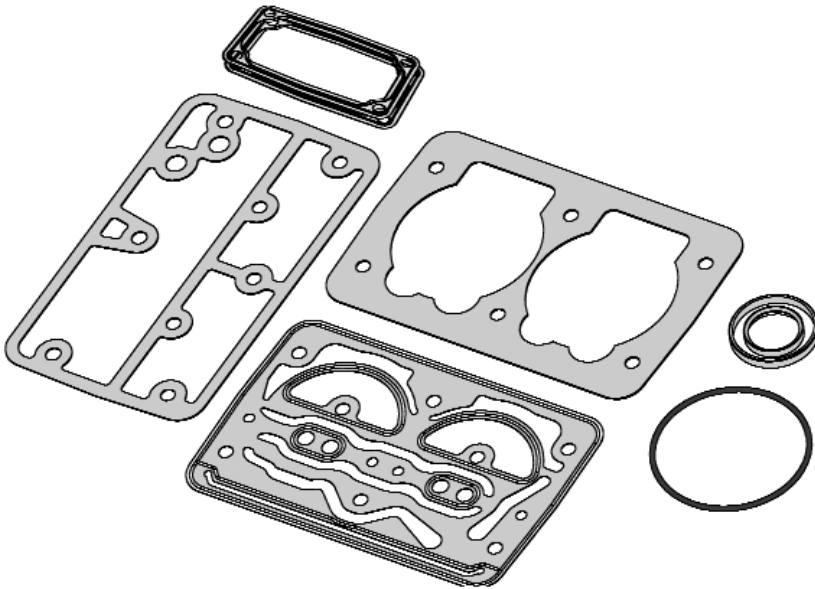
4. Service Kit Contents

Part No.	Service Kit	Suitable for Compressors:
----------	-------------	---------------------------

SEB22559

Gasket Kit

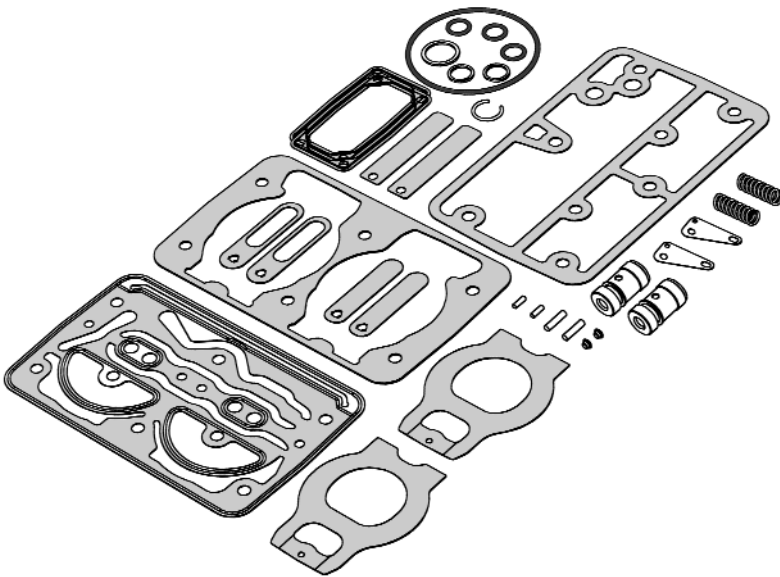
LK4922-K000234
LP4990-II38145F
LP4997-II38846F



SEB22560

Complete Kit

LP4930-II15698
LP4934-II15992
LP4934-II30895
LP4936-II16243
LP4948-II19187
LP4955-II31730
LP4957-II17395
LP4960-II30899
LP4960-K000237
LP4961-II30900
LP4962-II31955
LP4963-II32686
LP4964-II32687
LP4965-II32688
LP4966-II32689
LP4967-II33164
LP4968-II33514
LP4974-II37214
LP4974-K000236
LP4977-II37369
LP4977-SEB01725
LP4979-II19191
LP4980-II47436
LP4981-II37437
LP4998-SEB01674
LP4999-SEB01676
LP4999-SEB01677
LP4999-SEB01678

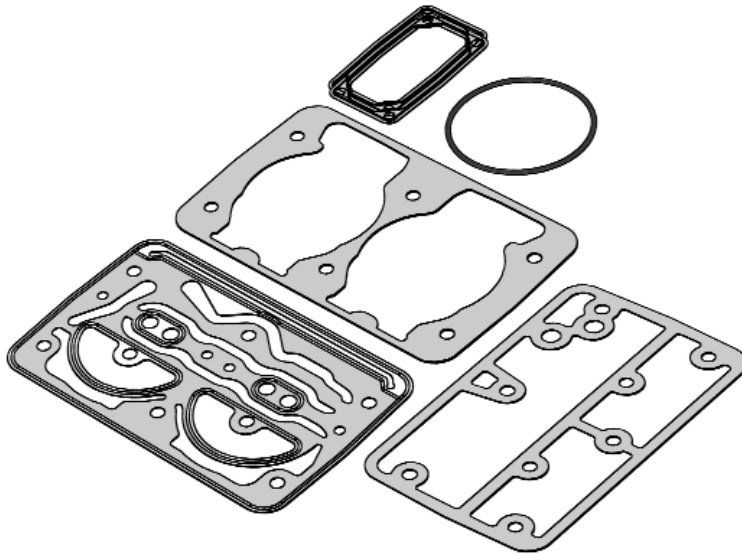


4. Service Kit Contents

Part No.	Service Kit	Suitable for Compressors:
----------	-------------	---------------------------

SEB22561

Gasket Kit



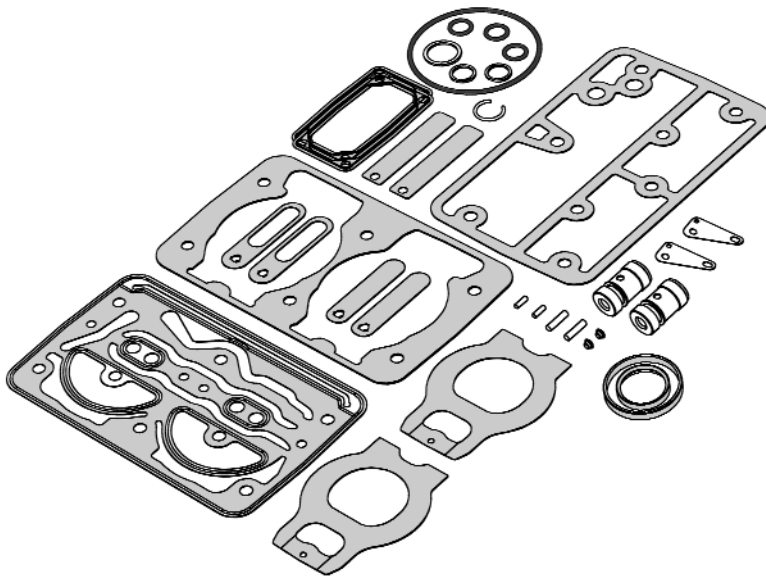
LP49LP30-II15698
 LP4934-II15992
 LP4934-II30895
 LP4936-II16243
 LP4948-II19187
 LP4955-II31730
 LP4957-II17395
 LP4960-II30899
 LP4960-K000237
 LP4961-II30900
 LP4962-II31955
 LP4963-II32686
 LP4964-II32687
 LP4965-II32688
 LP4966-II32689
 LP4967-II33164
 LP4968-II33514
 LP4974-II37214
 LP4974-K000236
 LP4977-II37369
 LP4977-SEB01725
 LP4979-II19191
 LP4980-II47436
 LP4981-II37437
 LP4998-SEB01674

LP4999-SEB01676
 LP4999-SEB01677
 LP4999-SEB01678

SEB22562

Complete Kit

LP4949-II19191



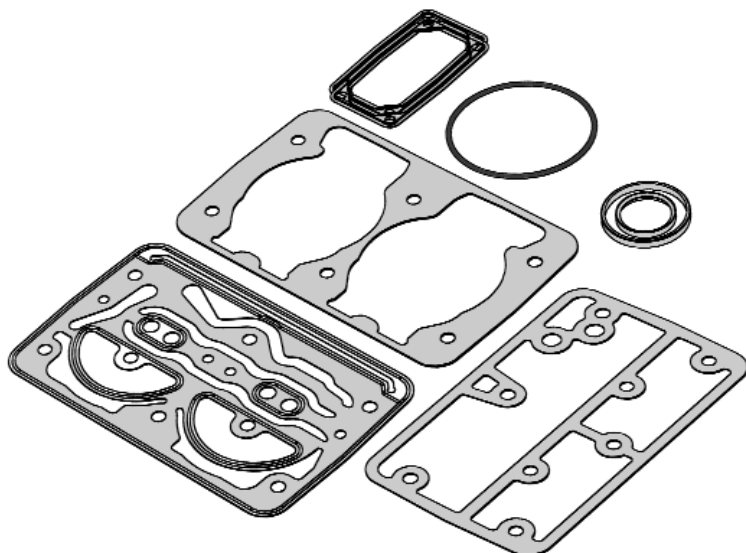
4. Service Kit Contents

Part No.	Service Kit	Suitable for Compressors:
----------	-------------	---------------------------

SEB22563

Gasket Kit

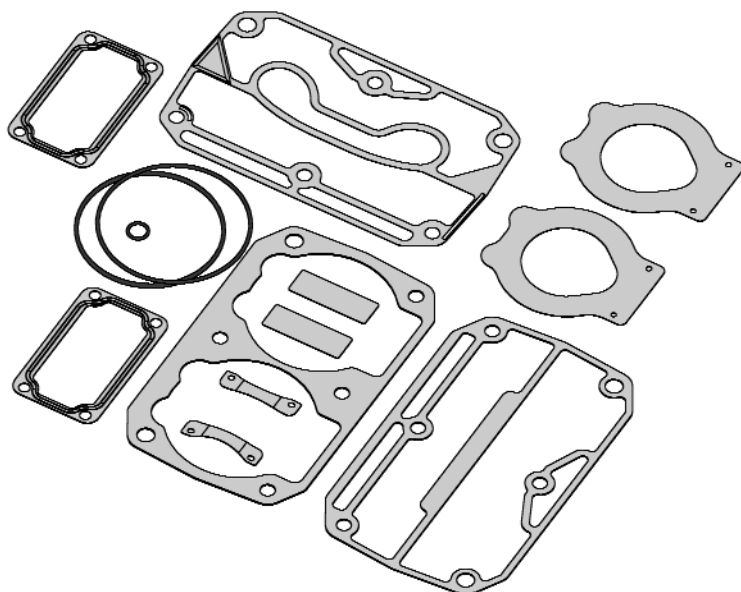
LP4949-II19191



SEB22569

Complete Kit

1194233
 1194275
 1194357
 1194425
 1194430
 1194454
 1194455
 1194456
 1194458
 LP4858-K001095



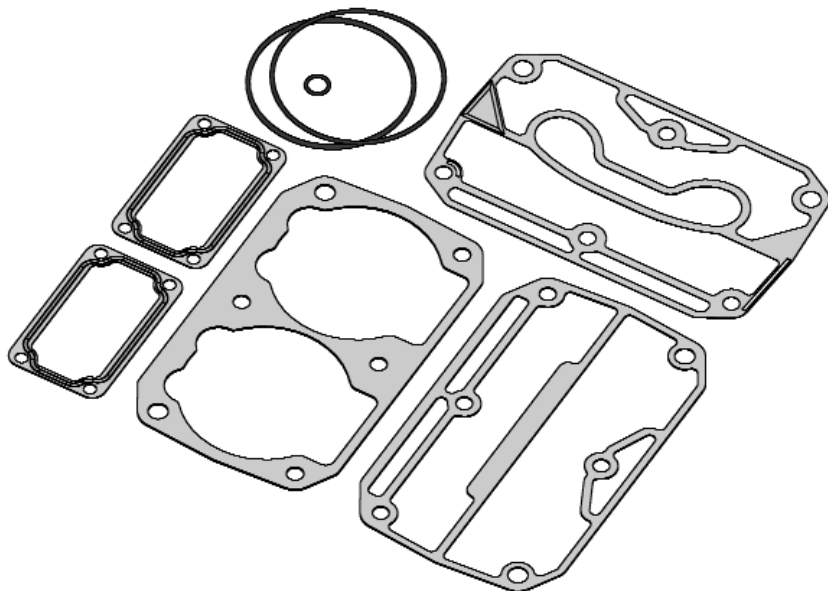
4. Service Kit Contents

Part No.	Service Kit	Suitable for Compressors:
----------	-------------	---------------------------

SEB22570

Gasket Kit

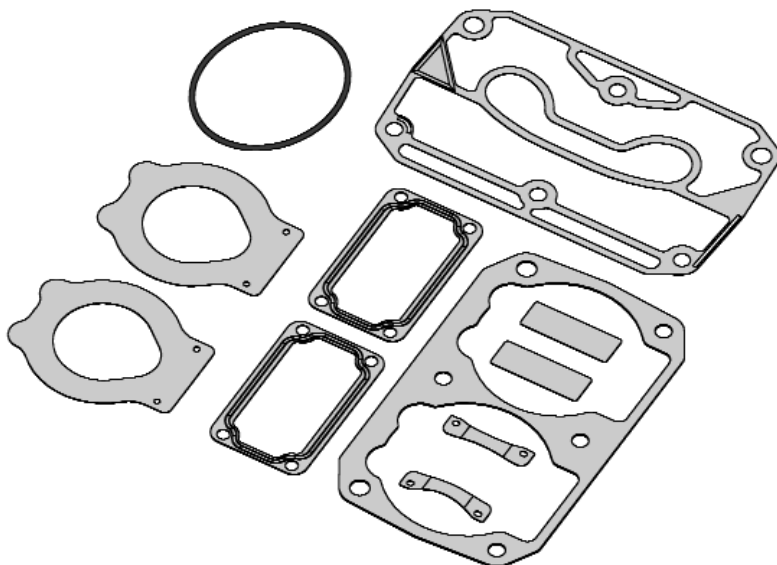
1194233
 1194275
 1194357
 1194425
 1194430
 1194454
 1194455
 1194456
 1194458
 LP4858-K001095



SEB22571

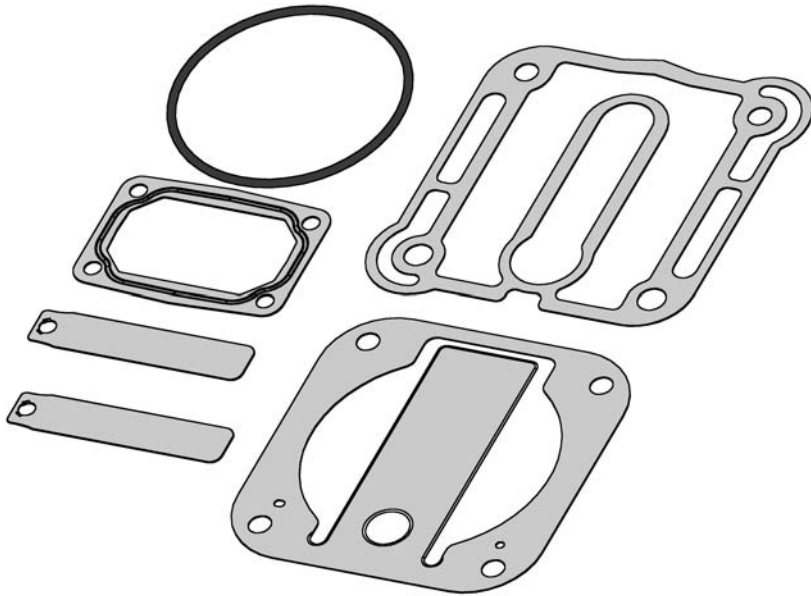
Complete Kit

1194421
 1194487
 LK4937-K001127
 LK4952-K002120



4. Service Kit Contents

Part No.	Service Kit	Suitable for Compressors:
SEB22593	Complete Kit	LP3970-SEB01751



Notes

► **Knorr-Bremse**
Systeme für Nutzfahrzeuge GmbH
Moosacher Straße 80
80809 Munich
Germany
Tel: +49 89 3547-0
Fax: +49 89 3547-2767

► **Knorr-Bremse**
Australia Pty. Ltd.
1/2D Factory Street
PO Box 180
Granville NSW 2142
Australia
Tel: +61 1300 309-991
Fax: +61 2 8863-6151

► **Knorr-Bremse GmbH**
Systeme für Nutzfahrzeuge
Beethovengasse 43-45
2340 Mödling
Austria
Tel: +43 2236 409-436
Fax: +43 2236 409-434

► **Knorr-Bremse**
Benelux B.V.B.A.
Impulsstraat 11
Industriepark zone D
2220 Heist-op-den-Berg
Belgium
Tel: +32 1525-7900
Fax: +32 1524-9240

► **Knorr-Bremse**
Sistemas para Veículos Comerciais Brasil Ltda.
Av. Engenheiro Eusébio Stevaux, 873
Jurubatuba
São Paulo - SP
Cep: 04696-902
Brazil
Tel: +55 11 5681-1104
Fax: +55 11 5686-3905

► **Knorr-Bremse Far East Ltd.**
Truck Brake Systems Division
Suite 2901, 29/F., Central Plaza
18 Harbour Road
Wanchai
Hong Kong
China
Tel: +852 2861 2669
Fax: +852 2520 6259

► **Knorr-Bremse Brake Equipment (Shanghai) Co. Ltd.**
Truck Brake Systems Division
Section A, Building 31
390 Aidu Road
Waigaoqiao Free Trade Zone
Shanghai, 200131
China
Tel: +86 21 5046-0776
Fax: +86 21 5046-3427

► **Knorr-Bremse**
Systemy pro užitková vozidla, ČR, s.r.o.
Petra Bezruč 399
463 62 Hejnice
Czech Republic
Tel: +420 482 363-611
Fax: +420 482 363-711

► **Knorr-Bremse**
Systèmes pour Véhicules Utilitaires France S.A.
BP 34178
RN 13, La Briquerie
Glos
14104 Lisieux Cedex
France
Tel: +33 2 3132-1200
Fax: +33 2 3132-1303

► **Hasse & Wrede GmbH**
Georg-Knorr-Straße 4
12681 Berlin
Germany
Tel: +49 30 9392-3101
Fax: +49 30 7009-0811

► **Knorr-Bremse**
Fékkendzszerek Kft.
Kecskemét
Szege di út 49
6000
Hungary
Tel: +36 76 511-100
Fax: +36 76 481-100

► **Knorr-Bremse**
Systems for Commercial Vehicles India Private Ltd.
62 Buena Monte
Survey No 37/3
Pashan
Pune 411 008
India
Tel: +91 20 5621 4483-87
Fax: +91 20 2589 8200

► **Knorr-Bremse**
Sistemi per Autoveicoli Commerciali S.p.A.
Via C. Battisti, 68
20043 Arcore
Italy
Tel: +39 039 6075-1
Fax: +39 039 6075-435

► **Knorr-Bremse**
Commercial Vehicle Systems Japan Ltd.
3-1-15, Nishiikebukuro
Toshima-ku
Tokyo 171 0021
Japan
Tel: +81 3 3971-8501
Fax: +81 3 3971-8579

► **Knorr-Bremse Korea Ltd.**
Truck Brake Division
6 FL, Bongwoo B/D, 31-7, 1-Ga
Jangchung-Dong, Jung-Gu
Seoul 100-391
Korea
Tel: +82 2 2273-1182
Fax: +82 2 2273-1184

► **Knorr-Bremse**
Benelux B.V.B.A.
Rendementsweg 4N
3641 SK Mydrecht
Netherlands
Tel: +31 297 239-330
Fax: +31 297 239-339

► **Knorr-Bremse**
Systeme für Nutzfahrzeuge GmbH
Representation Office Russia
1. Kasatschij Pereulok 5/2
119017 Moscow
Russian Federation
Tel: +7 095 234-4995
Fax: +7 095 234-4996

► **Knorr-Bremse S.A. Pty. Ltd.**
3 Derrick Road
(corner Chestnut Road)
1610 Kempton Park
South Africa
Tel: +27 11 961-7800
Fax: +27 11 975-8249

► **Bost Ibérica, S.L.**
Avda. Letxunborro 58
Apdo. 363
20303 Irun
Spain
Tel: +34 902 100 569
Fax: +34 943 614 063

► **Knorr-Bremse**
System for Tunga Fordon AB
P.O. Box 6029
200 11 Malmö
Sweden
Tel: +46 40 680 5880
Fax: +46 40 937490

► **Knorr-Bremse**
Systeme für Nutzfahrzeuge GmbH
Office Switzerland
Zürichstrasse 46
8303 Bassersdorf
Switzerland
Tel: +41 1 888 77-55
Fax: +41 1 888 77-50

► **Knorr-Bremse**
Systeme für Nutzfahrzeuge GmbH
Liaison Office Istanbul
Meclisi Mebusan Cad. 139/A
Atlantik Han Kat: 3
80040 Findikli-Istanbul
Turkey
Tel: +90 212 293-4742
Fax: +90 212 293-4743

► **Knorr-Bremse**
Systems for Commercial Vehicles Ltd.
Century House, Folly Brook Road
Emerald Park, Emersons Green
Bristol
BS16 7FE
United Kingdom
Tel: +44 117 9846-100
Fax: +44 117 9846-101

► **Bendix Commercial Vehicle Systems LLC**
901 Cleveland Street
Elyria, OH 44035
USA
Tel: +1 440 329-9000
Fax: +1 440 329-9203

